



SUBMITTAL DATA

JOB/CUSTOMER:	SUBMITTED BY:
ENGINEER:	APPROVED BY:
CONTRACTOR:	ORDER NO:
SPECIFICATION REFERENCE:	



DESCRIPTION

With the HWB-LED-S Button, the user interfaces with the ACT D'MAND Kontrols® System by simply pushing the Button, before using hot water. This has a modern semi-flush mount design and can be plated (not included) or panel mounted. This Button will illuminate when the ACT D'MAND Kontrols® System is activated and will stay illuminated until the System shuts down.

INCLUDES

The Original D'MAND KONTROLS® System Standard package comes with:
 (1) Hardwired LED Button with Illuminated Ring (1) HWB-CH-LED/LED-S Instructions (2) Wire Nuts

TECHNICAL DATA

2-WIRE WIRING is done in parallel or "home run" from each Button back to the ACT D'MAND Kontrols® System.
 (NOT IN SERIES)

Cat5, bell wire, thermostat wire or any gauge of wire between 24 ga and 18 ga are recommended.

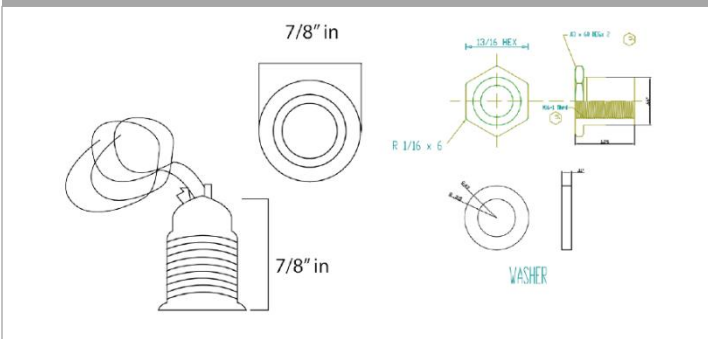
LED buttons have positive and negative poles so directions MUST BY FOLLOWED when wiring.

APPLICATIONS

A maximum of six LED Buttons may be used per ACT D'MAND Kontrols® System.

Works in conjunction with ALL ACT D'MAND Kontrols® Systems, and BP-W, BP-B, and BP-STs. These are for INDOOR USE ONLY and cannot be used in areas that may have direct exposure to water or extreme heat.

DIMENSIONS



WARRANTY

Accessories: Hardwired Buttons, Wireless Transmitters and Receivers, all Hardwired or Wireless Motion Sensors and Receivers: Warranty (One Year from date of purchase) Labor is not included with Limited Warranty. In order to obtain services under this warranty, it is the responsibility of the purchaser to promptly notify the Company in writing and promptly deliver the item in question, delivery prepaid to the factory. The address for notification and delivery is ACT, Inc. D'MAND KONTROL® Systems, 3176 Pullman Street, Suite 119, Costa Mesa CA 92626. If the product or part in question contains no defects as covered in the warranty, the purchaser will be notified and billed for parts and labor charges in effect at the time of the factory examination and repair.