

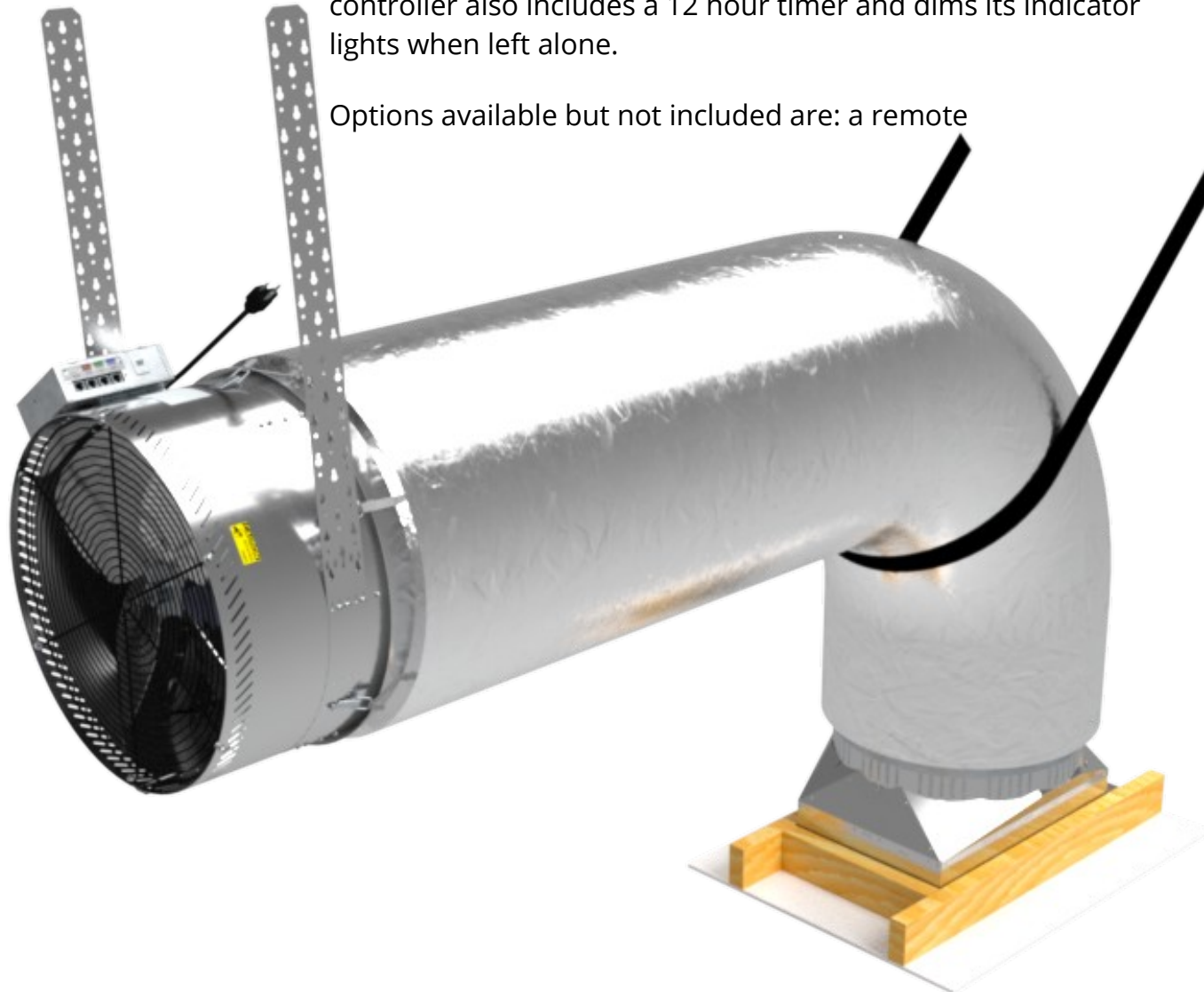
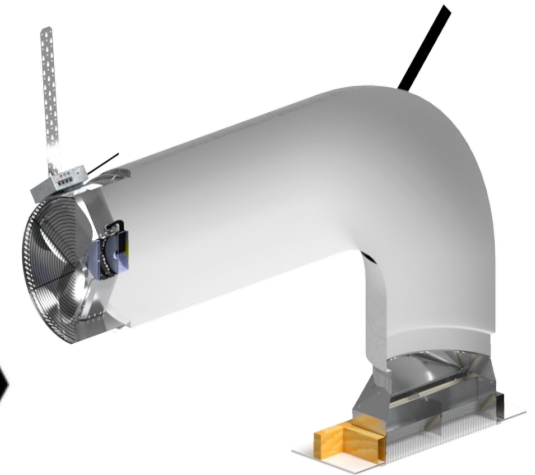


# 3200 Ventura Whole House Fan

3132 CFM, 325W, 36-60 dBA

Our flagship model with our [patented 20" fan](#) and low effort Air Door. The unit fits 16" and 24" O/C framing. The included [Digital Touch Controller](#) controls 10 speeds allowing for harmonic and efficiency selection in your preference. This controller also includes a 12 hour timer and dims its indicator lights when left alone.

Options available but not included are: a remote



## AirLab Specifications:

Fan Speed	Power (Watts)	Air Flow CFM	Efficiency (CFM per W)
1	11	225	20.45
2	35	1050	30
3	69	1703	24.68
4	108	2088	19.33
5	155	2404	15.51
6	207	2710	13.09
7	266	2953	11.1
8	288	3019	10.48
9	308	3077	9.99
10	325	3132	9.64

 High Efficiency Range

120VAC, 60Hz, Single Phase, 2.7A

Unit Weight = 60 lbs

Links:

[www.airscapfans.com](http://www.airscapfans.com) 1.866.448.4187

[How does a Whole House Fan work?](#)

[Easy Installation, how to DIY](#)

AirScape your house!  
The highest quality and quietest fans on the market today!

[Check out our sister company HVACQuick.com](#)

