

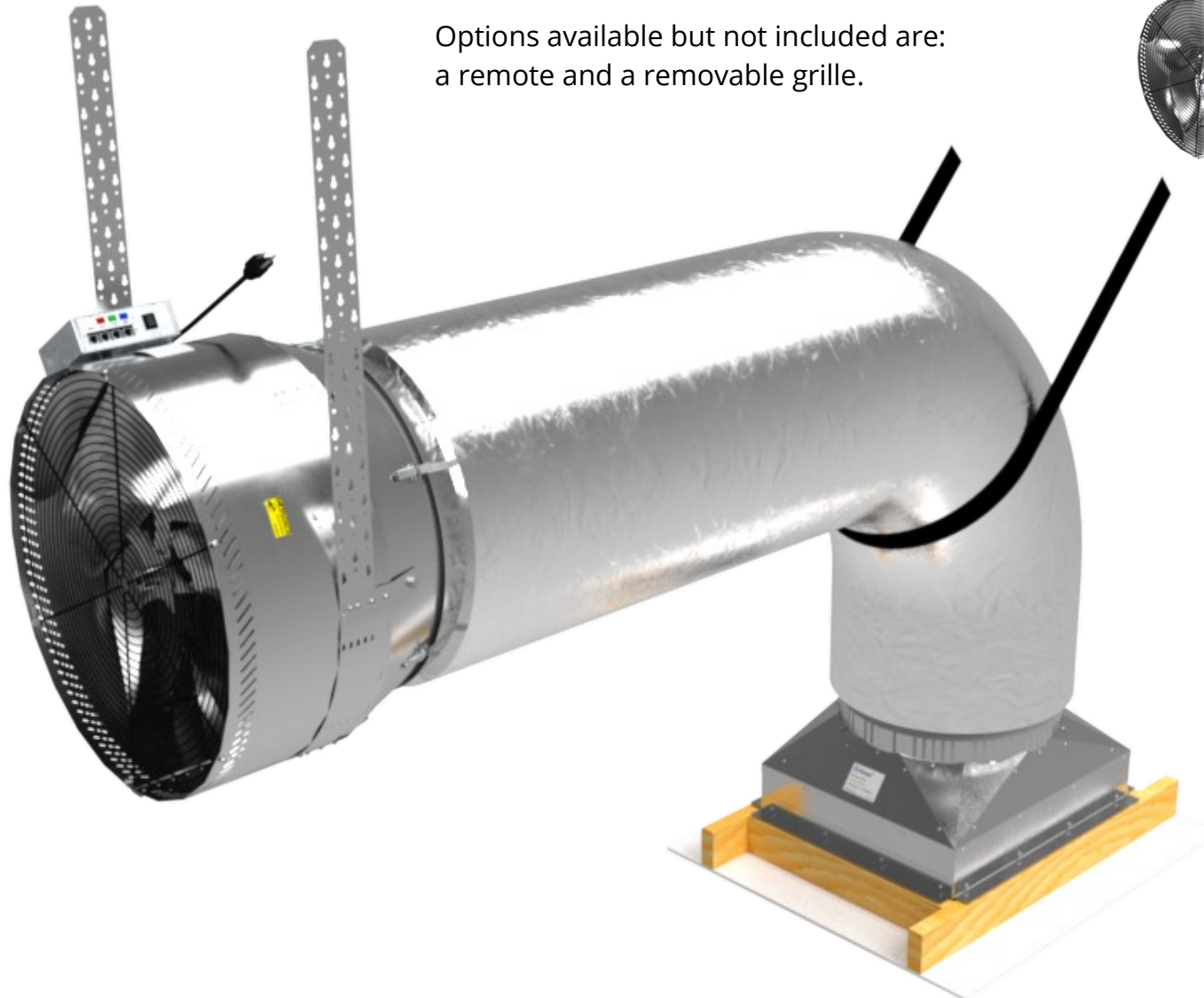
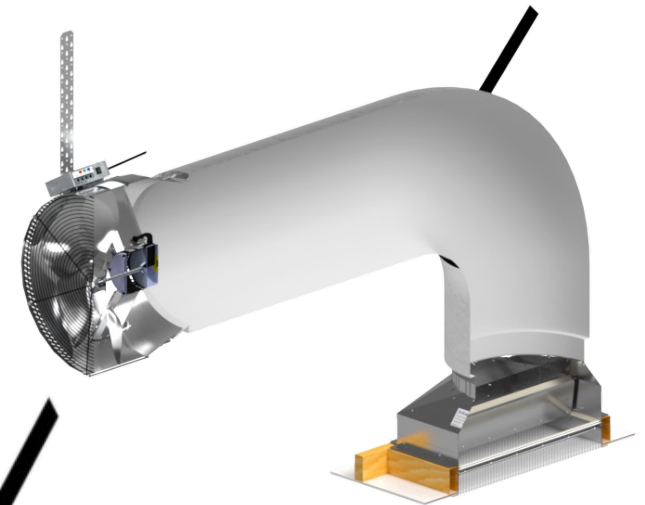


# 3400 Ventura Whole House Fan

3440 CFM, 298W, 36-52 dBA


Our flagship model with our [patented](#) 24" fan and a gravity Air Door. The unit fits 24" O/C framing. The included [Digital Touch Controller](#) controls 10 speeds allowing for harmonic and efficiency selection in your preference. This controller also includes a 12 hour timer and dims its indicator lights when left alone.

Options available but not included are:  
a remote and a removable grille.



## AirLab Specifications:

Fan Speed	Power (Watts)	Air Flow CFM	Efficiency (CFM per W)
1	15	225	15
2	23	409	17.78
3	46	1114	24.22
4	72	1794	24.92
5	102	2162	21.2
6	137	2554	18.64
7	172	2783	16.18
8	210	2994	14.26
9	250	3192	12.77
10	292	3342	11.45

 High Efficiency Range

120VAC, 60Hz, Single Phase, 2.7A  
Unit Weight = 70 lbs

Links:

[www.airscapfans.com](http://www.airscapfans.com) 1.866.448.4187

[How does a Whole House Fan work?](#)

[Easy Installation, how to DIY](#) [Easy Installation, how to DIY](#)

AirScape your house!

The highest quality and quietest fans on the market today!

[Check out our sister company HVACQuick.com](#)

