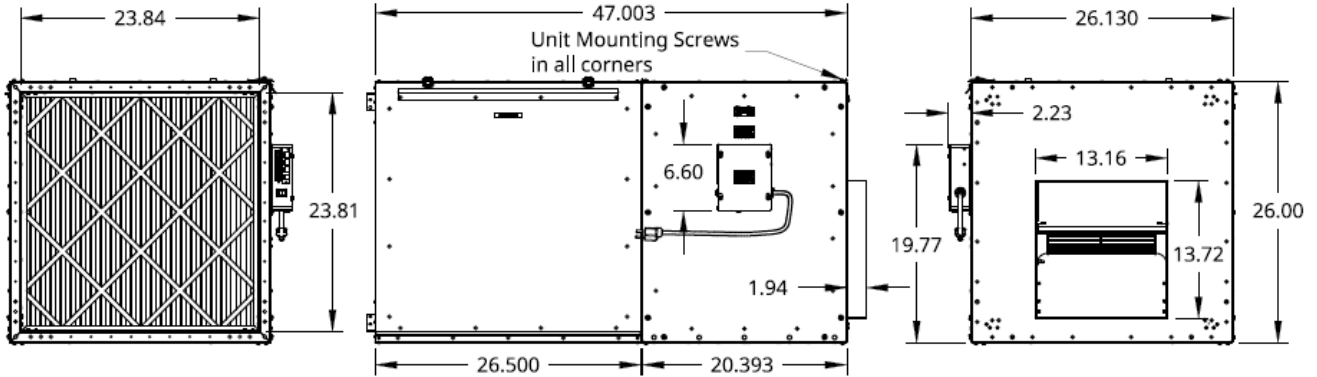


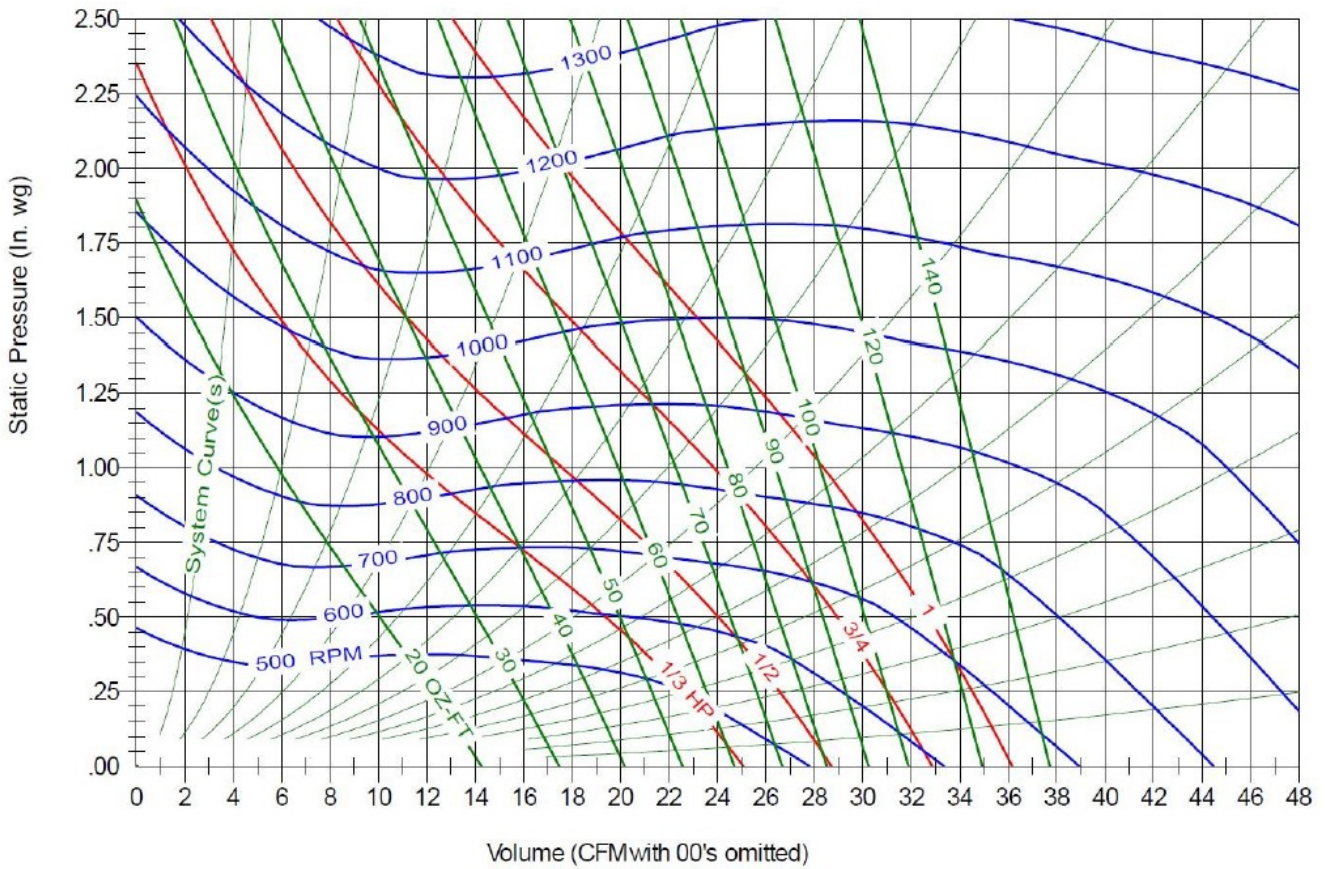


Fan:	Canarm G12-10DD	Fan Size/Weight:	26.1"x26.1"x20.4" (WxHxL) 73 lbs
Motor:	1 HP ECM, 115VAC, 10VDC modulation.	Fan Outlet:	13.24"x13.72" (WxH)
Construction:	All Aluminum double wall construction with steel inner braces. Access panels on both sides	Insulation R-Value:	R-5
HEPA Filter:	H13, 24"x24"x2" (nominal) Double W cartridge filter	Filter Box Size/Weight:	26.3"x26.3"x26.6" (WxHxL) 46 lbs 23.84"x23.84" (WxH) Inlet
Filter Quality:	HEPA = H13 (99.95%, 1-2 year life) Pr-Filter = MERV11 (2-3 months life)	Filter Size:	HP = 23.3" x 23.3" x 11.5" (actual) PF = 23.38"x 23.38"x3.75" (actual)
Construction:	All Aluminum double wall construction with steel inner braces. Access panel on one side	Insulation R-Value:	R-5
Controller:	Controller: Potentiometer in Fan Box (note: set it and forget it)		

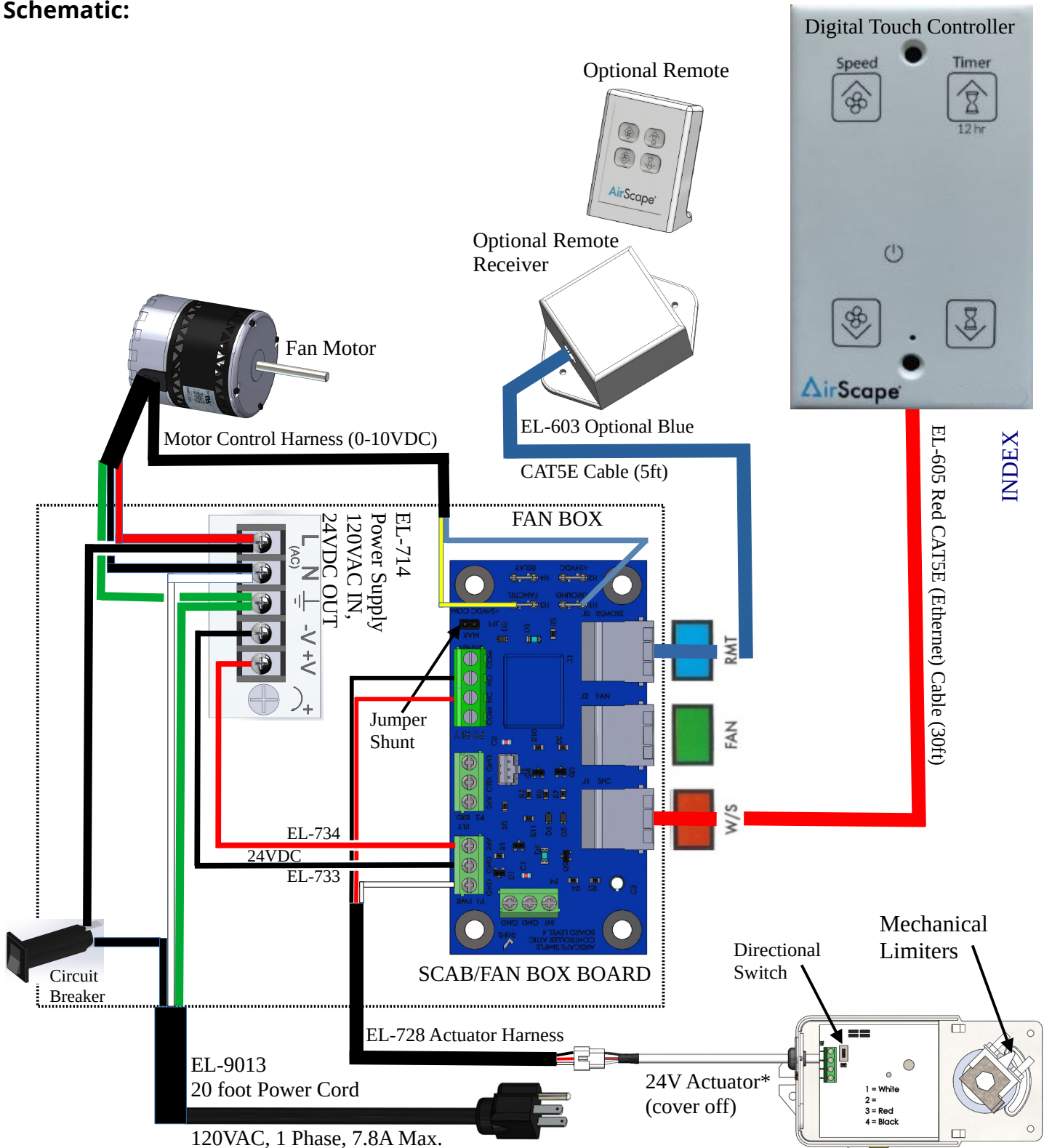
Unit Dimensions:



Fan Curve (fan only):



Schematic:



*** Note: IF YOU PURCHASED THE AIS, showing one actuator**