



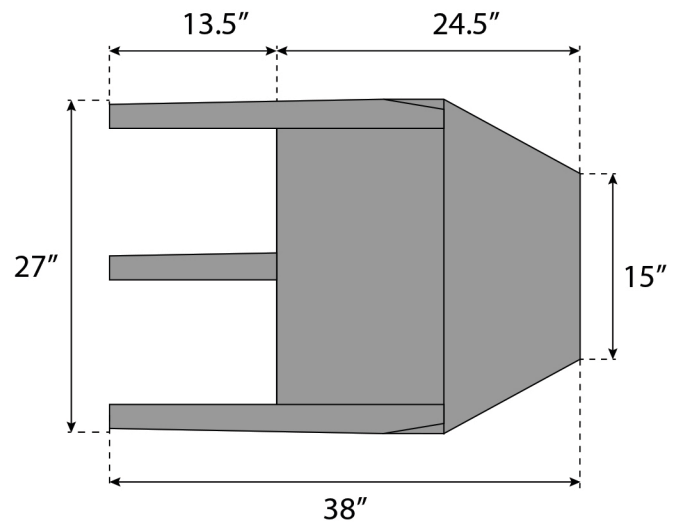
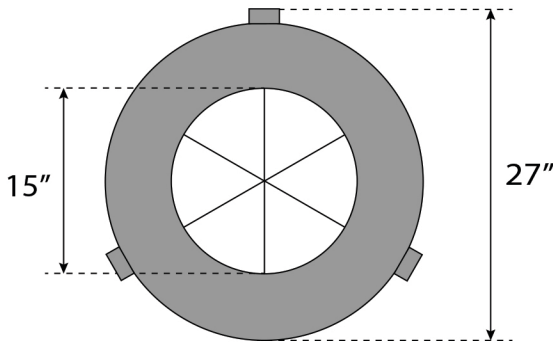
| Final Airflow Test Results | | |
|----------------------------|---------------|------|
| Fan Setting | Power (Watts) | CFM |
| 10 | 107.0 | 1509 |
| 9 | 90.0 | 1410 |
| 8 | 75.8 | 1328 |
| 7 | 62.0 | 1239 |
| 6 | 49.4 | 1142 |
| 5 | 36.6 | 1051 |
| 4 | 32.7 | 935 |
| 3 | 19.3 | 788 |
| 2 | 11.6 | 632 |
| 1 | 7.4 | 488 |

Features

- Floor or ceiling mount options
- 10 speed operation
- Built in 12 hour timer for optional automatic shutoff
- Made in the U.S.A. from sturdy, lightweight 5052 H32 Aluminum construction
- 24-inch Industrial Grade patented aerodynamic fan
- Long blast range forcing full destratification of warm and cold air temperatures in large spaces
- Optional remote* controls unit(s) from up to 75 ft away



*Optional Remote Control



We recommend 1 fan for every 30,000 cubic ft*

To calculate recommended quantity of fans, multiple sq footage by average ceiling height = cubic ft
Cubic ft divided by 30,000 = # recommended fans *varies by application.