

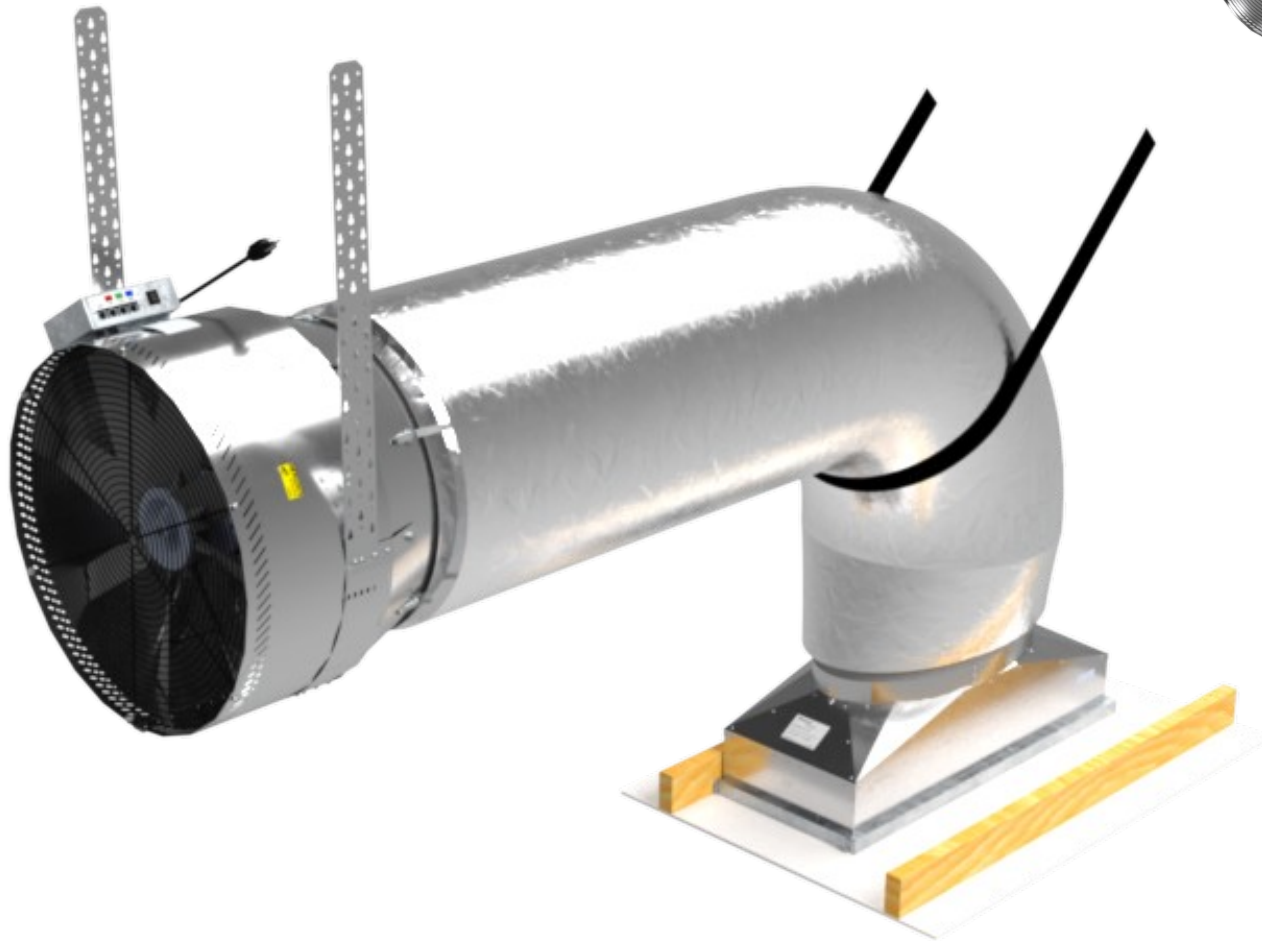
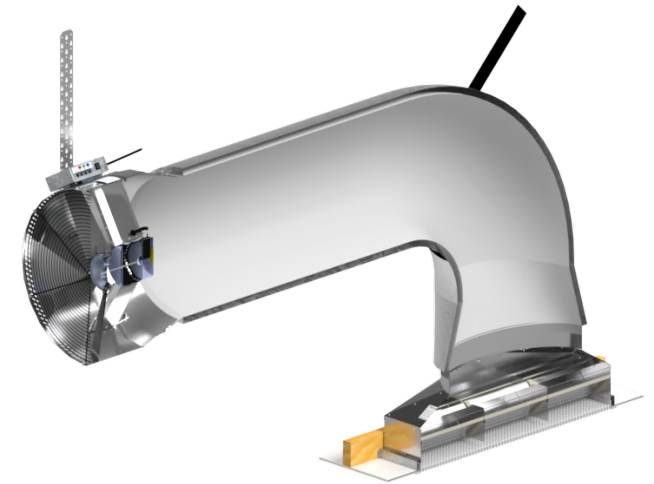


5300 X9 Whole House Fan

5212 CFM, 925W, 36-68 dBA

Our flagship model with our [patented](#) 24" fan and a gravity Air Door. The unit fits 16" and 24" O/C framing. The included [Digital Touch Controller](#) controls 10 speeds allowing for harmonic and efficiency selection in your preference. This controller also includes a 12 hour timer and dims its indicator lights when left alone.

Options available but not included are:
a remote and a removable grille.



AirLab Specifications:

Fan Speed	Power (Watts)	Air Flow CFM	Efficiency (CFM per W)
1	17.1	9	0.53
2	30	953	31.77
3	55	1622	29.49
4	98.2	2245	22.86
5	165.5	2800	16.92
6	257	3357	13.06
7	392	3870	9.87
8	571	4419	7.74
9	801	4984	6.22
10	925	5212	5.63

 High Efficiency Range

120VAC, 60Hz, Single Phase, 7.71A

Unit Weight = 80 lbs

Links:

www.airscapefans.com 1.866.448.4187

[How does a Whole House Fan work?](#)

[Easy Installation, how to DIY](#)

AirScape your house!
The highest quality and quietest fans on the market today!

[Check out our sister company HVACQuick.com](#)

