

2SHE Series

Direct Drive Shutter Fans

Application

Shutter mounted exhaust fans are widely used for ventilating warehouses, stores, factories, workshops, greenhouses and farm buildings. Shutter frames with prepunched mounting holes allow for easy installation.

Design

Heavy duty guards comply with OSHA regulations. Totally enclosed, sleeve bearing motors.

Certification



Fantech, Inc. certifies that the models shown are licensed to bear the AMCA Seal. The ratings are based on the tests and procedures performed in accordance with AMCA Publication 211 and Publication 311 and comply with the requirements of the AMCA Certified Ratings Program. Performance certified is for installation type D – Ducted inlet, Ducted outlet. Performance rating includes the effects of guard and shutter.



- Airflow up to 8,225 cfm
- Speed-controllable (except for 30C1 and 36D1)
- Totally enclosed motors
- Shipped ready to install



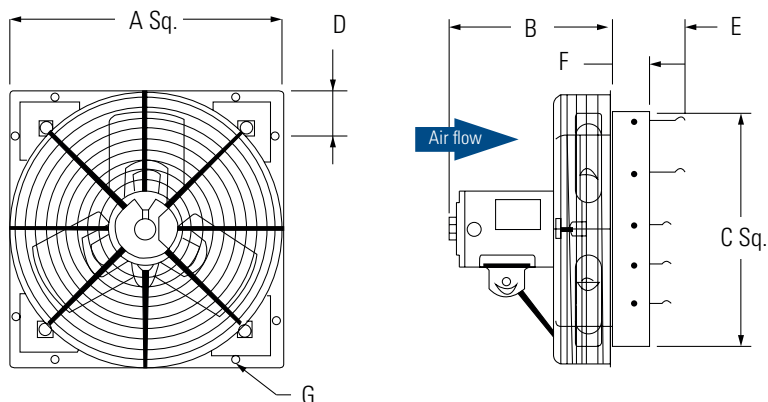
Specification data

Model	Rated power	Voltage / phase	RPM	Bearing type	Amperage full load	0.0" P _s	0.125" P _s	0.25" P _s	Sones @ 0.0" P _s	Shipping weight	Shipping class	Item #	MSRP
	HP	V / ~	min ⁻¹	Amps	cfm	lbs	USD						
2SHE 0721	1/30	120 / 1	1725	Sleeve	1.4	140	-	-	4.8	15	1	47096	151.-
2SHE 1021	1/30	120 / 1	1585	Sleeve	1.4	585	285	-	6.6	10	1	47097	153.-
2SHE 1221	1/30	120 / 1	1570	Sleeve	1.4	800	470	-	7.6	21	1	47098	162.-
2SHE 1621	1/20	120 / 1	1550	Sleeve	1.5	1095	720	-	8.0	19	1	47099	212.-
2SHE 1871	1/15	120 / 1	1075	Sleeve	1.2	1860	850	-	8.4	22	1	47100	278.-
2SHE 20B1W	1/4	120 / 1	1150	Sleeve	4.6	2830	2250	1235	11.3	39	2	47102	383.-
2SHE 24B1W	1/4	120 / 1	1150	Ball	3.7	3240	2485	1110	11.4	39	2	47103	430.-
2SHE 30C1*	1/3	120 / 1	850	Ball	4.4	6075	4195	2150	13.5	65	2	47104	547.-
2SHE 36D1*	1/2	120 / 1	850	Ball	5.6	8225	6480	2935	14.7	75	2	47105	623.-

Performance certified is for installation type A, Free Inlet, Free Outlet. Speed (RPM) shown is nominal. Performance is based on actual speed of test. Performance ratings include the effects of guard and shutter. The sound ratings shown are loudness values in hemispherical sones at 1.5 m (5 ft) in a hemispherical free field calculated per AMCA Standard 301. Values shown are for Installation Type A, Free Inlet hemispherical sone levels.

* Single speed motor

Dimensions



Model	A	B	C	D	E	F	G
2SHE 0721	11 1/8	4 15/16	8 1/2	3 9/16	5 3/4	3	1/4 x 1/2
2SHE 1021	13 1/8	5 7/16	10 1/2	10 1/2	5 3/4	3	1/4 x 1/2
2SHE 1221	15 1/8	6	13	3 9/16	5 3/4	3	1/4 x 1/2
2SHE 1621	19 1/8	6 13/16	17	10 1/2	5 3/4	3	1/4 x 1/2
2SHE 1871	21 1/8	8 1/2	18 1/2	3 9/16	5 3/4	3	1/4 x 1/2
2SHE 20B1W	23 1/8	10 3/4	21	10 1/2	5 3/4	3	1/4 x 1/2
2SHE 24B1W	27 1/8	9 3/4	25	3 9/16	5 3/4	3	1/4 x 1/2
2SHE 30C1	33 1/8	13 11/32	31	10 1/2	5 3/4	3	1/4 x 1/2
2SHE 36D1	39 1/8	13 1/8	37	10 1/2	5 3/4	3	1/4 x 1/2

Dimensional information is in inches.

Accessories



1ACC.. WH
Weatherhood
page 274



5ACC..SC
Speed Control
page 259



5ACC.. MS
Motor Disconnect
page 261



FAT 10
Thermostat
page 261



FTD 7
7 Day Timer
page 260



FH 20
Dehumidistat
page 261