

HERO HS300

Whole House Filtration Unit



PARTS IN THE BOX

Whole House HS300, 1 pc
Power cord, 5 ft, 1 pc
Plenum seal, 7.5 ft, 1 pc
Screws, 8 x 32 x 1/2", 16 pcs
Template, 1 pc

REPLACEMENT FILTERS

#463046 - Replacement Pre-Filter with Carbon, 1 pc
#463048 - Replacement HEPA Filter, 1 pc



Your Fantech HEPA Filtration system should be installed in conformance with the appropriate local, provincial or state requirements or in the absence of such requirements with the current edition of the National Building Code, and / or ASHRAE's " Good Engineering Practices".

United States

Lenexa, KS, 66215
Tel.: 800.747.1762

Canada

Bouctouche, NB, E4S 3M5
Tel.: 800.565.3548

Fantech reserves the right to modify, at any time and without notice, any or all of its products' features, designs, components and specifications to maintain their technological leadership position. Please visit our website www.fantech.net for more detailed technical information.



fantech[®]
a systemair company

				
Note	Warning/ Important note	Information	Technical information	Practical tip

PLEASE READ THIS MANUAL BEFORE INSTALLING UNIT



Prior to installing, serious consideration must be taken to insure this filtration system will operate properly if integrated to any other type of mechanical system, i.e. a forced air system, or an air handling unit. To insure proper operation & compatibilities of both system, it is required that you follow the instructions in this manual.



LIMITATIONS: The product is for residential applications only. Must be installed in accordance with all national and local regulations, building and safety codes.



CAUTION:
TURN OFF ALL INTEGRAL DISCONNECTS
BEFORE SERVICING



This product is designed and manufactured to provide reliable performance. Sometime even most reliable products will experience occasional failures, and this possibility should be recognized by the user.

If these products are used in a life support ventilation system where failure could result in loss or injury, the user should provide adequate back-up ventilation, supplementary natural ventilation or failure alarm system, or acknowledge willingness to accept the risk of such loss or injury.

Your Fantech HEPA Filtration system should be installed in conformance with the appropriate local, provincial or state requirements or in the absence of such requirements with the current edition of the National Building Code, and/or ASHRAE's "Good Engineering Practices".

Table of Content

INTRODUCTION	4
SPECIFICATIONS	4
INSTALLATION	5
GENERAL OPERATION INFORMATION	7
MAINTENANCE	8
REPLACEMENT FILTER	8
MAINTENANCE SCHEDULE	9
PARTS LIST	20

Introduction

HEPA AIR FILTRATION SYSTEMS

You have purchased a very effective air cleaning and treatment system incorporating HEPA (High Efficiency Particulate Arrestance) filter technology. This is the type of air cleaning equipment that respiratory specialists recommend most.

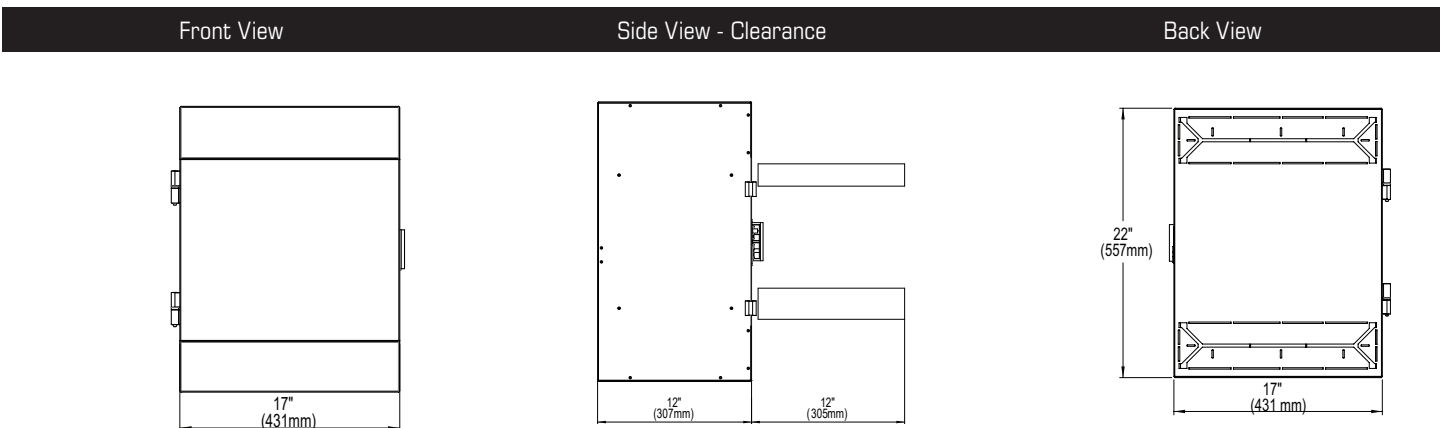
To optimize the performance of your HEPA Filtration System, it should be installed by a professional contractor who is familiar with your indoor air quality situation and the operation of other heating, ventilation and air conditioning equipment that you may have.

Specification

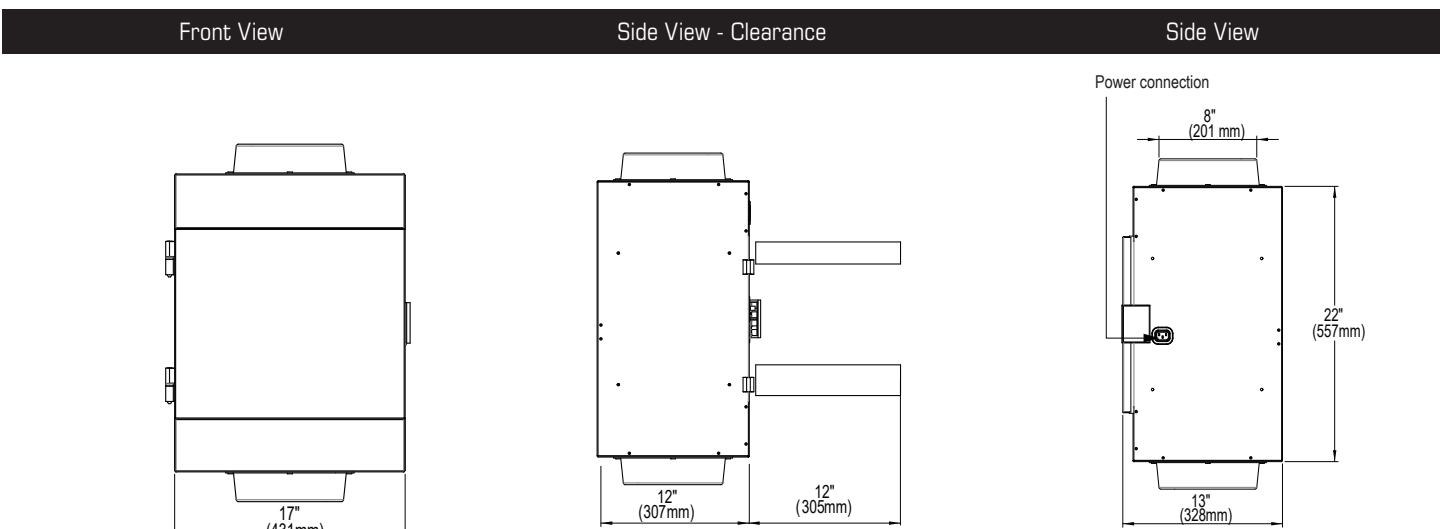
Filtration Stage 1 & 2	Pre-Filter with Carbon (#463046)	Electrical Supply	120VAC @ 60 Hz
Filtration Stage 3	HEPA Filter (# 463048)	Power Consumption	134W
Weight	28 lbs (12.7 kg)	Certification	cCSAus
Plenum Mount Port Opening	16" x 3.5" (406 mm x 89 mm)	Airflow (low/high speed)	208/280 cfm
Collar Mount Port Opening	8" (203 mm) Round*		
Installation Type	Plenum, Wall* or Floor* Mounted		

Installation

RETURN AIR PLENUM INSTALLATION



RETURN AIR PLENUM INSTALLATION AND STAND ALONE INSTALLATIONS



Planning Installation

For integrated system installation

- Verify clearance on the ductwork to mount the unit using the Forced Air heating/cooling system
- Minimum clearance requirements for maintenance and service
- Electrical power requirements
- Interaction between the HEPA filter unit and other mechanical devices.

The Whole House HEPA unit is a versatile appliance with multiple installations configuration. It is recommended to take your time in planning the installation.

Several Installations are illustrated herein' for Whole House filtration applications:

- Return to return integrated with the forced air heating/cooling system.
- Central draw points using dedicated duct system

Types of Installation

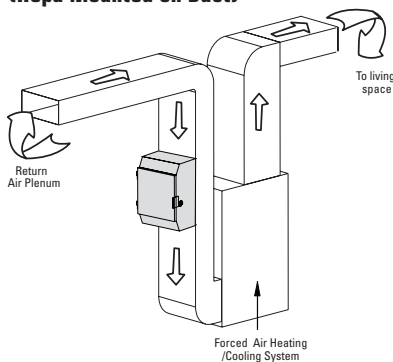
I. RETURN TO RETURN INTEGRATED SYSTEM

DUCTING FLAIR SYSTEM

Installation

The Whole House HEPA Filtration system is designed to install directly onto the return air plenum of the forced air heating/cooling system. Choosing this type of installation eliminates the need to externally duct the HEPA filter unit to the plenum system. If you choose this type of installation, it is recommended that you run the fan on your forced air system continuously to maximize its cleaning ability.

DUCTING FLAIR SYSTEM (Hepa Mounted on Duct)



COLLAR MOUNT SYSTEM

Installation

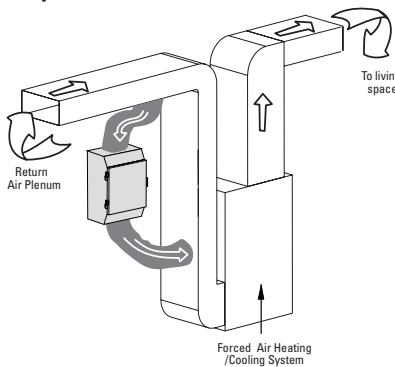
Whole House HEPA Filtration system can be converted to use 8 inch round collars for application requiring ducting. The kit includes two, 8 inch round collars, two mounting brackets for wall or floor mounting, installation guide and fasteners.



Tips to installer

The Whole House HEPA Filtration system does not replace the filter from the forced air heating/cooling system. Regular maintenance of this filter is necessary to permit the good operation of the forced air heating/cooling system.

OPTIONAL COLLAR SYSTEM (Hepa Mounted on Wall)



INSTALLATION SHOULD BE PERFORMED BY A CERTIFIED PROFESSIONAL.

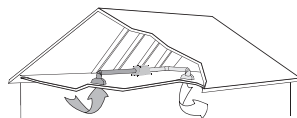
Consult your HVAC product manufacturer if the usage of this product will affect the performance of your forced air heating / cooling system.

II. STAND ALONE SYSTEM

ATTIC INSTALLATION

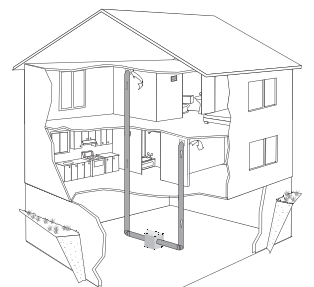
Ideal for homes without a forced air heating / cooling system. Allows for air filtration and circulation throughout the home.

HEPA system must be operated continuously whenever a part or all the system is located in an unconditioned space to avoid condensation in the ductwork below freezing (0°C, 32°F).



BASEMENT INSTALLATION

Ducting will usually consist of one return with grille from one side of the home, and one supply with grille at the opposite end of the home.



Installation Step by Step

TOOLS REQUIRED

- Phillips #2 or Robertson #1 screwdriver
- 3/32" drill bit
- Tin snips or metal shear
- Power Drill

LOCATION

Return side connections is to be installed after the last branch on the return air plenum and minimum 2 linear ft distance from furnace.

A 5-ft power cord is supplied with the unit. If not available a 120VAC outlet needs to be supplied.



Note to installer

Refer to the general operation information section for details on how to remove the unit's door and filters.



Tips to installer

Please consult local authorities to find out whether the installation of electrical products requires the services of a certified technician or electrician. Removing the filters from the unit will facilitate your job.

DUCTING FLAIRS MOUNTING SYSTEM

The Whole-House HEPA Plenum Systems are designed for single person installation.

Once the holes are made in the main return duct and the unit is aligned, the installer just has to unfold the «Ducting Flairs» and screw the unit in place.



Tips to installer

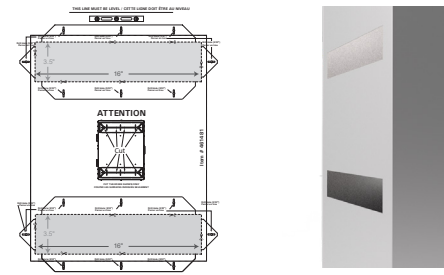
It is recommended that the filtration unit have a devoted receptacle with 120V. It is not recommended to connect unit with an extension cord. If no receptacle is available please call an electrical contractor to have one installed.

STEP BY STEP INSTALLATION

Steps involved in the preparation of the plenum mount system are as followed:

Step 1 Preparing return air plenum

Find a location that satisfies both service and maintenance requirements and proceed to cut holes as illustrated below.



Tap template to return air plenum. Cut opening with metal shears, predrill for the securing screws and remove template.

Step 2 Preparing ducting flairs

Remove the door and filters and proceed to cut the insulation as illustrated below.



Cut the insulation along the inside edge of both inlet and outlet ports to remove the insulation from the port openings.

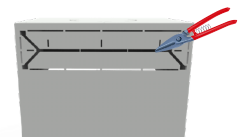
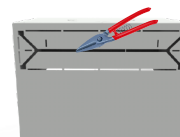
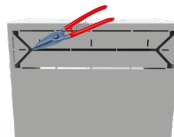


One cut permits the clean removal of the insulation piece.

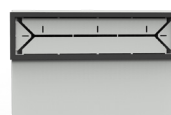


The unit should look like this when the foam piece is removed.

Cut the four metal tabs to release the mounting flairs for the inlet and outlet ports.

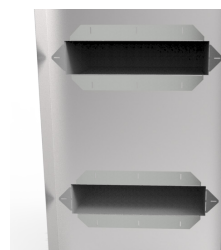


Apply plenum seal tape all around both openings on the back of the unit. Bend tabs outward approximately 90 degrees.



Step 3 Mount Hepa

Align unit into place. Unfold the ducting flairs completely to sandwich the return air plenum between the ducting flair and the filtration unit. Install unit as usual using all supplied fastening hardware.



Installation Step by Step (cont.)

MAKE SURE TO INSTALL FILTER ACCORDING TO AIR FLOW DIRECTION FOR MAXIMUM PERFORMANCE

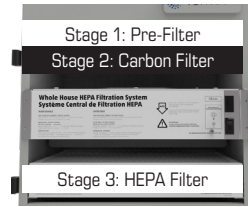


Check for this symbol on each filter and it is located on the unit's motor plate.

STEP BY STEP INSTALLATION

Steps involved in the preparation of the plenum mount system are as followed:

Step 4 Finishing



Remove protective plastic covers from all filters and replace them in their proper location (Stage 1, 2 and 3).



Replace door and insert power cord into the receptacle of the filter units and the other end into wall outlet.

General Operating Information

DOOR SWITCH



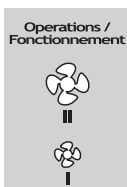
MODE SELECTOR



• II (280 CFM)

• I (208 CFM)

OPERATIONS



Maximum Filtration
(280 cfm)

Normal Filtration
(208 cfm)

FUNCTION

The Whole House HEPA system is comprised of a ventilator, speed selection switch, 3 stages of filtration and the cabinet enclosure system. The ventilator pulls air through the pre-filter and then through the impregnated carbon pad for odor control and finally the last stage of filtration is the HEPA filter which removes 99.97% of particles 0.3µm in size.

OPERATION MODE OPTIONS

The unit features two speeds of operation for your convenience. The speed selection switch is located on the front of the motor assembly. At lowest speed the unit will provide 208 CFM of clean air while at highest speed, the unit will provide 280 CFM of clean air. It is recommended that the unit be operated on highest speed at all times to maximize the benefits of the HEPA filtration system. If for some reason the filtration needs are not as important then one might operate the unit at low speed.

An access door is provided at the front of the unit to permit access to the filters and speed selection switch. Opening the latch on the right side of the unit will permit the door to swing open. A safety door interlock switch cuts the power to the motors for your safety. If needed the door can be removed from the cabinet hinges by holding the top part of the door with one hand and gently taping on the bottom edge of the door with the other hand to release the door from its hinges.



RECOMMENDED OPERATION

The return plenum mount model operates in conjunction with your forced air heating/cooling system. A forced air distribution system continuously circulates the same air inside your home. The whole house HEPA filtration system operates on the principle of bypass filtration, which means that a portion of the air being returned into the furnace is filtered on each pass. Over time all the air in the home gets cleaned. It is recommended that the furnace blower be in operation whenever the filtration system is in operation.

For stand-alone attic installation, the HEPA filtration system must be operated continuously whenever a part of all the system is located in an unconditioned space to avoid condensation in the ductwork below freezing (32°F, 0°C)

Maintenance of the unit should be performed at regular interval to keep the benefits of the HEPA filtration unit.

General Maintenance Information

WHEN SHOULD I SERVICE MY UNIT?

SERVICE AND ACCESSORIES

Detailed maintenance information is located on the front decal on motor plate.

PRE-FILTER WITH CARBON (463046)

Replace filters every 3 to 6 months or as needed.

HEPA FILTER (463048)

Replace filter every 2 to 5 years or as needed. Check regularly to maintain maximum performance from your HVAC system.

For replacement filters, contact your local HVAC contractor.

INSIDE THE UNIT

Once a year or as needed, clean the interior of the unit (Wall and Motor Plate) with a mild and non-abrasive soap. It is recommended to use products that are environmentally friendly.

CHANGING FILTERS

After opening the unit's door, grasp both edges of filter and pull with equal force to slide out the filter.



CLEANING

Once a year or as needed, clean the interior of the unit (Wall and motor plates) using mild non-abrasive soap and water. It is recommended to use products that are environmentally friendly.



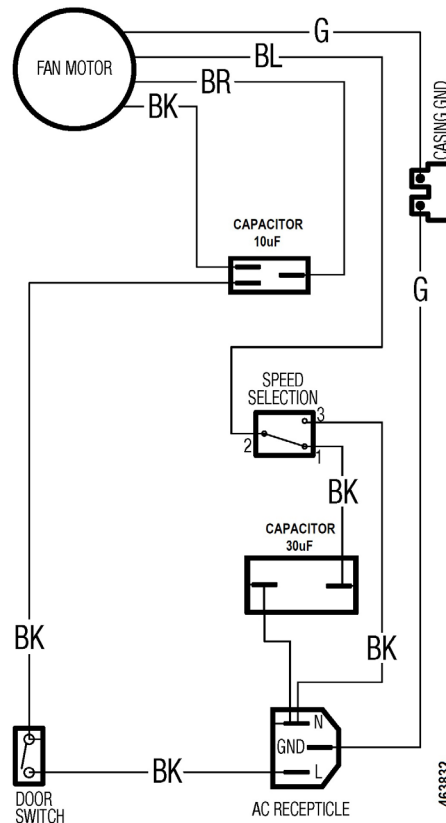
TROUBLESHOOTING

TROUBLESHOOTING	SUGGESTIONS
Unit does not operate	<ul style="list-style-type: none"> Is power cord fully inserted in the unit's connector? Is outlet powered? Is door interlock switch operating?
Unit operates only on one speed.	Possible loose wire inside electrical box, contact you local contractor.
Unit vibrates	Check for excessive dust build up or missing balancing weight on the impeller wheel.



Tips to homeowner/installer
ALWAYS UNPLUG UNIT BEFORE SERVICING

ELECTRICAL WIRING DIAGRAM



BL=Blue BR=Brown BK=Black W=White R=Red

HERO HS300

Système de filtration d'air

PIÈCES DANS LA BOÎTE

Système de filtration d'air HS300, 1 pc
Cordon d'alimentation, 5 pi, 1 pc
Joint de plénum, 7,5 pi, 1 pc
Vis, 8 x 32 x 1/2", 16 pcs
Gabarit, 1 pc

FILTRES DE REMPLACEMENT

#463046 - Filtre de remplacement, Préfiltre avec carbone 1 pièce
#463048 - Filtre de remplacement HEPA, 1 pièce



Votre système de filtration HEPA de Fantech doit être installé conformément aux exigences de la municipalité, de la province ou de l'État où vous habitez ou, à défaut de telles exigences, conformément à l'édition actuelle du Code national du bâtiment du Canada ou aux « méthodes d'ingénierie appropriées » de l'ASHRAE.

United States

Lenexa, KS, 66215
Tel.: 800.747.1762






Canada

Bouctouche, NB, E4S 3M5
Tel.: 800.565.3548

Fantech reserves the right to modify, at any time and without notice, any or all of its products' features, designs, components and specifications to maintain their technological leadership position.
Please visit our website www.fantech.net for more detailed technical information.



fantech[®]
une compagnie de Systemair

				
Note	Warning/ Important note	Information	Technical information	Practical tip

VEUILLEZ LIRE LE PRÉSENT MANUEL AVANT D'INSTALLER L'APPAREIL



Avant de procéder à l'installation, examinez avec soin la façon dont le système fonctionnera s'il est relié à tout autre appareil mécanique, notamment une fournaise à air pulsé ou un appareil de traitement d'air dont la pression statique est plus élevée.



LIMITATIONS: Le produit est destiné uniquement aux applications résidentielles. Doit être installé conformément à toutes les réglementations nationales et locales, ainsi qu'aux codes du bâtiment et de sécurité.



MISE EN GARDE:
ÉTEIGNEZ TOUS LES DÉCONNEXIONS INTÉGRALES AVANT L'ENTRETIEN



Les produits sont conçus et fabriqués pour fournir une performance fiable, mais ils ne sont pas garantis à 100% sans défaut. Même les produits ont des pannes occasionnelles et cette possibilité devrait être reconnue par l'utilisateur. Si ces produits sont utilisés dans un système de ventilation qui maintient des fonctions vitales où une défaillance pourrait entraîner des pertes ou des blessures, l'utilisateur doit fournir une ventilation de secours adéquate, une ventilation supplémentaire naturelle, un système d'alarme de défaillance ou d'accepter les risques de pertes ou de blessures.

Votre système de filtration HEPA de Fantech doit être installé conformément aux exigences de la municipalité, de la province ou de l'État où vous habitez ou, à défaut de telles exigences, conformément à l'édition actuelle du Code national du bâtiment du Canada ou aux « méthodes d'ingénierie appropriées » de l'ASHRAE.

Table des matières

- INTRODUCTION.14
- DIMENSIONS14
- SPÉCIFICATIONS14
- INSTALLATION15
- INFORMATION GÉNÉRAL17
- ENTRETIEN18
- FILTRES DE REMPLACEMENT18
- CALENDRIER D'ENTRETIEN19
- LISTE DES COMPOSANTES20

Introduction

SYSTÈME DE FILTRATION D'AIR HEPA

Vous êtes l'heureux propriétaire d'un système d'épuration et de Craitement de l'air très efficace mis au point selon la technologie de filtration HEPA (filtre à particules à haute efficacité). Il s'agit du type d'appareil d'épuration de l'air le plus recommandé par les inhalothérapeutes.

Afin d'optimiser les performances de votre système de filtration HEPA, celui-ci doit être installé par un entrepreneur professionnel bien au fait du niveau de qualité de l'air ambiant de votre maison et connaissant bien le fonctionnement du matériel de chauffage, de ventilation ou de climatisation que vous possédez.

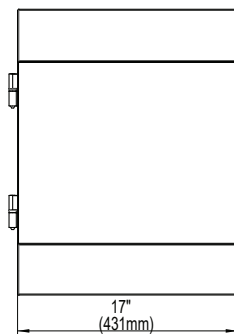
Spécification

Filtration Stage 1 & 2	Préfiltre avec carbone (no. 463046)	Types d'installation	Retour/Retour ou indépendant
Filtration Stage 3	Filtre HEPA (no. 463048)	Voltage	120VAC @ 60 Hz
Poids	28 lbs (12.7 kg)	Ampérage	134W
Retour/Retour	16" x 3.5" (406 mm x 89 mm)	Certification	cCSAus
Ouverture des orifices		Débit d'air	208/280 cfm
Conduits indépendant	8" (203 mm) Rond*		
Ouverture des orifices			

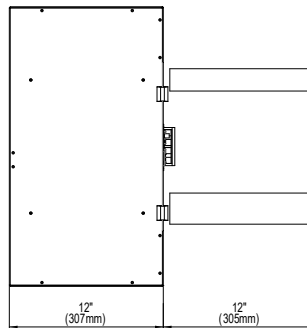
Installation

INSTALLATION SUR CONDUIT DU RETOUR DE VOTRE SYSTÈME

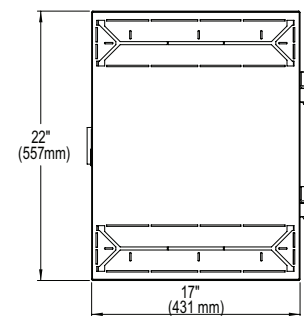
Vue Avant



Vue Côté - Dégagement

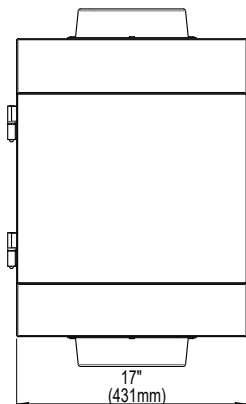


Vue Arrière

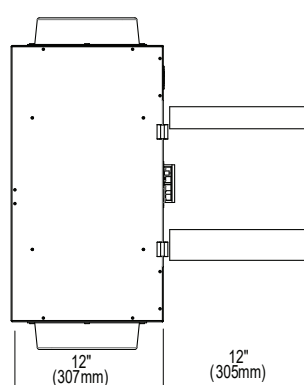


INSTALLATION SUR CONDUIT DU RETOUR

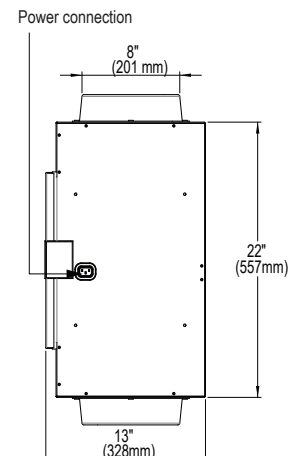
Vue Avant



Vue Côté - Dégagement



Vue Côté



Planification de l'installation

Pour l'installation d'un système intégré

- Vérifiez le dégagement des conduits du système pour monter l'appareil en utilisant le système central à air forcé.
- Conditions de dégagement minimum pour l'entretien et le service de l'appareil.
- Prise de courant électrique distincte.
- Interaction entre le Système de Filtration HEPA et autres dispositifs mécaniques.

Le Système de Filtration HEPA est un appareil avec configuration multiple d'installations. Il est recommandé de prendre votre temps pour planifier l'installation.

Plusieurs types d'installations sont illustrés ci-dessous pour le Système de Filtration HEPA:

- Sur le conduit du retour d'air, intégré avec le système central à air forcé.
- Points centraux d'aspiration en utilisant un système avec réseau de conduit.
- Consultez le fabricant pour d'autres applications spéciales./

Types d'installation

I. RETOUR AU SYSTÈME INTÉGRÉ DE RETOUR

SYSTÈME «DUCTING FLAIR »

Installation

Le Système de Filtration HEPA est conçu pour une installation sur le conduit de retour d'air du système central à air forcé. Ce type d'installation élimine la nécessité d'un réseau de conduit indépendant au système central à air forcé. Si vous choisissez ce type d'installation, il est recommandé que le ventilateur du système central soit en fonction continue pour maximiser la filtration.

SYSTÈME PAR CONDUITS

Installation

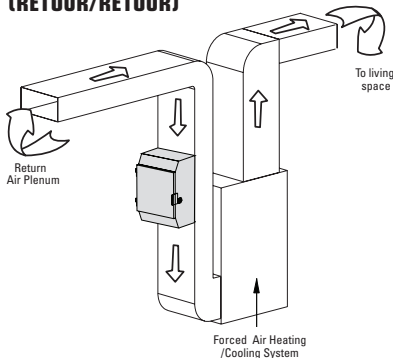
Le Système de Filtration HEPA peut être converti pour utiliser des conduits indépendants avec collets de 8 – pouce, pour une application qui exige une installation de conduits. Le kit inclus deux collets de 8 – pouce, deux supports de montage mural ou de plancher, le guide d'installation et les écrous de fixation.



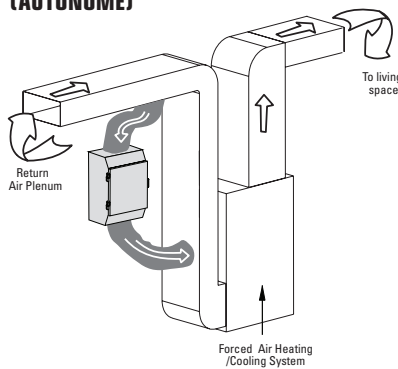
CONSEIL POUR L'INSTALLATEUR

Le Système de Filtration HEPA ne remplace pas le filtre du système central à air forcé, l'entretien régulier du filtre est nécessaire pour permettre la bonne opération du système

SYSTÈME «DUCTING FLAIR » (RETOUR/RETOUR)



SYSTÈME PAR CONDUITS (AUTONOME)



L'INSTALLATION DEVRAIT ÊTRE EFFECTUÉE PAR UN PROFESSIONNEL CERTIFIÉ.

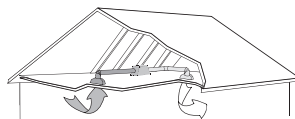
Assurez-vous de vérifier auprès de vos codes de construction locaux et de votre fabricant du système central à air forcé.

II. SYSTÈME INDÉPENDANT

INSTALLATION DE GRENIER

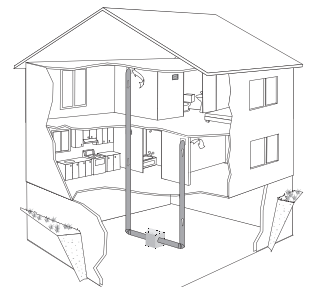
Idéal pour des maisons sans système central à air forcé. Assure la filtration et de la circulation d'air dans toute la maison.

Le Système de Filtration HEPA doit être en fonction sans interruption lorsque qu'une partie ou tout le système est installé dans un endroit non-chauffée pour éviter la condensation dans les conduits lorsque les conditions sont au-dessous de zéro (32°F, 0°C)



INSTALLATION AU SOUS-SOL

Le réseau de conduits se compose habituellement d'une grille de retour d'un côté de la maison, et d'une grille d'approvisionnement à l'extrémité opposée de la maison.



Installation étape par étape

OUTILS REQUIS

- Un tournevis #2 « Philips » ou « Robertson #1 »
- Mèche de 3/32 po
- Ciseau à métal
- Perceuse

EMPLACEMENT

Les connexions du côté retour doivent être installées après dernier branchement sur le plénum de reprise d'air et minimum Distance de 2 pieds linéaires de la fournaise.

Un cordon d'alimentation de 1,50 mètre est fourni avec l'unité. Si non disponible, une prise 120VAC doit être fournie.



Note à l'installateur

Référez-vous au guide d'opération pour les détails sur la façon d'enlever la porte et les filtres de l'appareil.



Conseil pour l'installateur

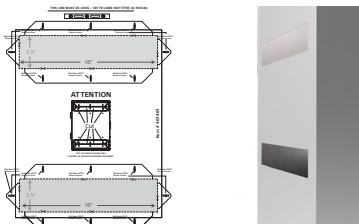
Intégrer le Système de Filtration HEPA avec le système central à air forcé est possible à l'aide d'un relais auxiliaire optionnel. Veuillez consulter les autorités locales pour l'information sur l'installation des produits électriques s'ils exigent les services d'un technicien ou d'un électricien certifié.

INSTALLATION ÉTAPE PAR ÉTAPE

Les étapes impliquées pour le raccordement de l'appareil au conduit de retour d'air du système central à air forcé sont comme suit:

Étape 1 Préparation du conduit de retour d'air

Déterminer un endroit qui satisfait les besoins de service et l'entretien de l'appareil et procédez à couper les ouvertures comme illustré ci-dessous.

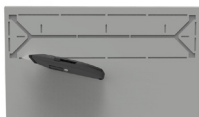


Tapé A l'aide d'un ruban adhésif attache le modèle sur le conduit du retour d'air.

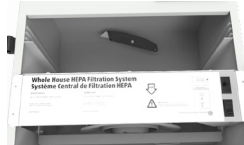
Coupez l'ouverture avec des ciseaux à métal et procédez à perforez les trous pour les écrous de fixation.

Étape 2 Préparation des orifices « Ducting Flairs »

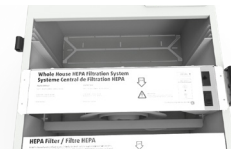
Enlevez la porte et les filtres et couper l'isolation comme illustré ci-dessous.



Coupez l'isolation le long des 2 bordures intérieures des orifices de la sortie et de l'entrée d'air; ensuite enlevez l'isolation des ouvertures.

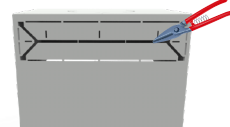
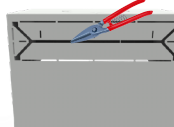
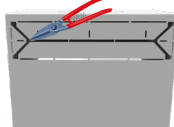


Une seule coupe permet un déplacement facile du morceau d'isolation



L'appareil devrait ressembler à ceci quand les morceaux d'isolant sont déplacés.

Coupez les quatre volets en métal pour libérer les orifices « Ducting Flair » de leur support pour les orifices de la sortie et de l'entré d'air.



SYSTÈME «DUCTING FLAIR »

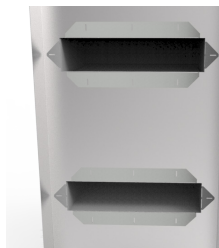
Le Système de Filtration HEPA est conçu pour installation sur le conduit de retour d'air du système central à air forcé. Ce type d'installation élimine la nécessité d'un réseau de conduit indépendante au système centrale à air forcé. Si vous choisissez ce type d'installation, il est recommandé que le ventilateur du système central soit en fonction continue pour maximiser la filtration.

Appliquez la bande scellement tout autour des deux ouvertures sur le dos de l'appareil. Poussez les volets de métal vers l'extérieur approximativement à 90 degrés.



Étape 3 Installation de l'appareil

Insérez l'appareil en place. Repliez les orifices « Ducting Flairs » complètement pour serrer l'appareil au conduit de retour d'air. Installez l'unité comme d'habitude à l'aide des vis fournis.



Note à l'installateur

Il est recommandé que le Système de Filtration HEPA aie une prise de courant exclusive de 120 volts. Il n'est pas recommandé de relier l'appareil à un cordon prolongateur. Si aucun prise n'est disponible veuillez consulter les autorités locales pour l'information sur l'installation des produits électriques s'ils exigent les services d'un technicien ou d'un électricien certifié

Installation étape par étape (suite)

VEILLEZ INSTALLER LES FILTRES SELON LA DIRECTION DU DÉBIT D'AIR POUR UNE PERFORMANCE MAXIMUM

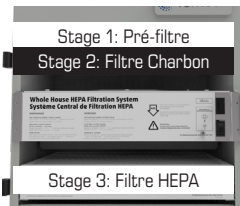


Examinez le symbole de chacun des filtres pour s'assurer de la bonne direction de l'air. Il est aussi inscrit sur le coffret du moteur de l'appareil.

INSTALLATION ÉTAPE PAR ÉTAPE (suite)

Les étapes impliquées pour le raccordement de l'appareil au conduit de retour d'air du système central à air forcé sont comme suit:

Étape 4 La finition



Enlevez les couvertures protectrice en plastique des filtres et installez les à l'endroit approprié. (Stage 1, 2 et 3)



Remplacez la porte et insérez le cordon de raccordement dans le receptacle de l'appareil et l'autre extrémité dans la prise murale.

INFORMATION GÉNÉRAL POUR LE FONCTIONNEMENT DE L'APPAREIL

COMMUTATEUR



SÉLECTEUR DE MODE



• II (280 PCM)

• I (208 PCM)

OPÉRATIONS

Operations /
Fonctionnement



Filtration maximum
(280 PCM)



Filtration normal
(208 PCM)

FONCTION

Le Système de Filtration HEPA est composé d'un ventilateur, d'un commutateur de choix vitesse, 3 niveau de filtration. Le ventilateur tire l'air à travers le pré-filtre et du filtre imbibé de charbon qui capte les grosses particules et qui élimine les odeurs et finalement la dernière phase de filtration est le filtre HEPA qui enlève 99,97% de particules 0.3µm de taille.

MODE DE FONCTION

L'unité comporte deux vitesses d'opération pour votre convenance. Le commutateur de choix de vitesse est situé sur le coffret avant du moteur. À la plus basse vitesse l'appareil fournira un débit d'air de 208 PCM, tandis qu'à la vitesse maximum un débit d'air sera de 280 PCM. Il est recommandé que l'unité soit actionnée sur la vitesse la plus élevée à tout moment pour maximiser les avantages du Système de Filtration HEPA. Si pour quelque raison les besoins de filtration ne sont pas requis, on pourrait alors actionner l'unité à la vitesse réduite.

Une porte d'accès à l'avant de l'appareil permet l'accès facile aux filtres et au commutateur de choix de vitesse. Un commutateur « ON/OFF » situé sur le coffret avant du moteur coupe la puissance du moteur lorsque la porte d'accès est ouverte pour votre sécurité. Si nécessaire la porte peut être enlevée de l'appareil en tenant la partie supérieure de la porte avec une main et en tapent doucement sur le rebord inférieur de la porte avec l'autre main pour libérer la porte de ses charnières.



OPÉRATION RECOMMANDÉE

Le Système de Filtration HEPA intégré avec le système central doit fonctionner en conjonction avec votre système central à air forcé. Un système central à air forcé de distribution circule sans interruption le même air à l'intérieur de votre maison. Le Système de Filtration HEPA opère principalement avec une filtration par déviation, qui signifie qu'une partie de l'air étant retourné dans le système central est filtrée sur chaque passage. Avec une période de temps l'air dans la maison devient plus sain et filtré. Il est recommandé que le ventilateur de votre système central soit en fonction, lorsque que le Système de Filtration HEPA est en opération.

Pour l'installation indépendante de grenier, le Système de Filtration HEPA doit être en opération sans interruption lorsqu'une partie ou tout le système est placé dans un endroit non-chauffée pour éviter la condensation dans le réseau de conduit, lorsque les conditions sont au-dessous du point de congélation (32°F, 0°C). L'entretien de l'appareil devrait être exécuté à des intervalles réguliers pour assurer les avantages de l'appareil du Système de Filtration HEPA.

Information générale d'entretien

QUAND DEVRAIT ON FAIRE L'ENTRETIEN DE L'APPAREIL?

SERVICE ET ACCESSOIRES

L'information d'entretien est située sur la plaque avant du coffret de moteur.

LE PRÉFILTRE AVEC CHARBON (463046)

Remplacez les filtres tous les 3 à 6 mois ou lorsque nécessaire.

LE FILTRE HEPA (463048)

Remplacez tous les 2 à 5 ans ou lorsque nécessaire.

À L'INTÉRIEUR DE L'UNITÉ

Une fois par an ou lorsque nécessaire, nettoyez l'intérieur de l'unité avec du savon doux et non-abrasif. Il est recommandé d'utiliser des produits non nuisibles à l'environnement.

REEMPLACER LES FILTRES

Après avoir ouvert la porte d'accès, saisissez les deux bords du filtre et retirez avec force égale du cabinet.



NETTOYAGE

En nettoyant une fois par an ou comme nécessaire, nettoyez l'intérieur de l'unité employant le savon non-abrasif doux. Il est recommandé d'employer les produits non nuisibles à l'environnement.



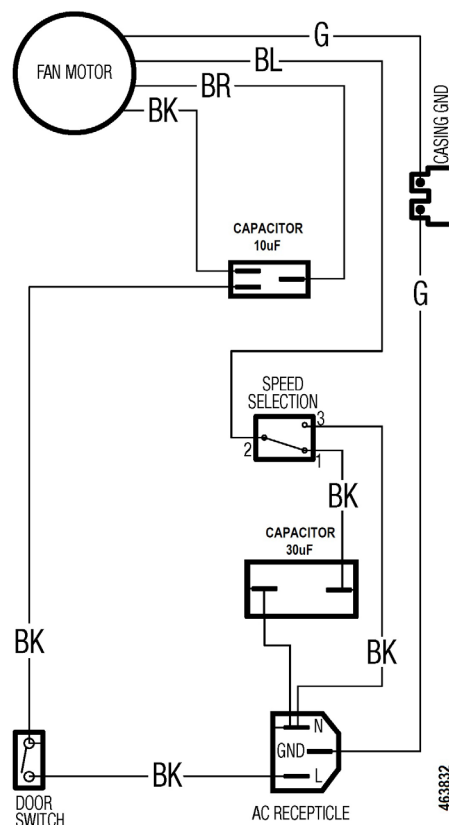
DÉPANNAGE

DÉPANNAGE	SUGGESTIONS
L'appareil ne fonctionne pas	Le cordon est-il entièrement inséré dans l'appareil? La sortie est-elle actionnée? Le commutateur de couplage de porte fonctionne-t-il?
L'appareil fonctionne seulement sur une vitesse	Un fil lâche possible à l'intérieur de la boîte électrique, entre en contact avec votre entrepreneur local.
L'appareil vibre.	Vérifiez l'excès de poussière ou le contre-poids manquant sur la roue du moteur.



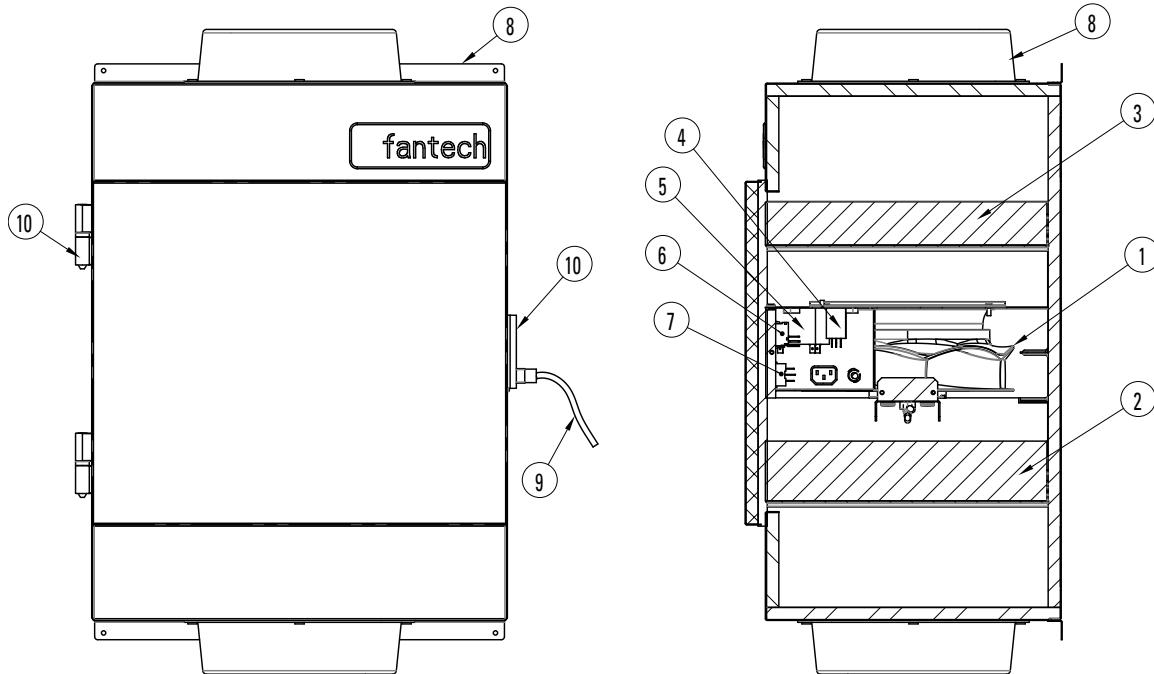
Note au propriétaire/ installateur
DÉBRANCHEZ TOUJOURS L'UNITÉ AVANT L'ENTRETIEN

DIAGRAMME DE CÂBLAGE ÉLECTRIQUE



BL=Blue BR=Brown BK=Black W=White R=Red

Parts list • Liste des composantes



BOM #	Description	HERO HS300 (463870)
1	Motor Assembly	463137
2	HEPA Filter	463048
3	Pre-filter with Carbon	463046
4	Capacitor, 10 μ F	410040
5	Capacitor, 30 μ F	412303
6	Door Switch	463114
7	Rocker Switch	463138
8	8" Collar Mount Kit	463085
9	Power Cord	463104
10	Door Hinge & Latch kit	463090
	Wiring Diagram	463832

Notes

Notes

Notes

Fantech reserves the right to make technical changes.
For updated documentation please refer to www.fantech.net

Fantech se réserve le droit de faire des changements techniques. Pour de la documentation à jour, s'il vous plaît se référer au www.fantech.net

Fantech®