

prioAir Series

Inline Duct Fans with AC and EC Motors

Application

The prioAir series is designed for installation in ducts. Extremely efficient, prioAir fans are perfect for a wide assortment of quiet air-moving applications.

Design

Compact size, low noise, very high efficiency and air tight casing. Aerodynamically optimized impellers and guide vanes with external rotor motors. Includes a mounting bracket. Special composite material is corrosion-proof and light weight.

Speed control

The prioAir EC fan motor's speed is controlled via a 0-10Vdc signal. The motor provides a +10V reference that can be reduced by either the integrated or a remote-mounted potentiometer (such as MTP 10, see Accessories). The motor can also be controlled by an externally-provided 0-10Vdc signal that can come from any device or a Building Management System (BMS). The fan's motor also provides operational speed (tachometer pulse) output that can be used to verify fan operation. These control features allow the prioAir EC to be integrated into and play an active role in smart HVAC systems in buildings.

The prioAir AC fan models may be controlled via a solid state speed controller.

Motor protection

Thermal overload protection with automatic reset.

Models

AC motor models may be controlled via a solid state speed controller. EC motor models provide the highest efficiency, may be controlled via a 0-10Vdc speed control signal, and include a pre-wired speed control potentiometer.

Certification



Specification data

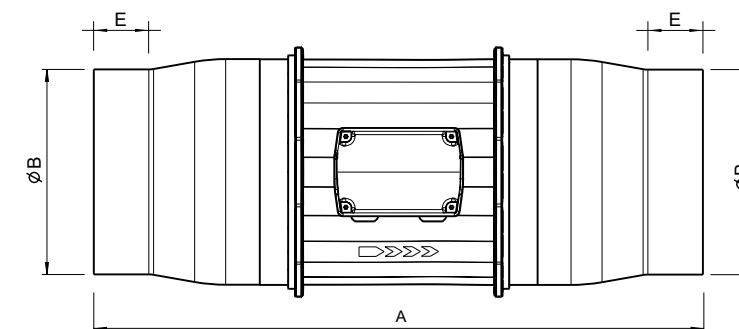
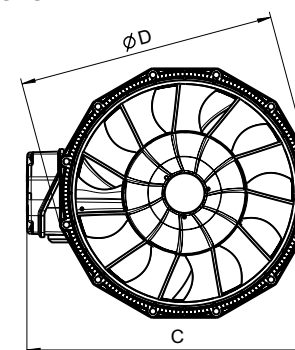
Model	Rated power	Voltage / phase	Max. Amps	RPM	0.0" P _s	0.2" P _s	0.4" P _s	0.6" P _s	0.8" P _s	1.0" P _s	Sound power level (inlet)	Shipping weight	Shipping class	Item #	MSRP
	W	V / ~	A	min ⁻¹	cfm					dB	lbs			USD	
prioAir 6	37	120 / 1	0.29	2754	295	252	195	38	-	-	68 @ 0.25" sp	7	1	49310	192.-
prioAir 6 EC	66	120 / 1	1.05	4041	443	418	387	352	313	261	72 @ 0.25" sp	7	1	49314	274.-
prioAir 8	93	120 / 1	0.81	2899	646	602	553	487	351	181	76 @ 0.25" sp	8	1	49312	244.-
prioAir 8 EC	128	120 / 1	1.80	3619	791	745	702	656	604	534	76 @ 0.25" sp	8	1	49316	349.-
prioAir 10	304	120 / 1	2.63	2920	1380	1324	1264	1200	1127	1043	80 @ 0.25" sp	14	1	56067	Call for price
prioAir 10 EC	164	120 / 1	2.4	2650	1237	1156	1079	997	900	769	77 @ 0.25" sp	10	1	56068	Call for price

- Airflow up to 1,375 cfm
- Zero leakage
- Extremely energy efficient operation
- Can be installed in any position
- BMS compatible (EC models)

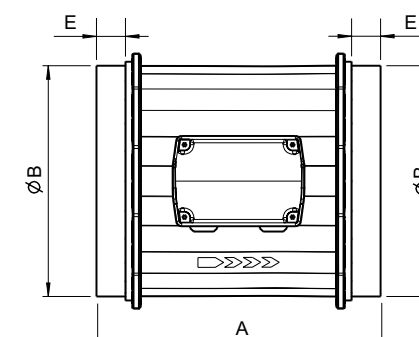
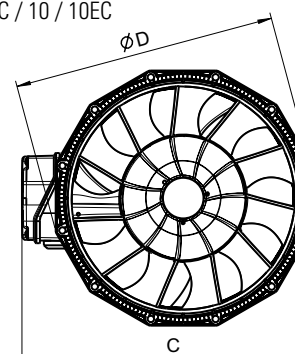


Dimensions

prioAir 6 / 6EC



prioAir 8 / 8EC / 10 / 10EC



Model	A	B	C	D	E
prioAir 6 / 6EC	16 3/16	5 7/8	8 1/4	7 3/8	1 5/8
prioAir 8 / 8EC	9 11/16	7 7/8	9 3/4	9	1
prioAir 10 / 10EC	11 11/16	9 13/16	11 15/16	11 1/16	1 3/16

Dimensional information is in inches.



Thanks to its compact size (Dia. x Length) 6" (8" x 16-3/16" (9-11/16")), the circular duct fan matches the duct dimensions. A truly tiny inline solution.

Accessories

- FC** Mounting Clamps page 265
- LD** Silencer page 266
- RSK** Backdraft Damper page 266
- IR** Iris Damper page 268
- ADC** Shut-off Damper page 267
- FML** Metal Hood page 264
- MTP 10²¹** Speed Control page 260
- DPC 200²¹** Constant Pressure Control page 260

²¹ for prioAir 6EC, prioAir 8EC and prioAir 10EC models only

