

PROFESSIONAL INLINE KITCHEN EXHAUST KIT | ASKI-42

Recommended for 36 or 42 inch cooktops; delivers 640 CFM through a 10" duct system. Other sizes available.



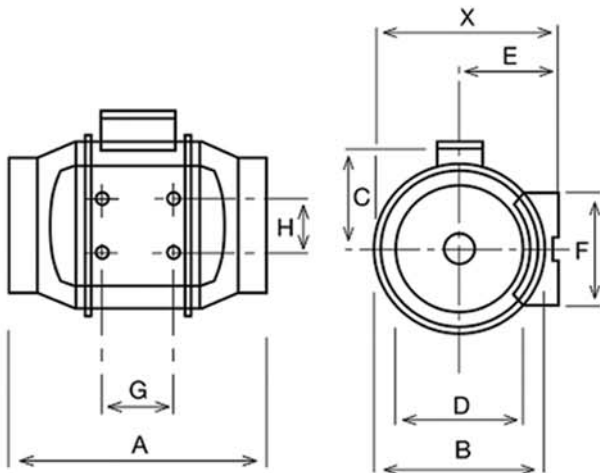
This high-flow commercial exhaust system uses a powerful inline fan located away from the range hood and acoustically isolated with a special silencer to deliver commercial ventilation performance with a fraction of the noise of typical low-flow consumer range hoods.

The kit includes:

- **Solar & Palau TD-250 10" inline centrifugal fan** (640 cfm @ .375" sp)
- **A specially optimized silencer to minimize inline noise**
- **Inline backdraft damper to prevent backflow**
- **Heavy-duty dampening clamps (2) to absorb fan vibration**
- **Heavy-duty, high-performance galvanized roof cap (or wall hood)**



*choose a wall hood or roof cap



Dimensional Information

X	A	B	C	D	E	F	G	H
11 7/16	15 3/16	10 11/16	7 9/16	9 3/4	6 1/8	6 5/8	15 11/16	5 1/2

Performance Information

Nom. RPM	Volts	Max. Watts	Spd	CFM vs. Static Pressure (SP) Ins. WG							Max. SP	Duct Dia. Ins.
				0"	0.125"	0.25"	0.375"	0.5"	0.75"	1.0"		
3200	115	241	High	754	715	680	640	606	520	405	2.53	10"

Soler & Palau TD-250 10" Inline Centrifugal Fan

- ▶ 640 cfm fan @ .375" static pressure
- ▶ Single-phase (120V, 60 HZ) induction asynchronous motor, with permanent capacitor and external rotor in die cast aluminum.
- ▶ Direct, two-speed connection and speed-controllable
- ▶ UL listed for outdoor use
- ▶ Thermal overload protection
- ▶ Steel fan body w/epoxy polyester paint coating
- ▶ Can be mounted in any orientation
- ▶ Proven in countless commercial and high-end residential applications worldwide

with heavy-duty mounting clamps

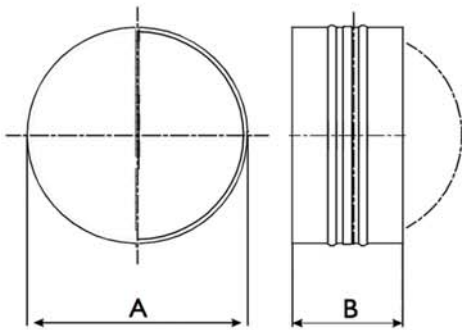
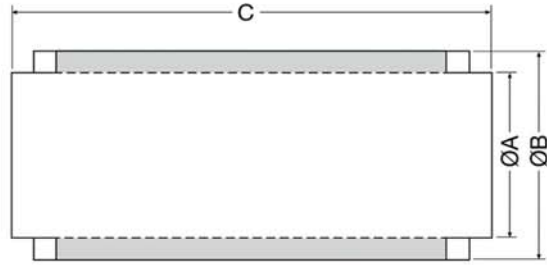


- ▶ Absorbs fan vibration and provides a tight seal
- ▶ 3/4" neoprene rubber duct seal
- ▶ Internal hanging tabs for horizontal mounting

Inline Silencer

- ▶ Cuts noise level by at least 50%
- ▶ Galvanized steel construction
- ▶ Rubber seal on inlet and outlet
- ▶ Can be mounted in any orientation

A	B	C
9 7/8	14	35 1/2



Inline Backdraft Damper

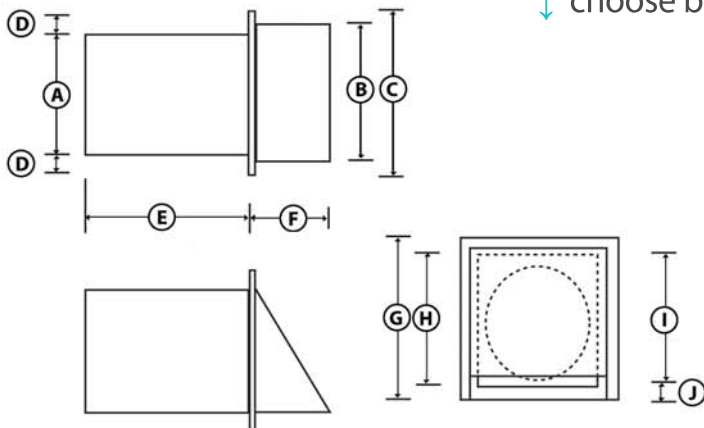
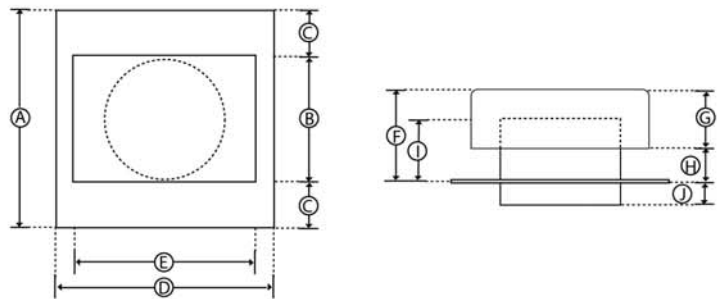
- ▶ Uses lightweight aluminum damper blades
- ▶ Galvanized steel collars
- ▶ Spring-loaded for positive closure, w/ neoprene insulation

A	B	Weight
9 7/8	3	1lb

Galvanized Steel Roofcap*

- ▶ Galvanized steel construction
- ▶ Includes #8 insect screen
- ▶ Low-profile design (*installs on any pitch*)

A	B	C	D	E	F	G	H	I	J	K
15	10	2.5	20	16	6.5	4.25	2.25	3.5	3.125	2.75



↕ choose between roofcap or wall hood ↕

Galvanized Steel Wall Hood*

- ▶ Galvanized steel construction
- ▶ Includes a built-in damper & #8 insect screen
- ▶ Rain-proof

A	B	C	D	E	F	G	H	I	J
10	12	13	1.5	5	6.75	13.5	10.3	11.8	1.125