

## PROFESSIONAL INLINE KITCHEN EXHAUST KIT | ASKI-48

Recommended for 42 or 48 inch cooktops; delivers 850 CFM through a 12" duct system. Other sizes available.



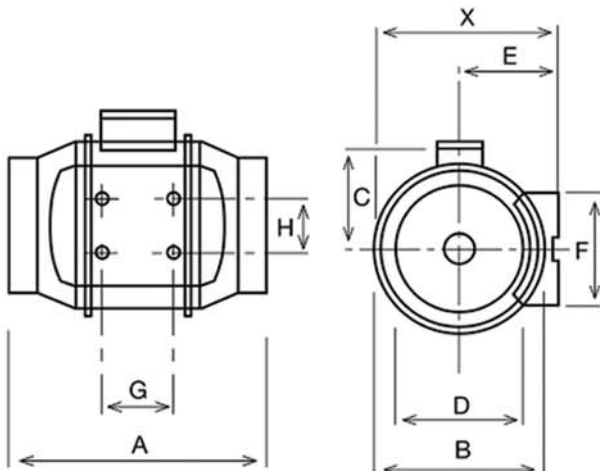
This high-flow commercial exhaust system uses a powerful inline fan located away from the range hood and acoustically isolated with a special silencer to deliver commercial ventilation performance with a fraction of the noise of typical low-flow consumer range hoods.

### The kit includes:

- **Solar & Palau TD-315 12" inline centrifugal fan** (850 cfm @ .375" sp)
- **A specially optimized silencer to minimize inline noise**
- **Inline backdraft damper to prevent backflow**
- **Heavy-duty dampening clamps (2) to absorb fan vibration**
- **Heavy-duty, high-performance galvanized roof cap (or wall hood)**



\*choose a wall hood or roof cap



### Dimensional Information

| X  | A        | B      | C       | D       | E     | F     | G       | H |
|----|----------|--------|---------|---------|-------|-------|---------|---|
| 14 | 17 11/16 | 13 1/4 | 8 13/16 | 12 5/16 | 7 3/8 | 8 1/4 | 7 13/16 | 7 |

### Performance Information

| Nom. RPM | Volts | Max. Watts | Spd  | CFM vs. Static Pressure (SP) Ins. WG |        |       |        |      |       |      | Max. SP | Duct Dia. Ins. |
|----------|-------|------------|------|--------------------------------------|--------|-------|--------|------|-------|------|---------|----------------|
|          |       |            |      | 0"                                   | 0.125" | 0.25" | 0.375" | 0.5" | 0.75" | 1.0" |         |                |
| 2500     | 115   | 335        | High | 1050                                 | 990    | 932   | 850    | 770  | 600   | 420  | 2.95    | 12.4"          |

### Soler & Palau TD-315 12" Inline Centrifugal Fan

- ▶ 850 cfm fan @ .375" static pressure
- ▶ Single-phase (120V, 60 HZ) induction asynchronous motor, with permanent capacitor and external rotor in die cast aluminum.
- ▶ Direct, two-speed connection and speed-controllable
- ▶ UL listed for outdoor use
- ▶ Thermal overload protection
- ▶ Steel fan body w/epoxy-polyester paint coating
- ▶ Can be mounted in any orientation
- ▶ Proven in countless commercial and high-end residential applications worldwide

### with heavy-duty mounting clamps

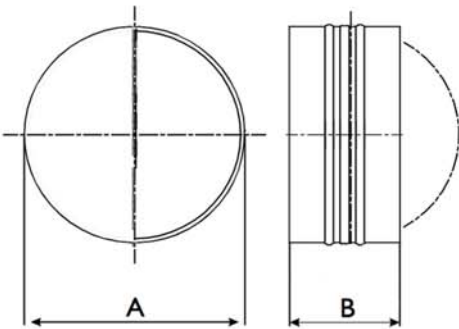
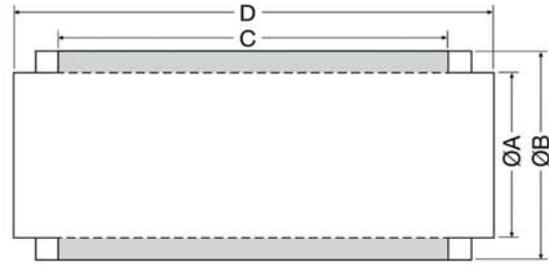


- ▶ Absorbs fan vibration and provides a tight seal
- ▶ 3/4" neoprene rubber duct seal
- ▶ Internal hanging tabs for horizontal mounting

Inline Silencer

- ▶ Cuts noise level by at least 50%
- ▶ Galvanized steel construction
- ▶ Rubber seal on inlet and outlet
- ▶ Can be mounted in any orientation

| A      | B      | C       | D        |
|--------|--------|---------|----------|
| 12 3/8 | 15 3/4 | 27 9/16 | 33 14/16 |



Inline Backdraft Damper

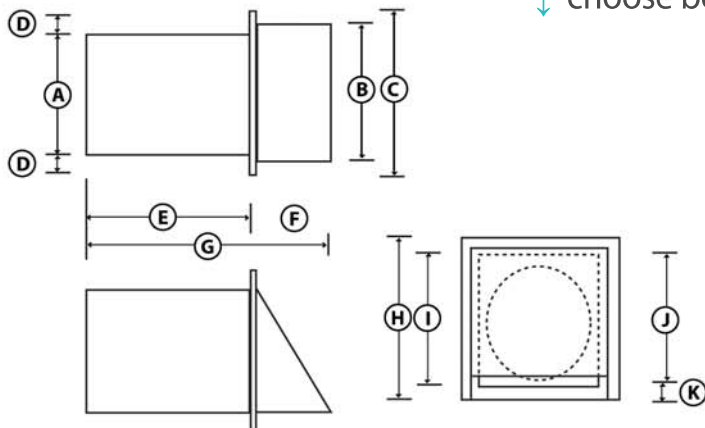
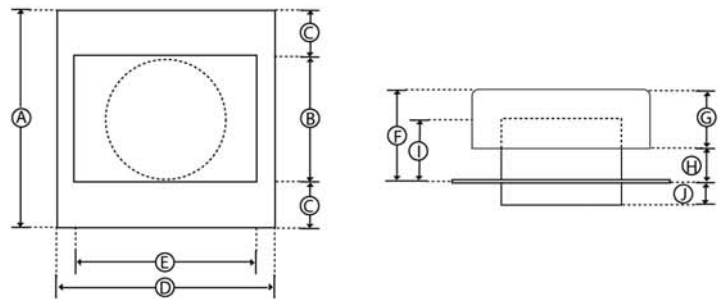
- ▶ Uses lightweight aluminum damper blades
- ▶ Galvanized steel collars
- ▶ Spring-loaded for positive closure, w/ neoprene insulation

| A      | B | Weight |
|--------|---|--------|
| 11 7/8 | 3 | 2      |

Galvanized Steel Roofcap\*

- ▶ Galvanized steel construction
- ▶ Includes insect screen
- ▶ Low-profile design (*installs on any pitch*)

| A  | B  | C | D  | E  | F    | G     | H     | I   | J     |
|----|----|---|----|----|------|-------|-------|-----|-------|
| 20 | 12 | 4 | 24 | 19 | 6.75 | 4.625 | 2.125 | 3.5 | 3.125 |



↕ choose between roofcap or wall hood ↕

Galvanized Steel Wall Hood\*

- ▶ Galvanized steel construction
- ▶ Includes a built-in damper & insect screen
- ▶ Rain-proof

| A  | B  | C    | D | E   | F    | G  | H    | I    | J    | K    |
|----|----|------|---|-----|------|----|------|------|------|------|
| 12 | 13 | 13.8 | 1 | 8.5 | 8.75 | 17 | 14.5 | 12.3 | 13.5 | .375 |

\*Wall hoods and roofcaps are also available in copper