



Features:

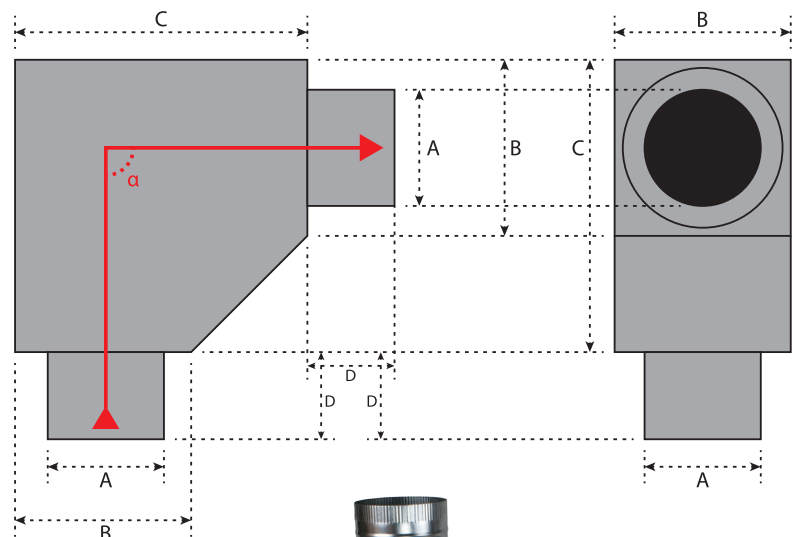
- Elbow silencer for use in kitchen exhaust or with any inline exhaust fan; sized for 8-inch diameter duct
- Elbowed design increases sound absorption relative to inline designs without sacrificing airflow
- Ideal for applications in which both noise abatement and one or more turns in the duct run are required: the rigid silencer provides a more efficient turn than crimped ductwork, maintaining airflow; at the same time, the elbow maximizes sound absorption
- Robust, corrosion-resistant aluminum construction with sound-damping fiberglass insulation; Made in the USA
- Two galvanized steel flanges for 8-inch duct included with every unit and easily attach to the silencer body

Dimensions:

(in Inches)

	A	B	C	D	α
CSL-90-8	8	12.125	20.125	6	90°

(Silencer shown above without duct connection flanges)



(Silencer with duct connection flanges attached shown at right)