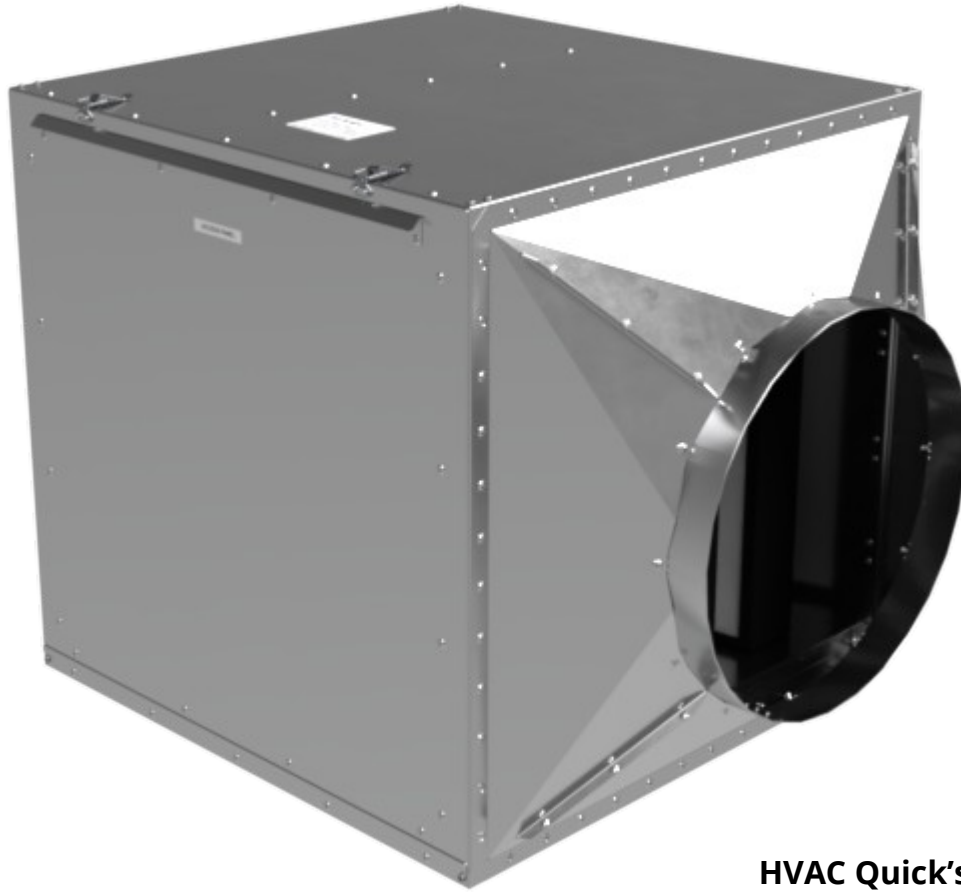
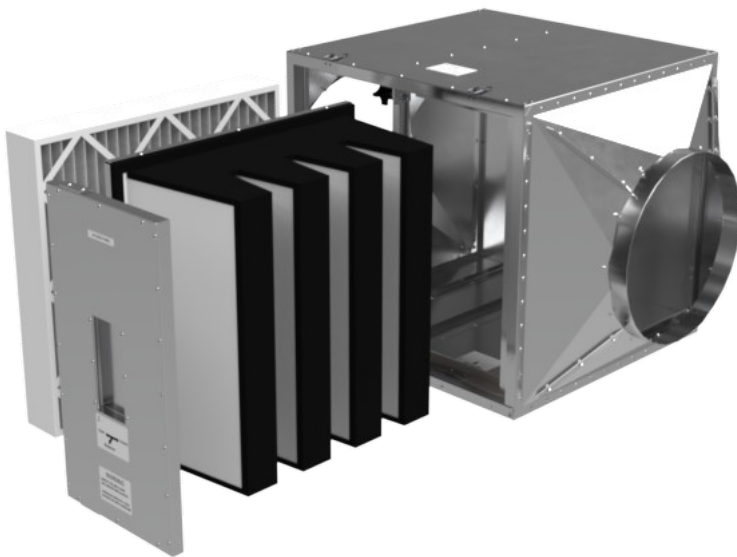


IFHB Series Inline HEPA Filter Box



HVAC Quick's IFHB Series:

Our large capacity HEPA Inline Filter Box Series is a great solution for any application requiring inline HEPA filtration. (long 2 year HEPA filter life)



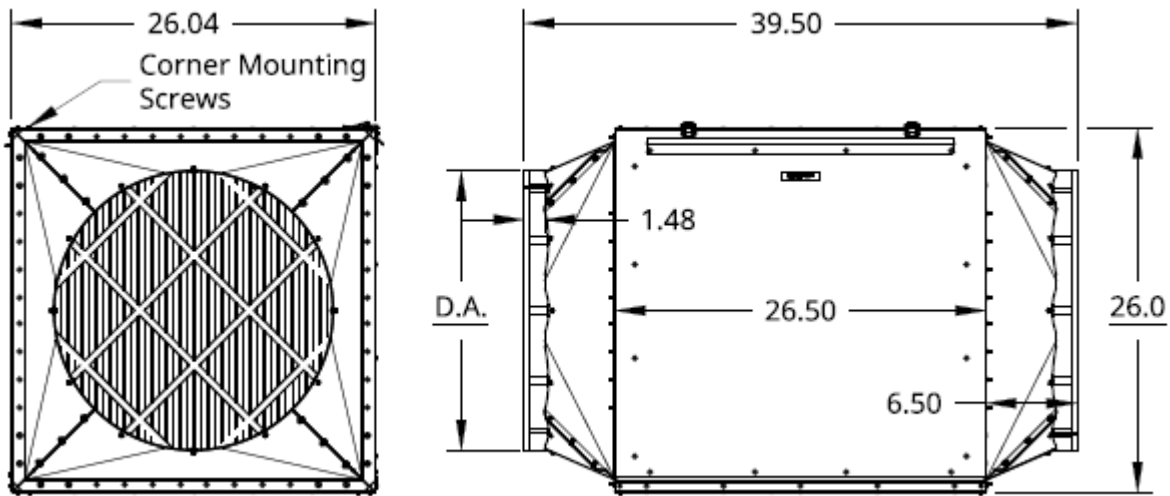
Available in sizes to fit 10, 12, 14, 16, 18 or 20 inch ducts. The Inline HEPA Filter Box is double wall constructed from Aluminum. The access panel attaches securely with latches, and opens easily for pre-filter replacements. A 4" thick MERV-11 Pre-filter and a H13 - HEPA filter is included.

The filter box comes fully assembled with two RDA duct adapter attached. RDA adapter kits can be ordered separately.

For Square Duct Adapters (SDA) call HVACquick @ 888-855-7229

Features:

- The Hemmed Duct Adapters are designed for Air-Flow and reduced resistance.
- Includes one MERV11 Pre-Filter and one high quality H13 HEPA (99.95%) filter.
- The HEPA filter has a two year life and minimizes exposure to airborne pathogens, pollen, mold and dust.
- Double wall Aluminum construction, comes with two (single wall) duct adapters.
- Adapters come attached when shipping freight, Adapter kits are also available.
- The IFHB has corner mounting screws on every corner, which are included.
- Quick Clip Access Panel



Model	Pre-Filter 4" thick MERV 11		Duct Size KDA	Flex Duct Typical Air Flow CFM	MAXIMUM AIRFLOW H13 HEPA 23.3"x23.3"x11.5" CFM	Pre-Filter Flow @ Max HEPA Velocity FPM	Pre-Filter Area (sq. ft.)	Unit Weight lbs
	L	H						
IFHB-10	24	24	10	300	1470 @ 1" W.C.	383	4	71.5
IFHB-12	24	24	12	480	1470 @ 1" W.C.	383	4	71
IFHB-14	24	24	14	700	1470 @ 1" W.C.	383	4	70.5
IFHB-16	24	24	16	1000	1470 @ 1" W.C.	383	4	70
IFHB-18	24	24	18	1300	1470 @ 1" W.C.	383	4	69.5
IFHB-20	24	24	20	1700**	1470 @ 1" W.C.	383	4	69

Units are in inches.

* Duct sizing influences the performance of the equipment used. As air flow velocity increases, the pressure drop across the filter increases exponentially (square of the velocity). The smaller the duct size the longer the filters last.

** Exceeding the maximum velocity of the HEPA Filter will damage it.