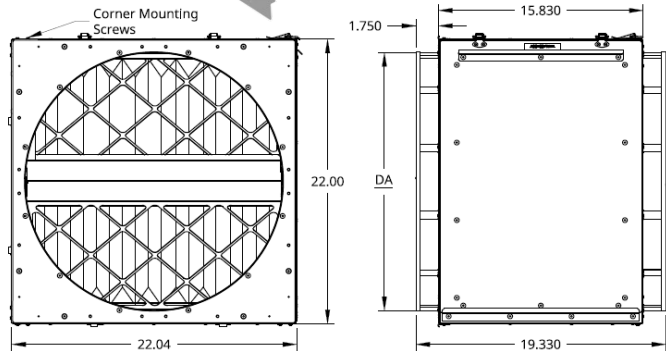
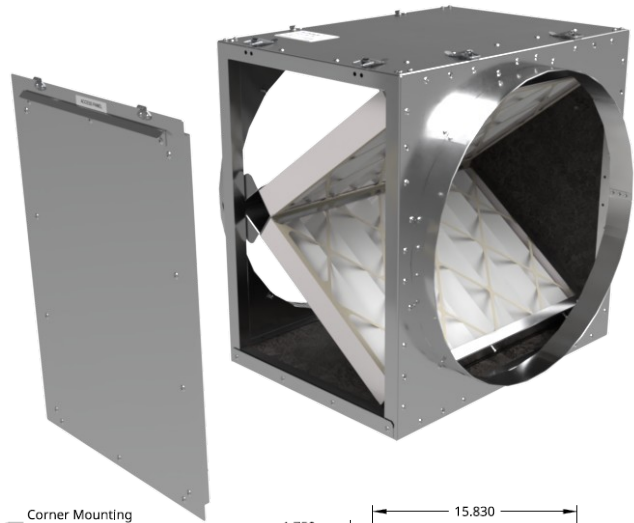


**Features:**

- The V-Bank design has a large filter area of 3.88 sq. ft (2 x 1.94 sq. ft.)
- Large filter area => lower pressure drop and larger dust holding capacity
- Includes two MERV13 filters but can accommodate other filters (carbon with pre-filters)
- Filter Box is insulated (R5) Aluminum construction, comes with attached (non-insulated) end plates and two hemmed duct adapters of your choice installed.
- The IFVB has corner mounting screws on every corner, which are included.
- Includes two rear static ports. (1/8" barb, to measure delta P, indicating the dirtiness of the filters)
- Quick Clip Access Panel



Model	Two Filters 2" thick MERV 13		Duct Sizes  Duct Adapter DA	Flex Duct Air Flow  TYPICAL Air-Flow (CFM)	Maximum Air-Flow (CFM) at preferred velocity OVER BOTH FILTERS ONLY			Filter Area (sq. ft.)  Per filter	Unit Weight lbs
	Length	Width			250 (ft/min) (.2 in w.c.)	350 (ft/min) (.24 in w.c.)	500 (ft/min) (.38 in w.c.)		
IFVB-6	14	20	6	75	972	1361	1944	1.94	20.1
IFVB-8	14	20	8	160	972	1361	1944	1.94	20.4
IFVB-10	14	20	10	300	972	1361	1944	1.94	20.6
IFVB-12	14	20	12	480	972	1361	1944	1.94	20.7
IFVB-14	14	20	14	700	972	1361	1944	1.94	21
IFVB-16	14	20	16	1000	972	1361	1944	1.94	21.5
IFVB-18	14	20	18	1300	972	1361	1944	1.94	23.3
IFVB-20	14	20	20	1700	972	1361	1944	1.94	20.8

\* Duct sizing influences the performance of the equipment used. NOTE: The possible air flow through the filter box is limited by the size of ducting attached (see typical air flow). As air flow velocity increases, the pressure drop across the filter increases exponentially (square of the velocity). The smaller the duct size the longer the filters last (load decreases). Units are in inches. We recommend sealing all ducting to the filter box by using butyl tape.