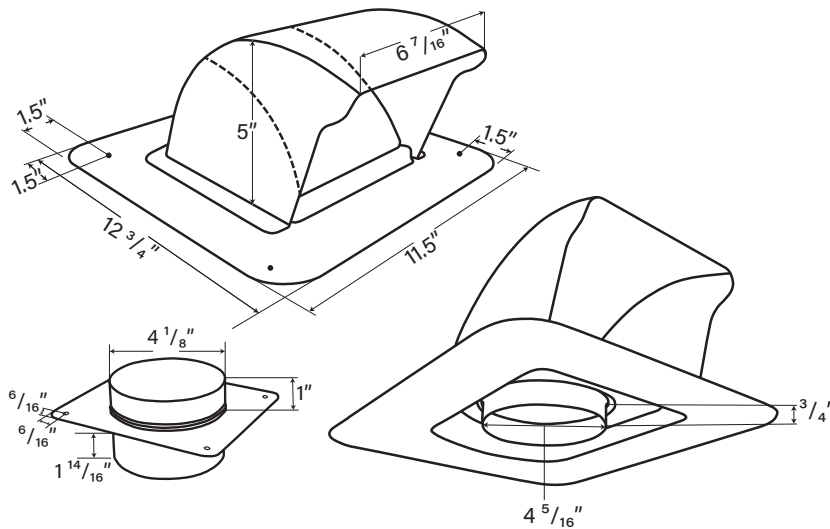


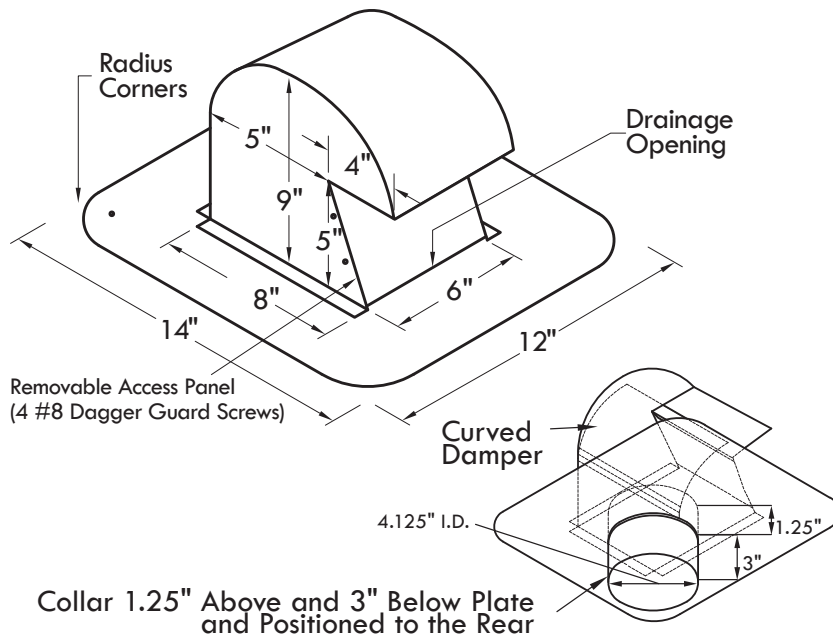
DryerJack

Technical Product Specifications

DryerJack Model 477



DryerJack Model 486



| Model | Applications |
|--------|---|
| DJK477 | Low profile, efficient termination for safely venting the dryer through the roof. |
| DJK486 | Extra clearance model for high profile tile or heavy snowfall zones. |

Performance Data

For Use:

- Non-restrictive dryer roof vent termination
- Complies with IMC 504.4 & IRC 1502.3

Material:

- 22 gauge Galvalume® Unibody Base & Hood
- 26 gauge Galvalume® Damper (Minimizes Restriction)

Weight Each:

DJK477 / 3 lbs. — DJK486 4 lbs.

General Information

Benefits:

- Venting through the roof can shorten duct length
- Improved efficiency shortens cycles, saves energy
- Damper design deters bird and rodent entry
- Access features ease duct cleaning & maintenance

Features:

- Rugged heavy gauge Galvalume
- Rounded corner nailing flange and nail holes
- Equally suitable for new and retrofit construction

Manufactured By

InOvate Technologies, Inc.
 250 S. Central Blvd. Suite 207
 Jupiter, FL 33458
 Telephone: 561-743-8696
 Facsimile: 561-745-9723
www.DryerJack.com

 **Made in the USA**