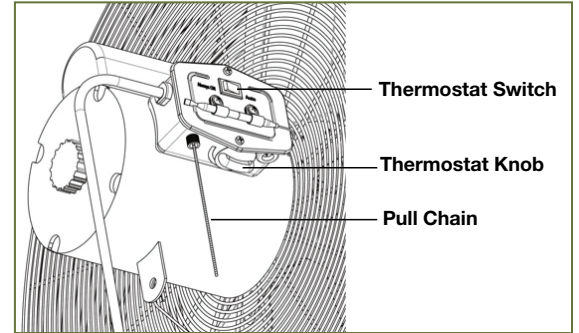
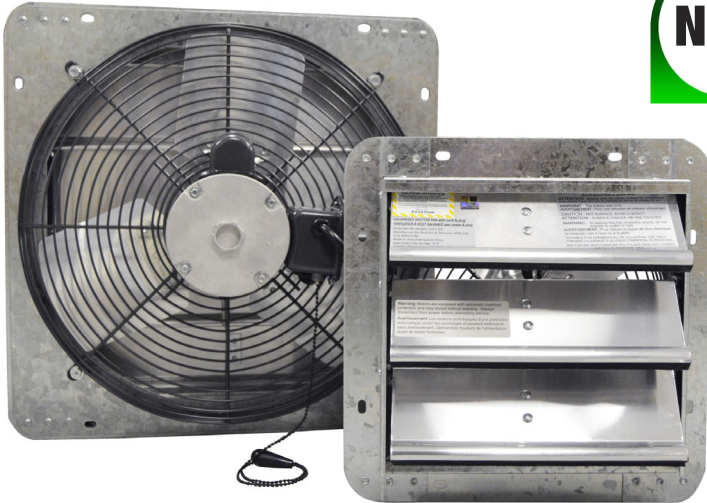


**NEW**

**GSF**

**Galvanized Shutter Fan Complete with Cord and Plug and Pull Chain Switch**

Canarm's GSF series wall exhaust fans are ideal for light commercial applications. They feature smooth, reliable, maintenance free operation. Available in 10" to 30" sizes - 3 speed pull chain on all sizes except the 30" which is 2 speed. The fans have a galvanized frame with aluminum shutters.



**FEATURES**

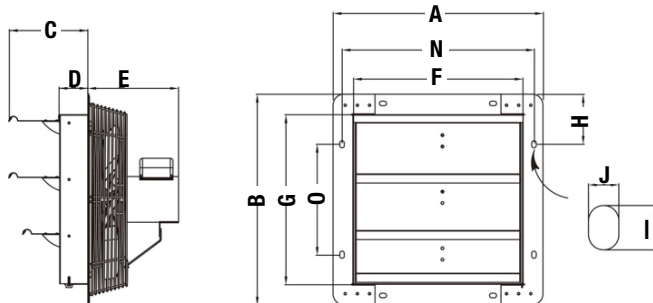
- Available in 10" to 30" sizes
- 600 to 5000 CFM
- Totally enclosed, class B insulation, thermally protected 120V motors
- 3 speed pull chain on all sizes except 30" which is 2 speed
- Galvanized frame with aluminum shutters
- Includes 25" pull chain and 6' long cord and plug
- Complete with adjustable thermostat and bypass, temperature range 32° F to 130° F (0° C to 54° C)



**SPECIFICATIONS**

Model Number	Propeller Diameter	CFM	Motor RPM	Motor HP	Full Load Amps	Bearing Type	Speed Control	No. of Shutter Blades
<b>GSF3-10A</b>	10"	600	1520	1/25	0.56	Sleeve	3	3
<b>GSF3-12A</b>	12"	772	1610	1/20	0.6	Sleeve	3	3
<b>GSF3-16A</b>	16"	1200	1580	1/20	0.83	Ball	3	4
<b>GSF3-18A</b>	18"	1736	1070	1/15	0.9	Ball	3	5
<b>GSF3-20A</b>	20"	3368	1075	1/4	2.59	Ball	3	5
<b>GSF3-24A</b>	24"	4244	1050	1/4	2.65	Ball	3	6
<b>Two Speed</b>								
<b>GSF2-30B</b>	30"	5088	825	1/3	3.1	Ball	2	8

**DIMENSIONS**



**THERMOSTAT CONTROL PANEL**



Model Number	Propeller Diameter	A	B	C	D	E	N	G	F	O	H	J	I	Suggested wall opening (sq)
<b>GSF3-10A</b>	10"	13"	13"	4 17/32"	2"	5 7/8"	11 21/32"	10 1/8"	10 1/8"	6"	3 17/32"	9/32"	1/2"	10 1/2"
<b>GSF3-12A</b>	12"	15"	15"	5 3/4"	2"	6 5/32"	13 5/8"	12 1/8"	12 1/8"	8"	3 17/32"	9/32"	1/2"	13"
<b>GSF3-16A</b>	16"	18 29/32"	18 29/32"	5 3/4"	2"	7 7/8"	17 3/4"	16"	16"	11 29/32"	3 17/32"	9/32"	1/2"	17"
<b>GSF3-18A</b>	18"	21"	21"	5 3/4"	2"	8 3/4"	19 11/16"	18"	18"	14"	3 17/32"	9/32"	1/2"	19"
<b>GSF3-20A</b>	20"	23"	23"	5 3/4"	2"	11"	21 25/32"	20"	20"	16"	3 17/32"	9/32"	1/2"	21"
<b>GSF3-24A</b>	24"	27"	27"	5 3/4"	2"	11"	25 21/32"	24 1/8"	24 1/8"	20 1/32"	3 17/32"	9/32"	1/2"	25"
<b>GSF2-30B</b>	30"	33"	33"	5 3/4"	3"	13 3/32"	31 5/8"	30 1/8"	30 1/8"	26"	3 17/32"	9/32"	1/2"	31"