

PW SERIES

Direct Drive Pressure Blower

For high static applications.

Ideal for moving non-abrasive particles such as dust or fume exhaust.



FEATURES

- Wheels are constructed of heavy cast aluminum with straight radial blades.
- Wheels are self cleaning, dynamically balanced and designed for efficient operations.
- Welded 16 gauge steel housings and motor bases.
- TEFC motors are standard.
- Comes as clockwise rotation, bottom horizontal discharge (can be rotated at 45°+ increments).

PERFORMANCE SPECIFICATIONS

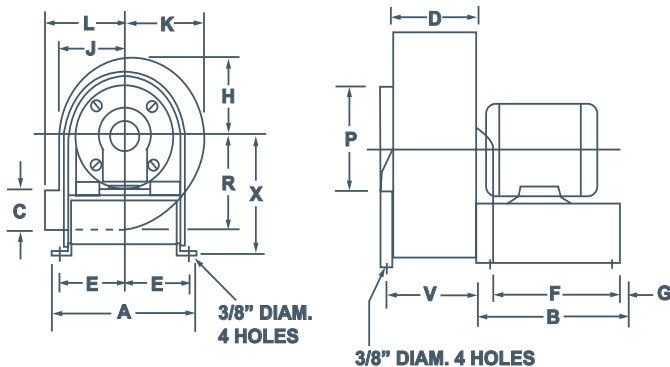
MODEL			H.P.	MOTOR FRAME	RPM	CFM @ STATIC PRESSURE																dBA @ 5 FT
SINGLE PHASE	THREE PHASE 208/230/460	THREE PHASE 575				1/4"	1/2"	1"	1 1/2"	2"	2 1/2"	3"	3 1/2"	4"	5"	6"	7"	8"	9"	10"	11"	
PW-8S	PW-8M	PW-8P	1/3	56	3600	283	274	256	237	216	192	165	129	70	--	--	--	--	--	--	--	74
PW-9S	PW-9M	PW-9P	3/4	56	3600	475	465	445	423	399	374	346	316	282	195	--	--	--	--	--	--	77
PW-11S	PW-11M	PW-11P	1.5	56	3600	786	772	746	719	692	664	635	606	575	508	431	329	--	--	--	--	84
PW-12S	PW-12M	PW-12P	3	182T	3600	1185	1171	1145	1117	1090	1062	1033	1004	974	911	842	765	672	549	--	--	90
PW-14S	PW-14M	PW-14P	5	182T	3600	--	--	--	--	--	--	--	--	--	1685	1587	1482	1367	1236	1081	874	474
PW-14SX-7.5**	PW-14MX-7.5**	PW-14PX-7.5**	7.5	213	3600	2100	2070	2037	1995	1952	1909	1866	1822	1777	1685	1587	1482	1367	1236	1081	874	474
MODEL PW: EXPLOSION PROOF DIRECT DRIVE PRESSURE BLOWERS																						
PW-8SX	PW-8MX	--	1/3	56	3600	283	274	256	237	216	192	165	129	70	--	--	--	--	--	--	--	74
PW-9SX	PW-9MX	--	3/4	56	3600	475	465	445	423	399	374	346	316	282	195	--	--	--	--	--	--	77
PW-11SX	--	--	1.5	56	3600	786	772	746	719	692	664	635	606	575	508	431	329	--	--	--	--	84
--	PW-11MX**	PW-12PX**	1.5	143T	3600	786	772	746	719	692	664	635	606	575	508	431	329	--	--	--	--	84
PW-12SX	PW-12MX	PW-12PX	3	182T	3600	1185	1171	1145	1117	1090	1062	1033	1004	974	911	842	765	672	549	--	--	90
PW-14SX	PW-14MX	PW-14PX	5	182T	3600	--	--	--	--	--	--	--	--	--	1685	1587	1482	1367	1236	1081	874	474
PW-14SX-7.5**	PW-14MX-7.5**	PW-14PX-7.5**	7.5	213	3600	2100	2070	2037	1995	1952	1909	1866	1822	1777	1685	1587	1482	1367	1236	1081	874	474

* Fan should not be run at static pressure less than shown in above table, motor overload will result. dBA ratings shown are measured at 0" static pressure, and should be used as a guideline only.

** Special order models.

DIMENSIONS

BLOWER	WHEEL	A	B	C	D	E	F	G	H	J	K	L	P	R	X	V
PW-8	7 3/4" x 2 1/4"	11"	8"	3"	3"	5"	7"	1/2"	5 3/8"	4 7/8"	5 7/8"	5 7/8"	4"	6 5/8"	9"	--
PW-9	9" x 2 3/4"	12 1/8"	8"	3 1/2"	3 1/2"	5 5/8"	7"	1/2"	6 3/8"	5 3/4"	6 7/8"	6 3/4"	5"	7 1/2"	9 7/8"	--
PW-11	10 5/8" x 3"	14 3/4"	9"	4"	3 1/2"	6 7/8"	7 1/2"	3/4"	7 1/4"	6 1/2"	8"	7 5/8"	6"	8 5/8"	11 3/4"	--
PW-12	12 1/2" x 3"	17"	8"	5"	4"	8"	6 1/2"	3/4"	8 1/4"	7 1/2"	9"	9 5/8"	7"	10"	10 5/8"	--
PW-14	13 1/2" x 4 3/8"	17 5/8"	11 1/4"	7 1/8"	5 3/4"	8"	9 3/4"	1"	10 1/2"	9 5/8"	11 3/8"	11"	8"	11 1/2"	12 5/8"	7 1/4"



RELATED PRODUCTS



KE SERIES
Direct Drive Radial Blade Blowers



D SERIES
Direct Drive Forward Curved Blowers