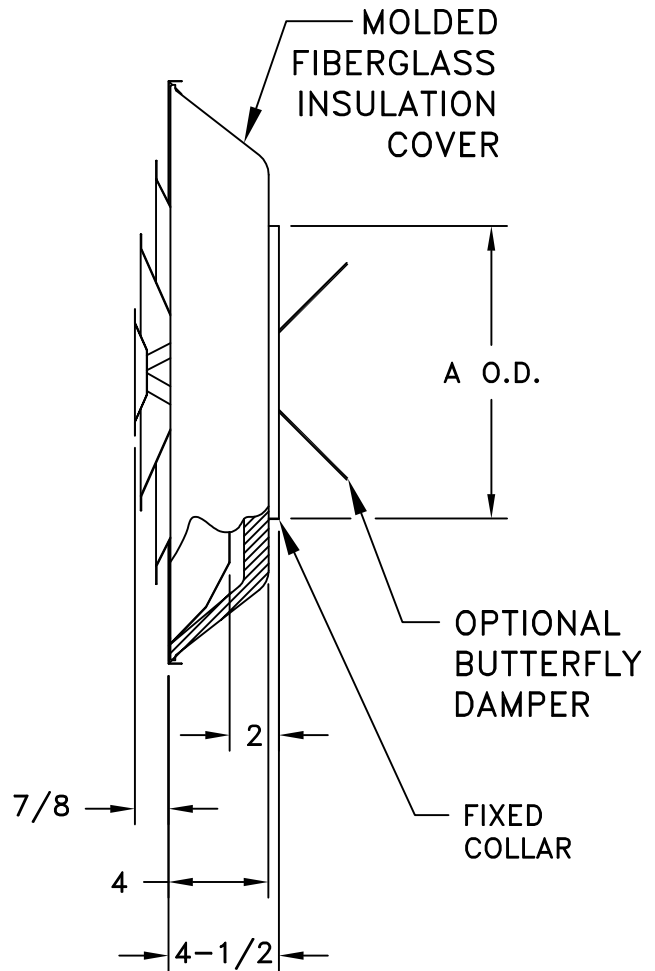
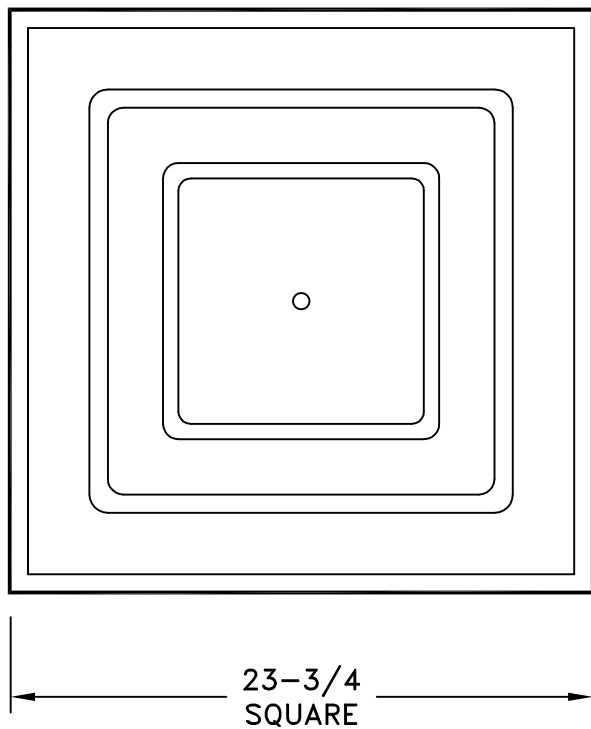




SUBMITTAL DRAWING

- ALL STEEL CONSTRUCTION
- MOLDED R6 FIBERGLASS INSULATION COVERS BACKPANEL
- FITS STANDARD 2' X 2' T-BAR CEILING SYSTEMS
- OPTIONAL R-22, R-32, AND R-42 ROUND DAMPER FOR SURFACE MOUNT USE AL10PF SURFACE MOUNT FRAME
- AVAILABLE IN 6-14 INCH COLLAR SIZES
- FINISH: WHITE (W) ENAMEL



SIZE	A O.D.
6	5-7/8
8	7-7/8
10	9-7/8
12	11-7/8
14	13-7/8

JOB NAME: _____	SUBMITTED BY: _____	DATE: 5/13	PG 58.2
LOCATION: _____		Model 1530 4-Way Pattern Step Down Ceiling Diffuser With R6 Fiberglass Insulation	
ARCHITECT: _____			
ENGINEER: _____			
CONTRACTOR: _____			