

1-ABS Series



Applications

- Utilizing a sealed, submersible pump with sump-type pick-up, the 1-ABS offers low on and off levels and is ideal for in-pan placement for condensate removal. An integrated, unique float switch design assures reliability and security while providing easy access to the float for servicing.

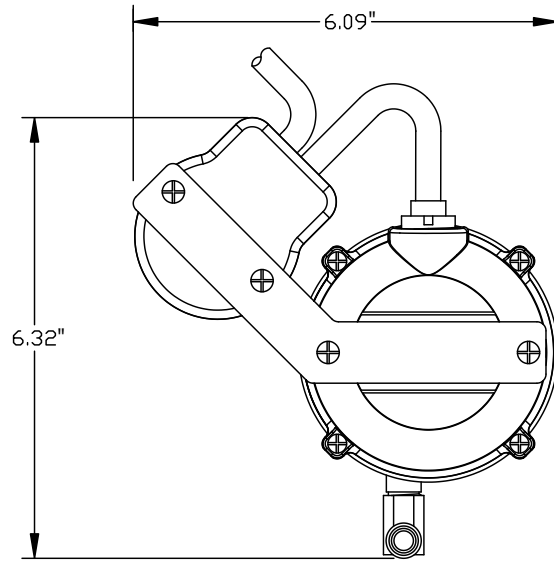
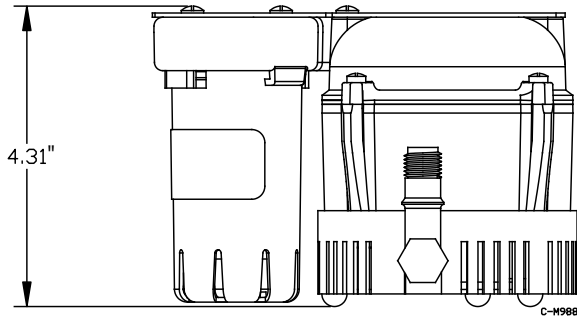
Features

- Permanently lubricated motor bearings require no maintenance during life of pump
- Oil-filled to maximize heat dissipation
- Epoxy-coated cast aluminum pump housing
- Automatic on-off operation
- Easy to remove float housing for servicing
- Includes removable inlet filter screen
- Includes 90° 1/4" MNPT adapter (suitable for 1/2" I.D. vinyl tubing)
- Low on and off level – turns on at 1-3/4" and off at 1-1/4" – will operate in most standard condensate drain pans
- Includes 9 ft power cord with molded plug (115 V versions)
- Item 550522 includes tank

Construction

Motor: 1/150 hp
Discharge: 1/4" MNPT
Housing: Epoxy-coated cast aluminum
Cover: Epoxy-coated cast aluminum
Volute: Nylon
Impeller: Nylon
Shaft Seal: Nitrile
Screen: Polyethylene
Switch Bracket: Stainless steel
Switch: ABS

Dimensional Outlines



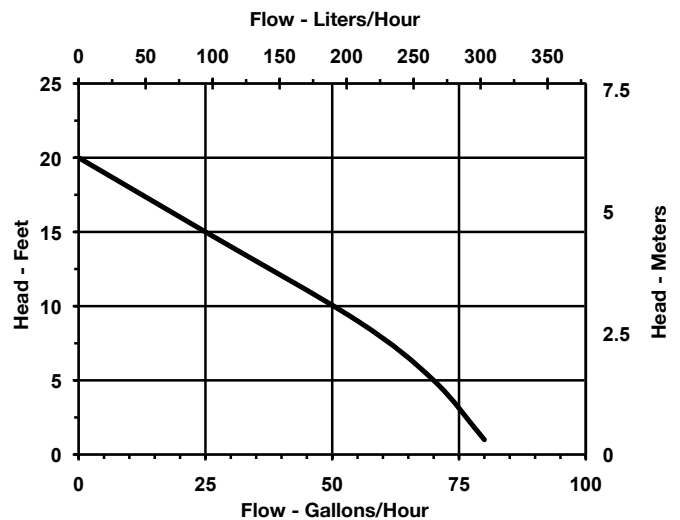
Specifications

Item No.	Model No.	Discharge	HP	Volts	Hertz	Amps	Watts	Performance (GPH @ Head)			Shut Off	PSI	Power Cord	Weight
								1'	3'	5'				
550521	1-ABS	1/4"	1/150	115	60	1.1	70	205	180	145	10'	4.3	9'	4.11
550532	1-ABS	1/4"	1/150	230	50/60	0.6/0.5	70	205	180	145	10'	4.3	11'	4.31
550522	1-ABS with tank	1/4"	1/150	115	60	1.1	70	205	180	145	10'	4.3	9'	4.35

Replacement Parts

Item	Part Number
Volute	116375
Impeller	116437
Seal Ring	928007
Screen	101376
Tank	150102 (for 550552 only)
Float Replacement	950060
Float Screen	950284

Performance



Franklin Electric
 P.O. Box 12010
 Oklahoma City, OK 73157-2010
 Phone: 1.800.701.7894
 Fax: 1.800.678.7867
 www.LittleGiantPump.com