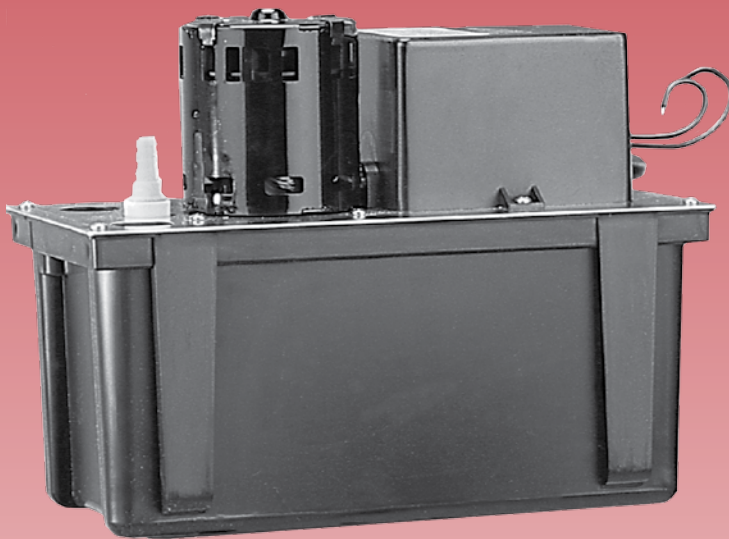


VCL-45 Series



Applications

- Designed for high head and high capacity automatic collection and removal of condensate from air conditioning, refrigeration and dehumidification equipment when gravity drainage is not possible or practical. Also suitable for high efficiency oil and gas-fired condensing furnace and condensing boiler equipment.

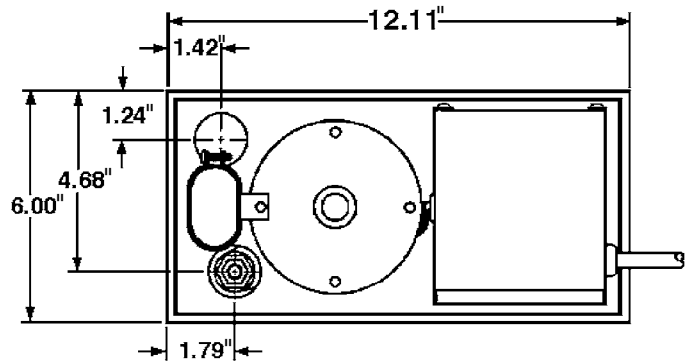
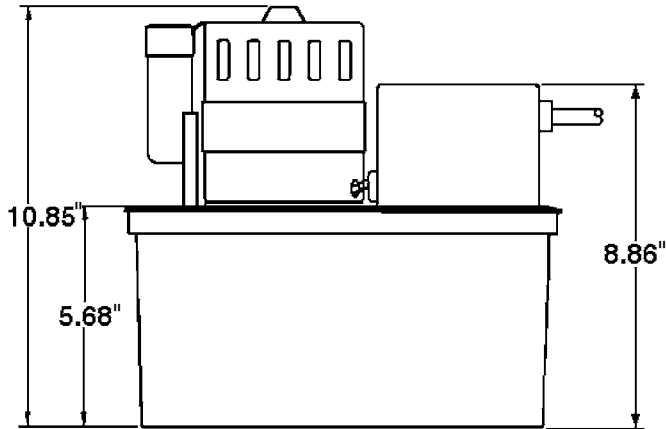
Features

- 1 gallon collection tank
- Vertical centrifugal pump design
- Automatic start and stop operation
- Includes float (solid polymer) activated switch for automatic high level water detection (safety overflow switch)
- Safety overflow switch: dual function NO and NC operation (set to NO from factory for equipment shut down connection)
- Safety overflow switch includes two 5" switch lead wires
- 3/8" copper tube discharge (for use with 3/8" I.D. vinyl tubing)*
 - * Optional check valve for 3/8" copper tube sold separately (Part Number 599064)
- Two 1-1/8" diameter inlet openings
- Thermally protected, fan cooled PSC-motor
- Maximum water temperature: 120 °F
- 6 ft 3-conductor cable with grounded 3-prong plug

Construction

- Pump housing — ABS
- Switch housing — ABS
- Tank — ABS
- Tank cover — Galvanized steel
- Motor shaft — Stainless steel
- Impeller — Polypropylene
- Discharge — 3/8" copper tube

Engineering Data



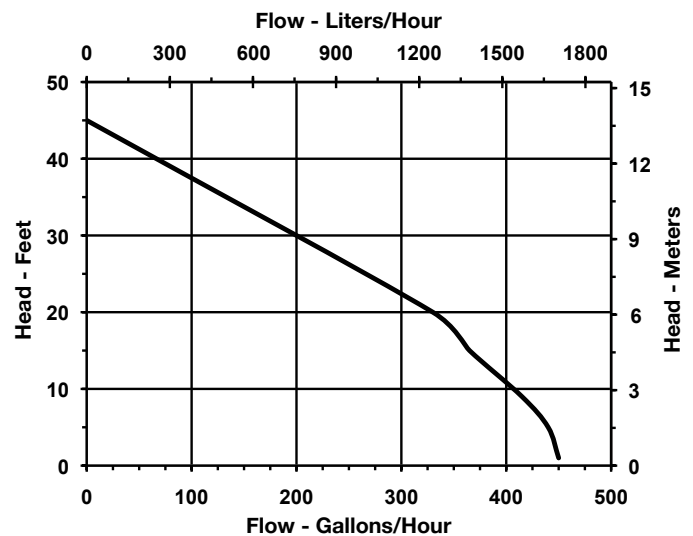
Specifications

Item No.	Model No.	Discharge Size	HP	Volts	Hertz	Amps	Watts	Performance (GPH@Head)					Shutoff		Cord Length (ft)	Weight (lbs)
								1'	3'	5'	9'	15'	Ft	PSI		
553240	VCL-45ULS	3/8" OD Copper	1/5	115	60	3.5	185	450	445	440	415	380	45	19.5	6	13.00
553245	VCL-45ULS	3/8" OD Copper	1/5	230	50/60	1.0	250	450	445	440	415	380	45	19.5	6	14.00

Replacement Parts

Item	Part Number
Tank	153502
Float/switch assy.	153537
Seal ring	928025
Impeller	153520
Switch, pump	950337
Switch, safety	950333

Performance Data



P.O. Box 12010
 Oklahoma City, OK 73157-2010
 Phone: 1.800.701.7894
 Fax: 1.800.678.7867
www.LittleGiantPump.com