

Specification Submittal Data / Panasonic Ventilation Fan

Description

Ventilating fan shall be low noise ceiling mount type rated for continuous run. Fan shall be certified by the Home Ventilating Institute (HVI). Fan shall also be evaluated by Underwriters Laboratories and conform to both UL and cUL safety standards.

Motor/Blower:

- Four-pole fully enclosed condenser motor rated for continuous run.
- Power rating shall be 120 volts and 60 Hz.
- Fan shall be UL listed for tub/shower enclosure when GFCI protected and used in insulated ceiling (TYPE I.C.).
- Motor equipped with thermal-cut-off fuse.
- Removable with permanently lubricated plug-in motor.

Housing:

- Rust proof paint, galvanized steel body.
- 6" diameter duct adapter.
- Built-in metal flange provides blocking for penetrations through drywall as an Air Barrier, and assists with the decrease in the leakage in the Building Envelope during blower door testing.
- Built in backdraft damper.
- Double hanger bar system allowing for ideal positioning.
- Expandable extension bracket up to 26".

Grille:

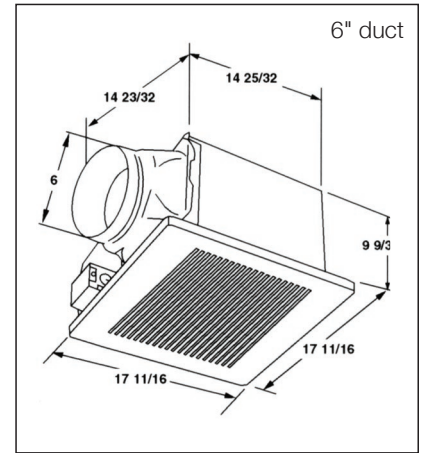
- Attractive design using Poly Pro material.
- Attaches directly to housing with torsion springs.

Warranty:

- ALL Parts: 3 years from original purchase date.

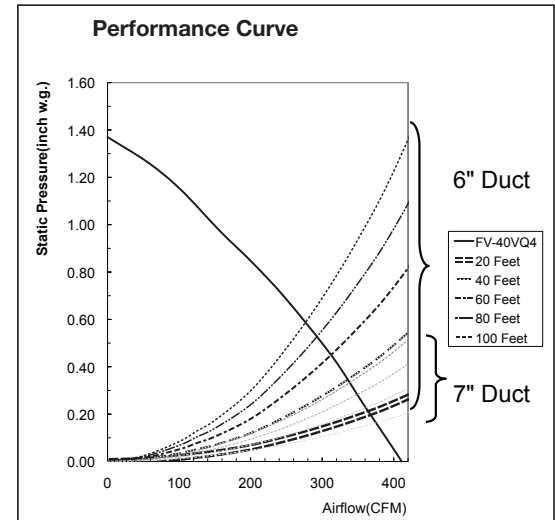
Architectural Specifications:

Ventilating fan shall be ceiling mount, with no less than 390 CFM and no more than 3.0 sones as certified by the Home Ventilating Institute (HVI) at 0.1 wg and no less than 356 CFM and no more than 3.0 sones at .25 wg. Power consumption shall be no greater than 112 Watts at .1 wg and 110 Watts at .25 wg. Energy efficiency shall be no less than 3.5 CFM/Watt at .1 wg and 3.3 CFM/Watt at .25 wg. The motor shall be fully enclosed, four pole condenser type engineered to operate continuously. Power rating shall be 120v/60Hz. Duct diameter shall be no less than 6". Fan shall be UL and cUL listed for tub/shower enclosure when GFCI protected. Fan can be used to comply with ASHRAE 62.2, LEED, EarthCraft, California Title-24, and WA Ventilation Code.



FV-40VQ4

Specifications: WhisperCeiling FV-40VQ4	6" Duct	
Static Pressure in inches w.g.	0.1	0.25
Air Volume (CFM)	390	356
Noise (sones)	3.0	3.0
Power Consumption (watts)	112	110
Energy Efficiency (CFM/Watt)	3.5	3.3
Speed (RPM)	793	874
Current (amps)	0.99	0.98
ENERGY STAR	NO	



For complete Installation Instructions visit us.panasonic.com/ventfans

Model	Quantity	Comments	Project:
			Location:
			Architect:
			Engineer:
			Contractor:
			Submitted by:
			Date:

Panasonic Life Solutions Company of America
IAQ Division
Two Riverfront Plaza
Newark, NJ 07102
us.panasonic.com/ventfans

