

# PRIMEX HVAC VENTING

## Product Specification Sheet

PRODUCT MODEL CODE

# RVL28

Low-Profile Roof Vent

### 1. PRODUCT SUMMARY

The Primex Low-Profile Roof Vent (RVL28) is built for the exhaust of dryers, bathroom/kitchen fans, stove vents, and intake for furnaces, fresh air make-up, and attic venting.

The standard configuration of the RVL28 comes with a removable screen and damper. The 4 to 8-inch adapters are sold separately.

### 2. PRODUCT DIMENSIONS

HOOD SIZE: H: 10" / W: 10.6" / D: 4.6"

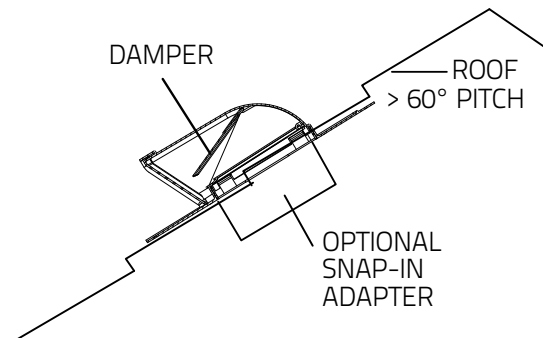
### 3. FEATURES & BENEFITS

- Enhances aesthetics with low profile that blends in with roof.
- Maximize inventory turns with single hood size and separate 4 to 8 inch easy snap-in adapters.
- Excellent for areas with high wind.
- Eliminates leaky joints and maximizes water protection with one-piece, molded hood.
- Oversized flange ensures watertight installation.
- Long lasting durability with UV-protected, impact resistant Polymer resin.
- Intake/exhaust conversion via removable damper.

**NOTE:** For dryer applications we recommend 'No screen (NS)' model.

### 4. COLOURS

- |                   |                   |
|-------------------|-------------------|
| ▪ Black (25)      | ▪ Snow White (01) |
| ▪ Dark Brown (68) | ▪ Tan (45)        |
| ▪ Dark Grey (28)  | ▪ Taupe (23)      |
| ▪ Light Grey (31) | ▪ Light Grey (31) |



RVL28 - LOW PROFILE VENT

#### FOR MORE INFORMATION CONTACT:

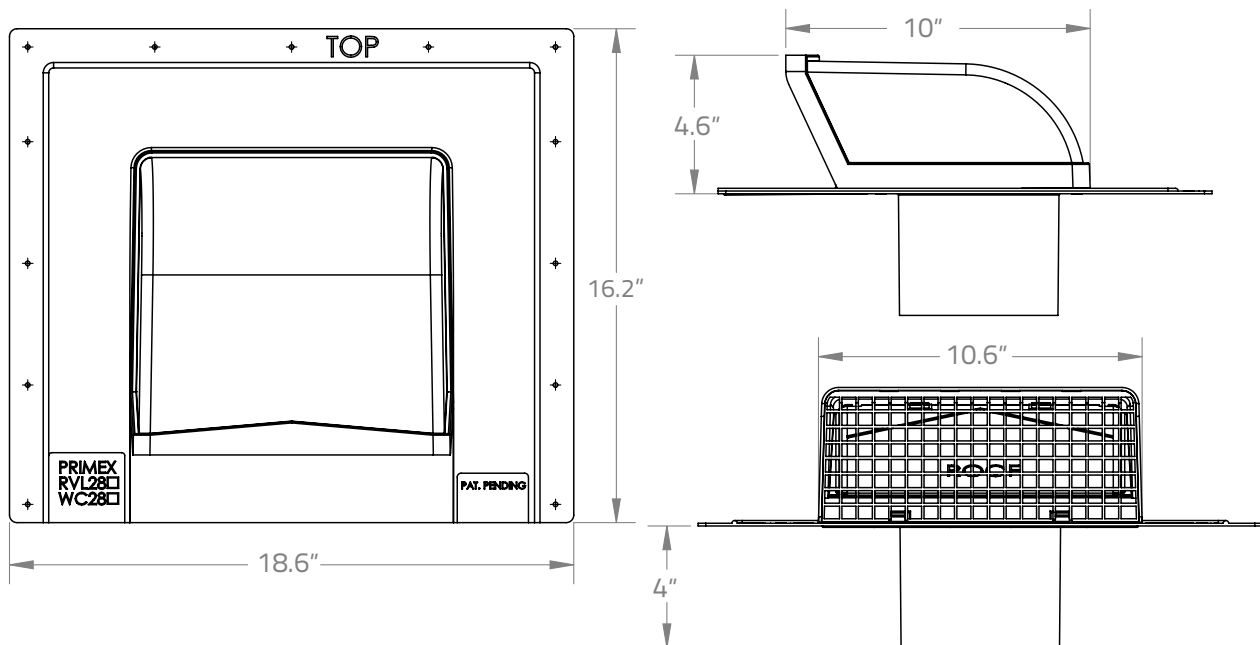
20160 92A Avenue Langley BC V1M 3A4 Canada  
📞 1.877.881.7875 📧 info@primexfits.com [primexfits.com](http://primexfits.com)

**primex**  Fit everything. Together.

5. SIZING/PART NUMBER

LOW-PROFILE ROOF VENT/WALL CAP				
PART NUMBER	SIZE	FREE AREA	DESCRIPTION	PKG
RVL28	7.5" x 7.25" x 9.38"	27.8 sq. in.	Roof mount: intake/exhaust vent w/screen	6/box
RVL28NS	7.5" x 7.25" x 9.38"	40.3 sq. in.	Roof mount: intake/exhaust vent w/o screen	6/box
ADAPTER				
PART NUMBER	SIZE	FREE AREA	DESCRIPTION	PKG
RV28-4	4" diameter	12.6 sq. in.	Duct adapter: 4"	30/pkg
RV28-5	5" diameter	19.6 sq. in.	Duct adapter: 5"	30/pkg
RV28-6	6" diameter	27.8 sq. in. 28.3 NS	Duct adapter: 6"	25/pkg
RV28-7	7" diameter	27.8 sq. in. 38.5 NS	Duct adapter: 7"	25/pkg
RV28-8	8" diameter	27.8 sq. in. 40.3 NS	Duct adapter: 8"	18/pkg

6. TECHNICAL DRAWINGS



FOR MORE INFORMATION CONTACT:

20160 92A Avenue Langley BC V1M 3A4 Canada  
 ☎ 1.877.881.7875 ✉ info@primexfits.com [primexfits.com](http://primexfits.com)