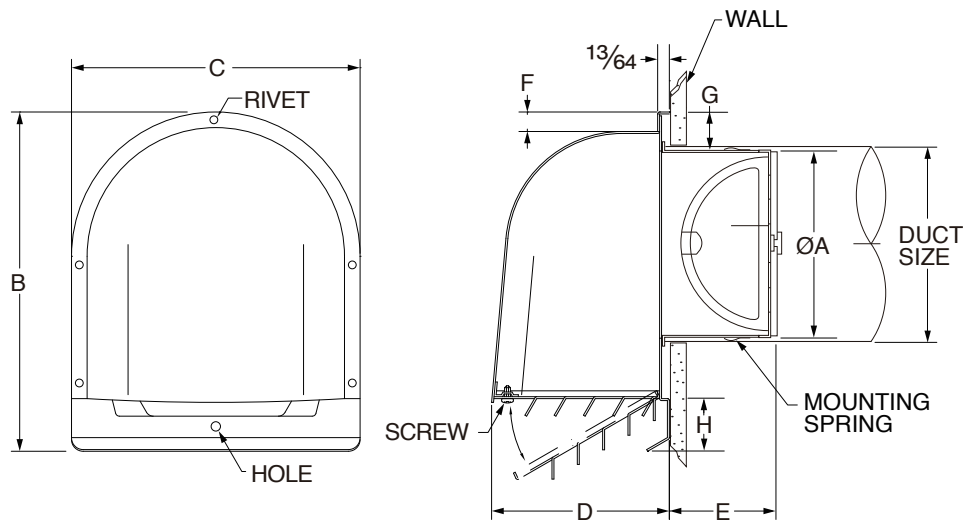


Aluminum Dryer Vent Cap Model:CFXC

- Standard with Backdraft Damper
- Large Vents Reduce Clogging
- All Aluminum Construction
- Weather Resistant

- Material:Aluminum
- Standard Finish: Clear Anodized (Custom Colors Available)



MODEL	DUCT SIZE	A	B	C	D	E	F	G	H	FREE AREA
CFXC 4	4"	3 ¹³ / ₁₆	7 ³ / ₁₆	5 ⁷ / ₈	3 ⁷ / ₈	2 ⁵ / ₃₂	7 ¹ / ₁₆	2 ⁵ / ₃₂	1 ³ / ₈	0.03sq.ft
CFXC 6	6"	5 ²³ / ₃₂	9 ³ / ₈	7 ²⁹ / ₃₂	5 ⁷ / ₃₂	3 ³ / ₄	1 ⁵ / ₃₂	2 ⁵ / ₃₂	1 ³ / ₈	0.08sq.ft

Dimensions are in inches. Product information is subject to change without notice.

JOB NAME: _____
 LOCATION: _____
 ARCHITECT: _____
 ENGINEER: _____
 CONTRACTOR: _____

SUBMITTED BY: _____

DATE: _____

Model:CFXC
 Aluminum Dryer Vent Cap

Form No. 922-50