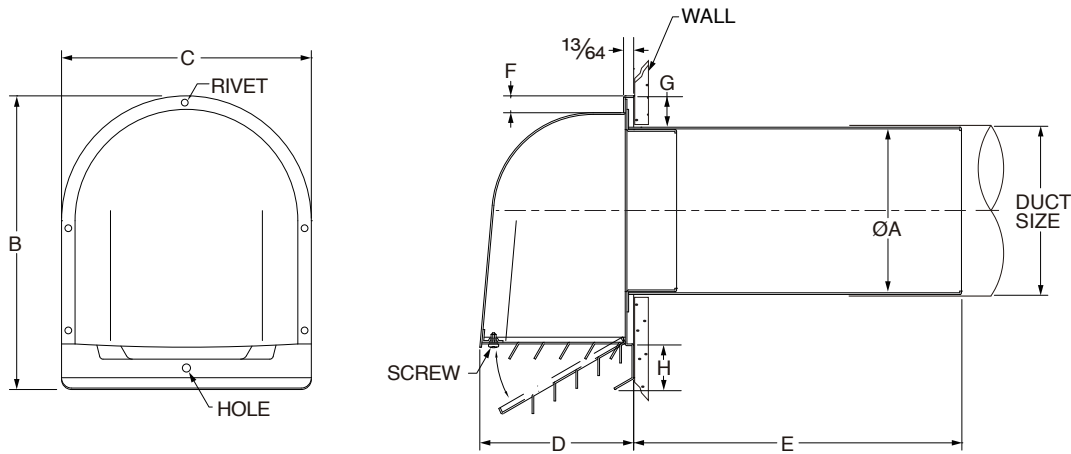


Aluminum Dryer Vent Cap Model:CFX-P

- Large Vents Reduce Clogging
- With Heavy Duty 8 1/2" Long Aluminum Pipe
- All Aluminum Construction
- Weather Resistant

- Material:Aluminum
- Standard Finish: Clear Anodized (Custom Colors Available)



MODEL		A	B	C	D	E	F	G	H	FREE AREA
CFX 4P	4"	3 13/16	7 3/16	5 7/8	3 7/8	8 1/2	7/16	25/32	1 3/8	0.03sq.ft
CFX 6P	6"	5 23/32	9 3/8	7 29/32	5 7/32	8 1/2	15/32	25/32	1 3/8	0.08sq.ft

Dimensions are in inches. Product information is subject to change without notice.

JOB NAME: _____
 LOCATION: _____
 ARCHITECT: _____
 ENGINEER: _____
 CONTRACTOR: _____

SUBMITTED BY: _____

DATE: _____

Model:CFX-P
Aluminum Dryer Vent Cap

Form No. 928-12