

Dryer Vents

Model: **SB-P & SFB-P**



Model: **SB-P**



Model: **SFB-P**

MATERIAL

- Aluminum

FINISH

- Clear Anodized
- Custom Colors Available

New!

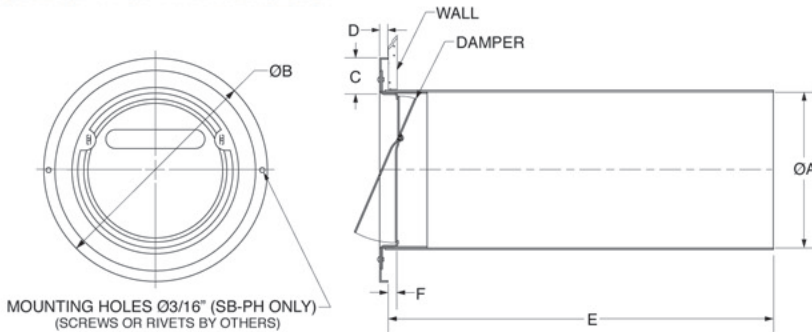
Our dryer vents SB and SFB are now available with a rigid, heavy-duty 8.6" long aluminum pipe attached to it. The round pipe is ideal for through-the-wall mounting, and is available in two sizes, Ø4" and 6". The SB-P and SFB-P Dryer Vents come standard with a flapper damper, preventing outside air from back-drafting into the house through the dryer. The heavy-gauge anodized aluminum construction is corrosion-resistant for durability.

Note: No louver manufacturer warrants their louver to prevent water penetration under all possible circumstances of wind and rain.

FEATURES

- With Back-Draft Flapper Damper
- With Heavy Duty 8.6" Long Aluminum Pipe
- 4" or 6" Round Duct Connection
- Large Free Area Reduces Clogging
- Aluminum Construction
- Anodized Finish for Corrosion Protection
- Ø3/16" Mounting Holes (SB-PH & SFB-PH)

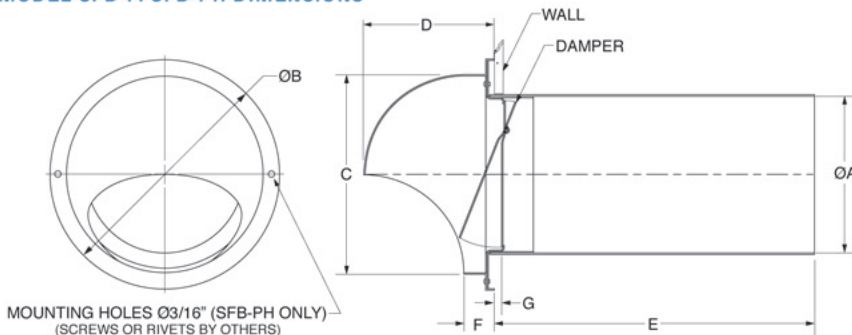
MODEL SB-P/SB-PH DIMENSIONS



MODEL	A	B	C	D	E	F	FREE AREA
SB 4P/SB 4PH	4	5 3/4	1 7/8	9/32	8 1/2	7/32	0.059 sq.ft.
SB 6P/SB 6PH	6	7 3/4	1 7/8	9/32	8 1/2	1/2	0.140 sq.ft.

Product information is subject to change without notice. All dimensions in inches.

MODEL SFB-P/SFB-PH DIMENSIONS



MODEL	A	B	C	D	E	F	G	FREE AREA
SFB 4P/SFB 4PH	4	6 3/32	5 1/8	3 17/32	8 1/2	1	9/32	0.056 sq.ft.
SFB 6P/SFB 6PH	6	8 3/32	7 3/32	4 17/32	8 1/2	1	9/16	0.140 sq.ft.

Product information is subject to change without notice. All dimensions in inches.

