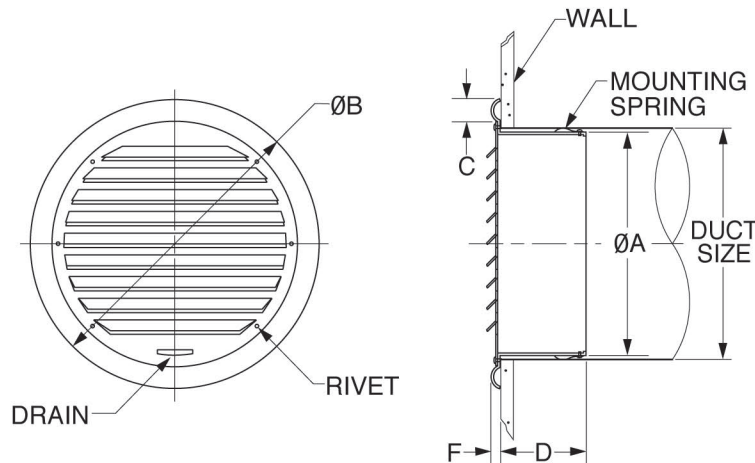


Model: **SX-S**

Stainless Steel Vent Cap

- Fresh Air Intake/Exhaust Outlet
- For Interior and Exterior Location
- Optional Insect Screen (SX-SN)

- **Material: Stainless Steel**
- **Standard Finish: Polished**



MODEL	DUCT SIZE	A	B	C	D	F	FREE AREA
SX 4S	4	3 ¹³ / ₁₆	5 ²³ / ₃₂	1 ⁹ / ₃₂	1 ²¹ / ₃₂	⁹ / ₃₂	0.04 sq. ft.
SX 6S	6	5 ²³ / ₃₂	8	²⁵ / ₃₂	2 ³ / ₄	⁹ / ₃₂	0.08 sq. ft.

Product information is subject to change without notice. All dimensions in inches.

JOB NAME: _____
 LOCATION: _____
 ARCHITECT: _____
 ENGINEER: _____
 CONTRACTOR: _____

SUBMITTED BY: _____

DATE: _____

Model SX-S
 Stainless Steel Vent Cap

Form No.460-22