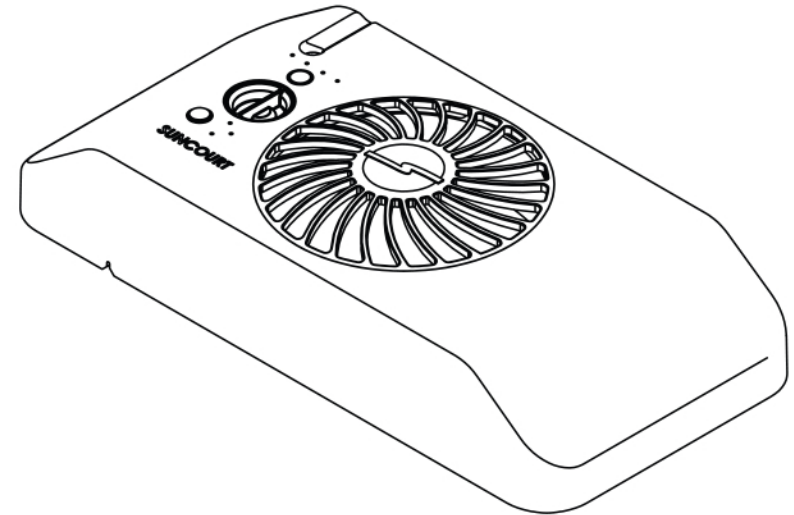
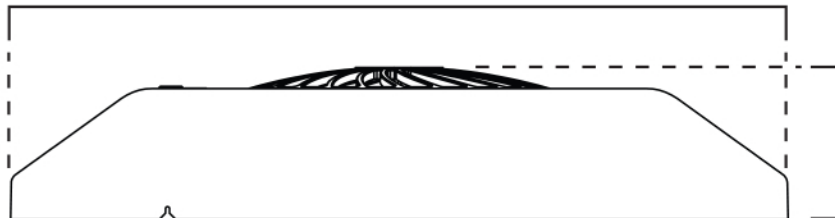


TOP VIEW

6-27/32"



14-7/32"



FRONT VIEW

2-25/32"



SIDE VIEW

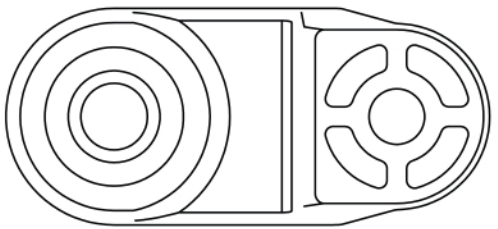
N.T.S.



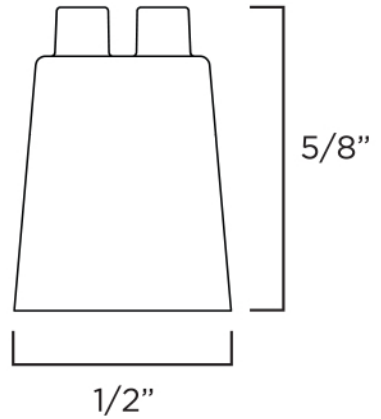
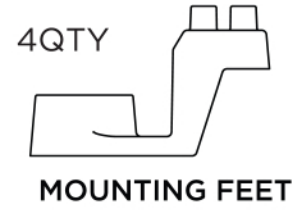
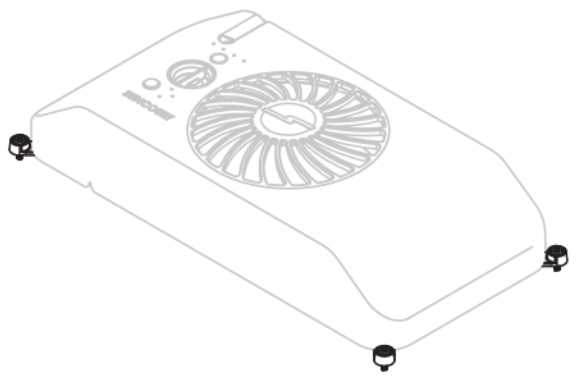
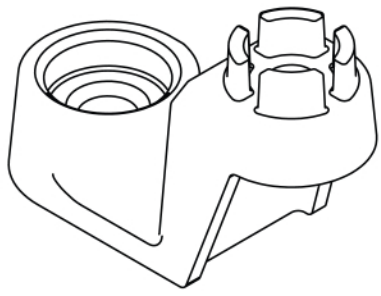
**MODEL: HC600**

**BOOSTS AIRFLOW TO ROOMS  
THAT ARE TOO HOT OR TOO COLD**

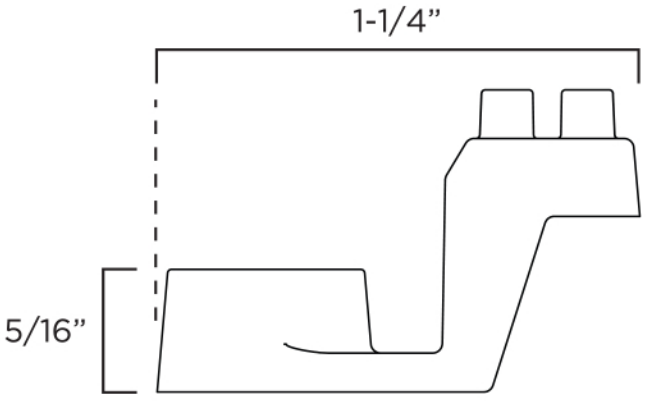
UNIT WEIGHT: 1.50 LBS. • 6' CORD W/ POWER ADAPTER  
RATED: 12 VDC 500 MA • 12.3 WATTS • ETL® LISTED  
THREE YEAR LIMITED WARRANTY



TOP VIEW



FRONT VIEW



SIDE VIEW



N.T.S.



# EQUALIZER<sup>®</sup> EZ8 REGISTER BOOSTER

## WALL MOUNTING KIT

MODEL: **HC6WK1**

**INCLUDES:**

- 4 - wall mounting feet
- 4 - #6 pan head Phillips drive sheet metal screws, 1" long as measured from the bottom of the pan head. *(for wall anchors)*
- 4 - Wall anchor size: #6 wall anchors, plastic, 7/8" long.
- 4 - #6-16 pan head Philips drive thread cutting screws, 3/8" long *(for mounting feet to the HC600 unit)*