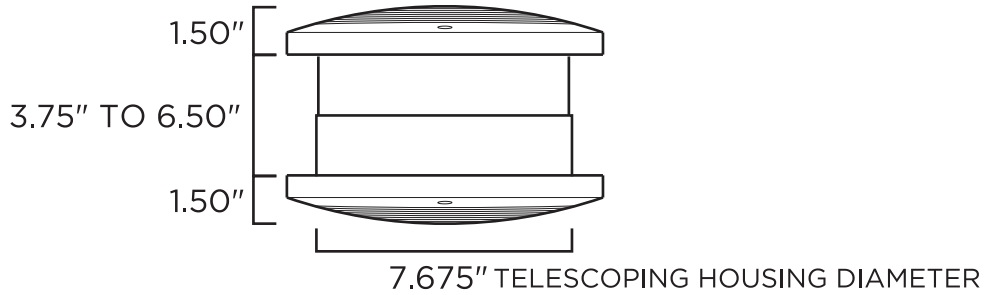




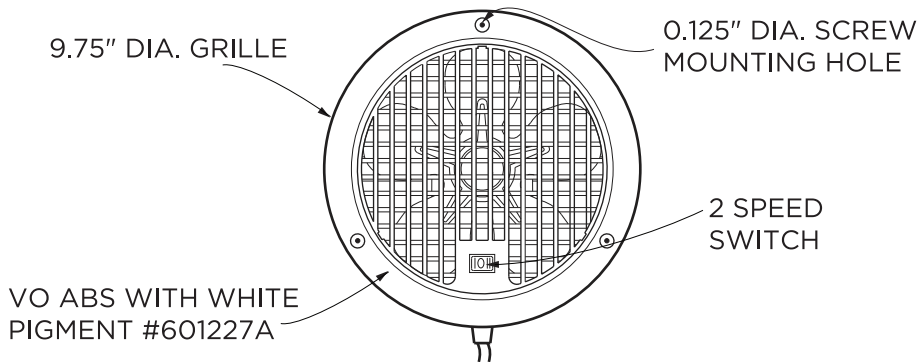
# THRU-WALL™ ROOM TO ROOM FAN

## 2 SPEED ROOM TO ROOM FAN

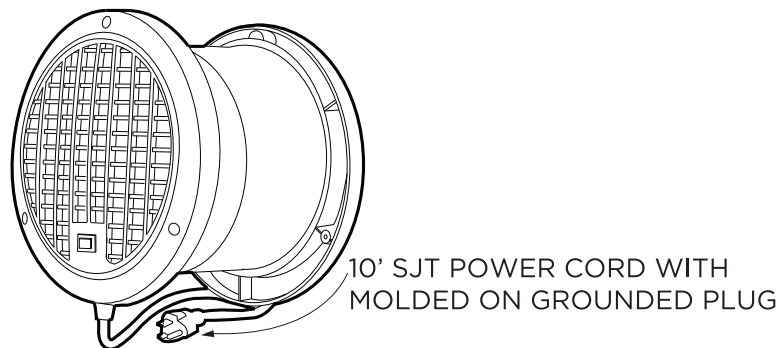
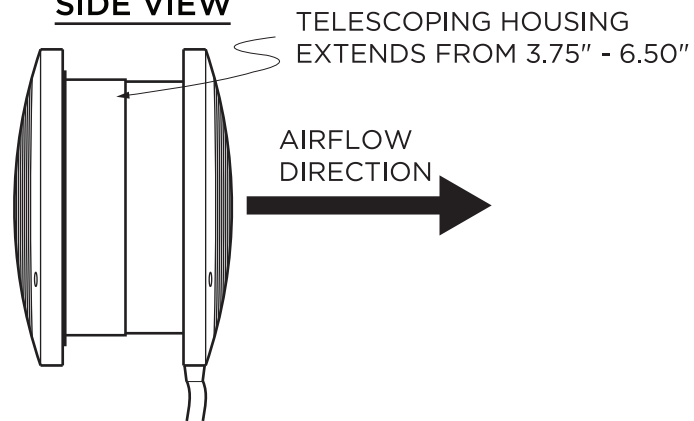
### TOP VIEW



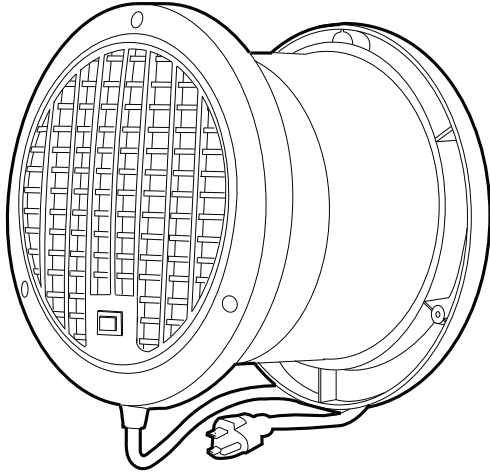
### FRONT VIEW



### SIDE VIEW



## MODEL: TW108



**Model: TW108**  
**ThruWall™ Room To Room Fan**  
**ETL® Listed**  
**1 Year Limited Warranty**  
**Hole Diameter: 8"**  
**Back Grille Diameter: 9-3/4"**  
**Assembled in the USA**  
**Primary UOM: EA**  
**Shipping Multiple: 4**

**PERFORMANCE:**

Speed Setting	dBA	CFM	Air changes per hour (ACH) based on room Sq Ft.								
			120	160	200	240	280	320	360	400	440
Low	49	155	9.7	7.3	5.8	4.8	4.2	3.6	3.2	2.9	2.6
High	54	195	12.2	9.1	7.3	6.1	5.2	4.6	4.1	3.7	3.3

1. Find the square footage on the chart that is closest to the room in which air is to be delivered by the fan.
2. Select your airflow setting based on the chart. For older homes, consider a setting that results in a higher ACH.
3. Areas marked w/ : fan is oversized for this area at this speed setting. Lower speed setting or consider TW208 or TW408 instead.
4. Areas marked w/ : low speed may not deliver enough air for this area, particularly older homes with inadequate insulation. Use high speed.

**HAZARDOUS MATERIAL INFO:**

Not Applicable

**CUSTOMS TARRIFF CLASSIFICATION:**

HS Code	Country of Origin	NAFTA Preference Criterion	NAFTA Producer Index
8414519090	USA	B	Y

**PACKAGING METRICS:**

	UPC / SCC	WIDTH (in)	HEIGHT (in)	DEPTH (in)	WEIGHT (lbs)
Unit (1qty):	066028000682	6.50	10.75	10.25	5.00
Master Case (4qty):	40066028000680	21.25	11.25	13.50	20.50

**MODEL: TW108**