

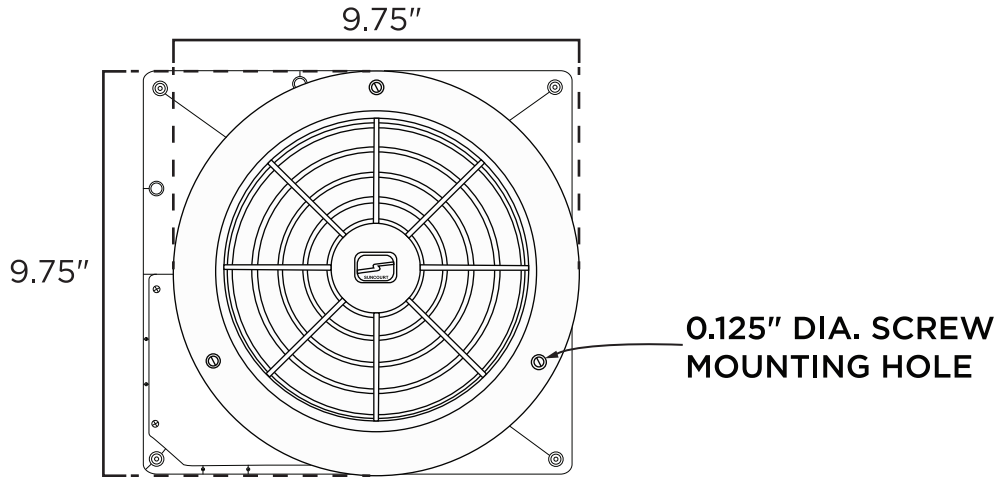


THRUWALL™ ROOM TO ROOM FAN

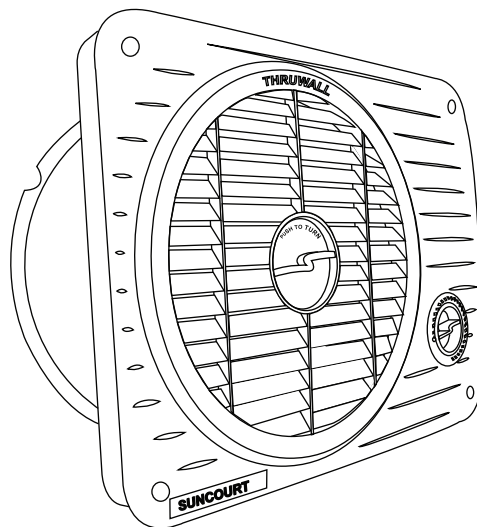
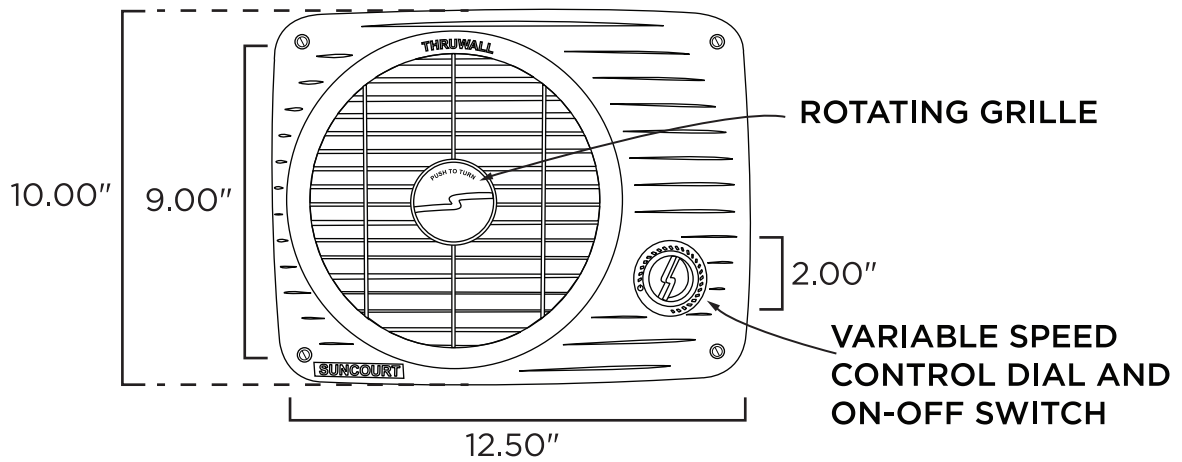
N.T.S.

VARIABLE SPEED ROOM TO ROOM FAN

BACK VIEW



FRONT VIEW



MOUNTING HARDWARE:
(7) #6 SCREWS
(7) WALL ANCHORS
(3) WIRE NUTS

MODEL: TW208

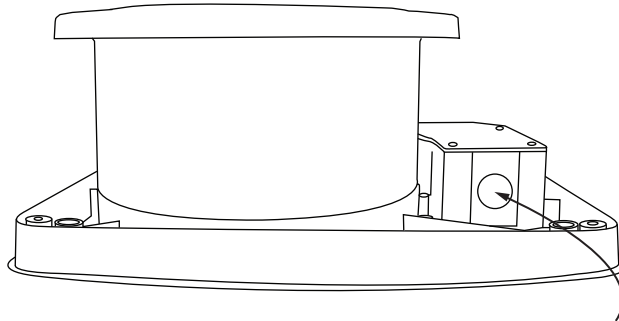


THRU-WALL™
ROOM TO ROOM FAN

**VARIABLE SPEED
ROOM TO ROOM FAN**

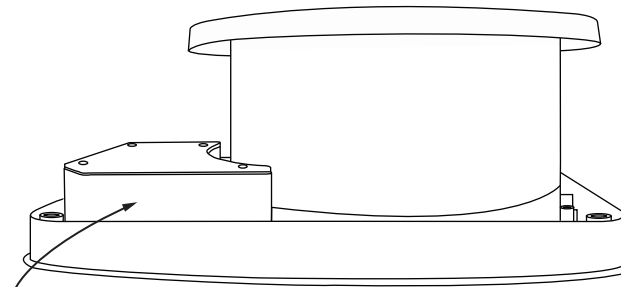
N.T.S.

TOP VIEW



0.875" STRAIN RELIEF
KNOCK-OUT

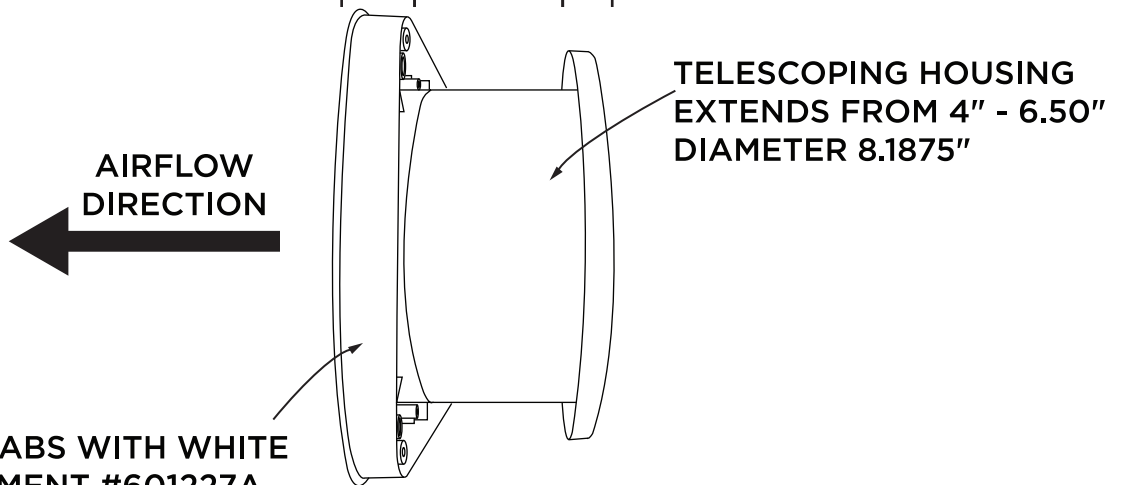
BOTTOM VIEW



ELECTRICAL BOX

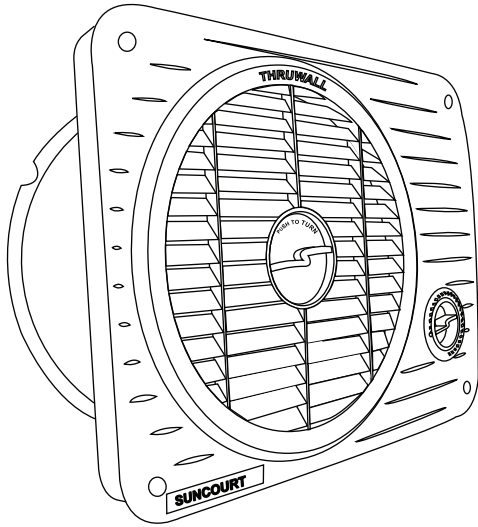
SIDE VIEW

1.50" 4" to 6.50" .50"



VO ABS WITH WHITE
PIGMENT #601227A

MODEL: TW208



Model: TW208
ThruWall™ Room To Room Fan
ETL® Listed
1 Year Limited Warranty
Class B Thermally Protected Motor
Blade Type: Polycarbonate
Cutout Dimension: 11.5" x 8.5"
Back Grille Diameter: 9-3/4"
Assembled in the USA
Primary UOM: EA
Shipping Multiple: 4

Model	Unit Weight	Volts	CFM	Running Watts	AMPS	HZ	DBA	SONES
TW208	5.00 lbs.	12Vdc 500 mA	40 to 100	20 to 36	0.75	60	55	3

HAZARDOUS MATERIAL INFO:

Not Applicable

CUSTOMS TARIFF CLASSIFICATION:

HS Code	Country of Origin	NAFTA Preference Criterion	NAFTA Producer Index
8414519060	USA	B	Y

PACKAGING METRICS:

	UPC / SCC	WIDTH (in)	HEIGHT (in)	DEPTH (in)	WEIGHT (lbs)
Unit (1qty):	066028002082	6.00	10.75	13.00	5.25
Master Case (4qty):	40066028002080	26.50	11.25	12.50	22.00

MODEL: TW208