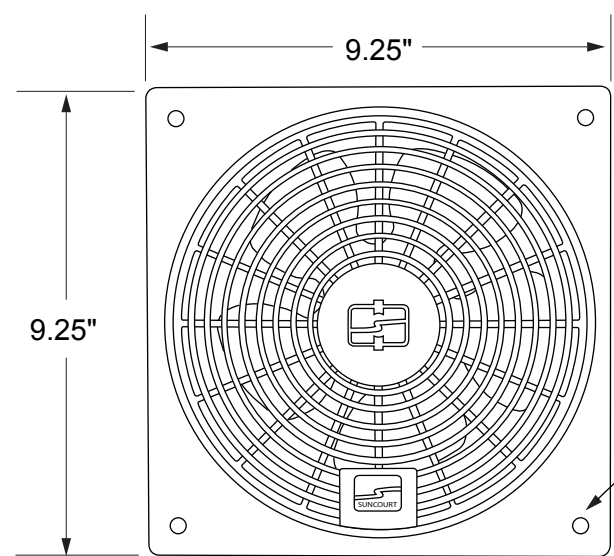
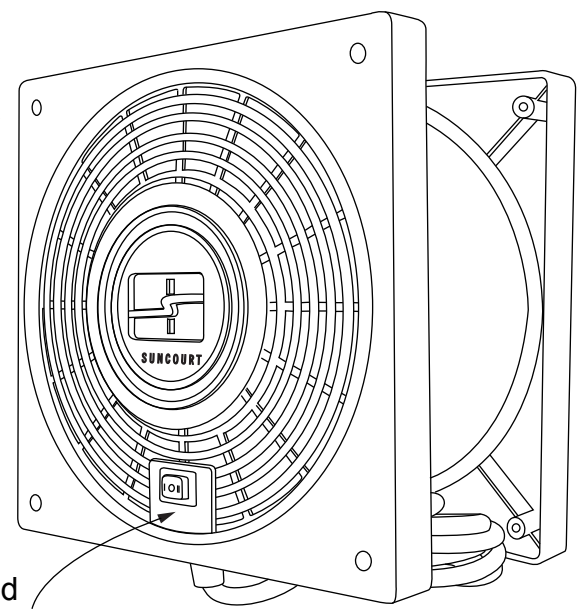


Telescoping housing extends from 3.75" - 6.50"
Diameter 8.1875"



Front View



10' SJT power cord with molded on grounded plug

0.125" Diameter screw mounting hole

N.T.S.



ThruWall™ Room To Room Fan™

Model: TW408 2-Speed w/ Airflow Adapter

Quietly and efficiently moves heated or cooled air from one room to another.

Running Watts: 29 Low / 40 High • AMPS: 0.75 • VAC: 120 • HZ: 60 • dBA: 54
Unit weight: 4.65 lbs. • UL® listed • Blade type: Polycarbonate
One year limited warranty

SUNCOURT INC.
P.O. Box 40
Durant, IA 52747-0040
1.800.999.FANS (3267)
www.suncourt.com

PRODUCT DATA SHEET



Model: TW408
ThruWall™ Room To Room Fan™

UL® Listed

1 Year Limited Warranty

Hole Diameter: 8"

Back Grille Dimension: 9 1/4" x 9 1/4"

Watts: 29 Low / 40 High, Amps: 0.75, Volts: 120, Hz: 60

dBA: 54

Primary UOM: EA

Shipping Multiple: 4

Performance

Air changes per hour (ACH) based on room Sq Ft.

Speed Setting	CFM	75	100	125	150	175	200	225	250	275
Low	90	9.0	6.8	5.4	4.5	3.9	3.4	3.0	2.7	2.5
Med - Low	105	10.5	7.9	6.3	5.3	4.5	3.9	3.5	3.2	2.9
Med - High	115	11.5	8.6	6.9	5.8	4.9	4.3	3.8	3.5	3.1
High	130	13.0	9.8	7.8	6.5	5.6	4.9	4.3	3.9	3.5

1. Find the square footage on the chart that is closest to the room in which air is to be delivered by the fan.
2. Select your airflow setting based on the chart. For older homes, consider a setting that results in a higher ACH.
3. Areas marked w/ : fan is oversized for this area at this speed setting. Lower speed setting or consider TW208 instead.
4. Areas marked w/ : a single fan may be undersized for this area at this speed setting, particularly older homes with inadequate insulation.

Customs Tariff Classification

HS Code	Country of Origin	NAFTA Preference Criterion	NAFTA Producer Index
8414519090	USA	B	Y

Packaging Metrics

	UPC/SCC	Width (in)	Height (in)	Depth (in)	Weight (lbs)
Unit	066028004086	6.50	10.75	10.25	4.65
Master Case	40066028004084	20.75	11.50	13.50	22.00