

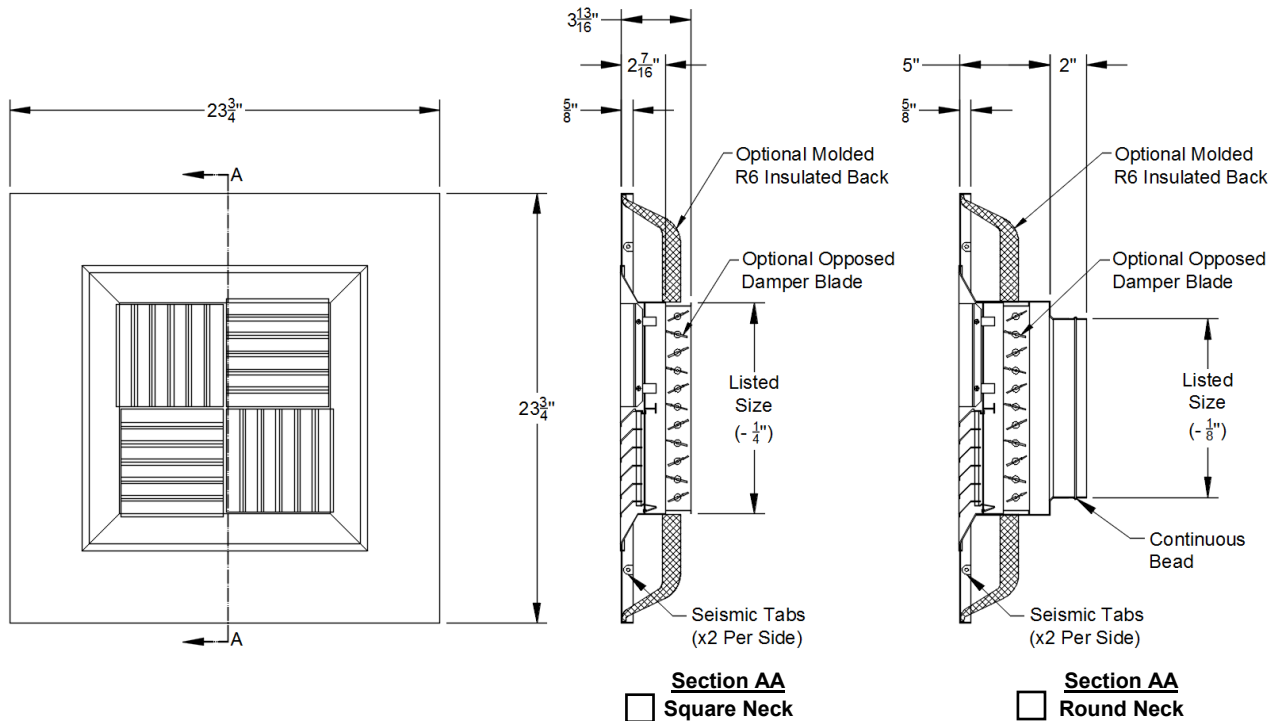
Model: _____ Size: _____ Tag: _____

Project Name: _____

Project Location: _____

Engineer: _____ Contractor: _____

Distributor: _____ Representative: _____



Field Configurable Throw Patterns

1-Way



2-Way, Opposite



2-Way Corner



3-Way



4-Way



Features:

- Pristine White Powder Coat Finish
- Removable core

Construction Options:

- Aluminum Diffuser with Steel Panel
- Aluminum Diffuser with Aluminum Panel
- R6 Molded Insulated Back
- Opposed Blade Damper

| Available Neck Sizes (IN x IN) | Available Round Neck Sizes (IN Ø) |
|--------------------------------|-----------------------------------|
| 6 x 6 | 6 |
| 8 x 8 | 6, 8 |
| 10 x 10 | 6, 8, 10 |
| 12 x 12 | 6, 8, 10, 12 |
| 14 x 14 | 10, 12, 14 |
| 16 x 16 | 12, 14, 16 |
| 18 x 18 | 8, 10, 12, 14, 16, 18 |
| 20 x 20 | 20 |

Note: This submittal is meant to demonstrate the general dimensions of this product. The illustrations are not meant to detail every aspect of the product. Drawings are not to scale. T.A. Industries, Inc. reserves the right to make changes without notice or obligations.