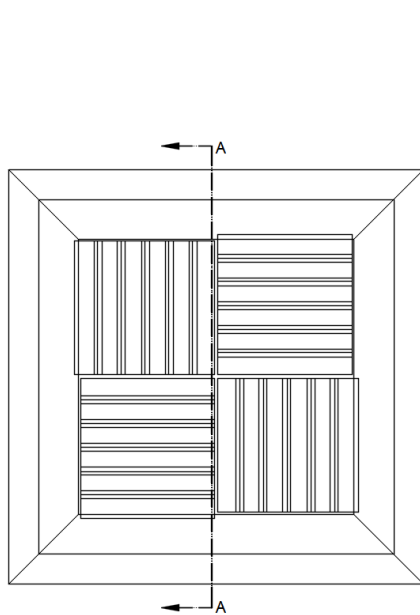
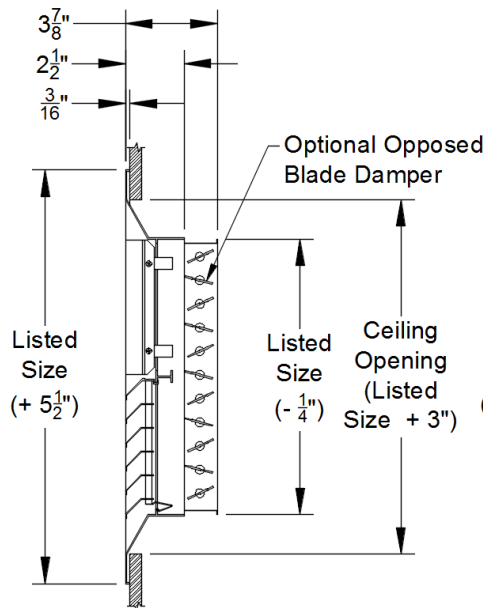


Model: _____ Size: _____ Tag: _____
 Project Name: _____
 Project Location: _____
 Engineer: _____ Contractor: _____
 Distributor: _____ Representative: _____

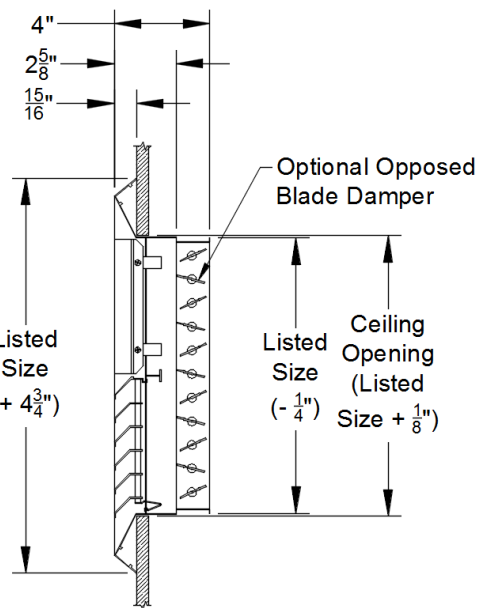


A520F Shown with 4-Way Field Configured Air Throw Pattern



Section AA

- Flat Frame
- Opposed Blade Damper



Section AA

- Beveled Frame
- Opposed Blade Damper

Field Configurable Throw Patterns

- 1-Way
- 2-Way, Opposite
- 2-Way Corner
- 3-Way
- 4-Way

Features:

- Pristine White Powder Coat Finish
- Field Configurable Air Throw Patterns

Note: This submittal is meant to demonstrate the general dimensions of this product. The illustrations are not meant to detail every aspect of the product. Drawings are not to scale. T.A. Industries, Inc. reserves the right to make changes without notice or obligations.