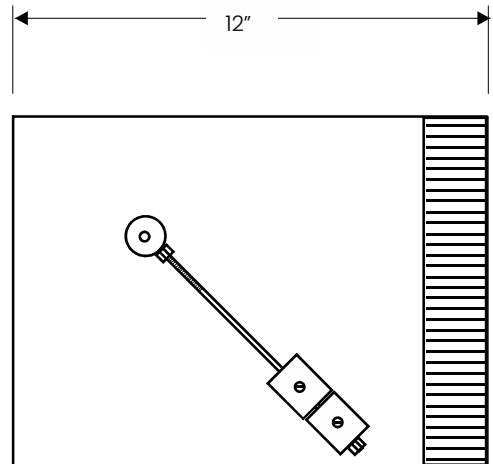
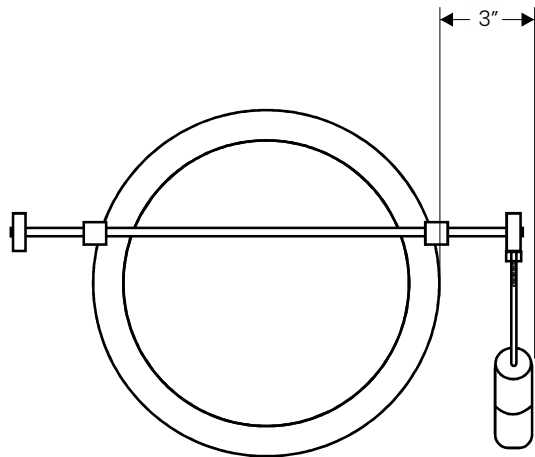


SPECIFICATION SHEET

BH-XX Round, Barometric Bypass Dampers



FOR HORIZONTAL MOUNTING ONLY

SPECIFICATIONS

DIMENSIONS:

Barometric bypass damper models BH-XX are available in standard sizes from 7" to 16"

APPLICATION:

Compatible for zone control and other HVAC applications in maintaining system static pressure from 0.2" to 0.75" w.c.

CONSTRUCTION:

- 22 gauge steel shell
- 20 gauge steel blade
- ½" aluminum shaft
- Nylon bushings
- Air tight blade seals
- Adjustable weights

RECOMMENDED BYPASS DAMPER SIZING BASED ON COOLING TONNAGE:

- 2.5 Tons and less = 8"
- 3 Tons = 10"
- 4 to 5 Tons = 12"
- 7.5 Tons = 14"
- 10 Tons = 16"