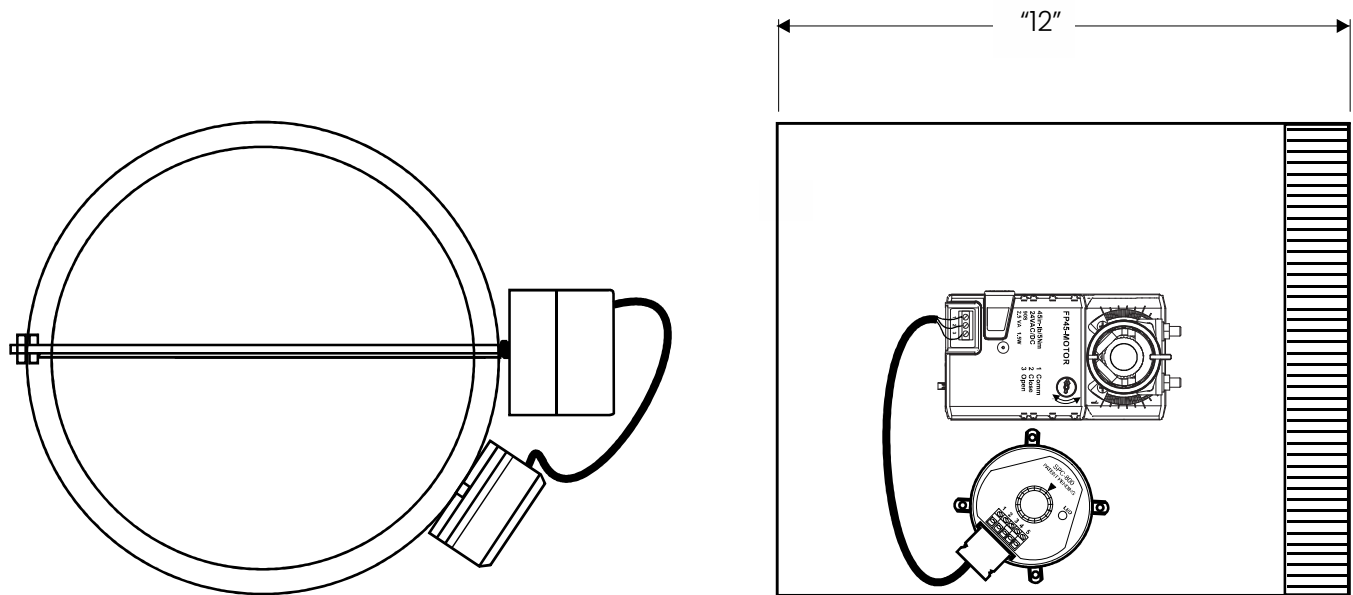


# EB-XX Round, Electronic Bypass Damper Specifications



## SPECIFICATIONS

### DIMENSIONS:

Damper models EB-XX are available in standard sizes from 12" to 20"

### APPLICATION:

Compatible for zone control and other HVAC applications in maintaining system static pressure from 0.08" to 1.20" W.C.

### CONSTRUCTION:

- 22 gauge steel shell
- 20 gauge steel blade
- ½" aluminum shaft
- Nylon bushings
- Air tight blade seals
- 2.0" W.C. maximum pressure

### FACTORY MOUNTED STATIC PRESSURE CONTROL:

- 1/4" I.D. flex hose connection
- Tubing and plastic pressure probe included
- Solid state control design
- Built-in LED for damper direction
- 0.08" to 1.20" W.C. pressure range
- 1 Amp switching current at 24 VAC

### ELECTRICAL:

24 VAC, 2.5VA, 3-wire floating point actuator, 45 in-lb, 90 second timing, 90° stroke

Drawings are intended to show general, overall product dimensions and provide guidance for installation clearance. Drawings are not to scale. iO HVAC Controls reserves the right to make product changes without notification or obligation.