

## TWO-POSITION, 3-WIRE DAMPERS

The MD Series dampers are perfect for use with most zoning systems and recommended for use with all of our ESP zone panels. The MD Series dampers can be installed in any position. They are rated for duct systems less than 1.0" WC. The MD Series damper has a simple adjustment for setting the minimum and maximum position.

### NO BYPASS REQUIRED!

#### Features and Benefits:

- Two-position 24V motor; power close/power open, 3-wire
- Compatible with ESP panels to eliminate bypass
- Quiet operation
- Simple adjustment for setting the minimum position

#### Warranty:

- 5 Years

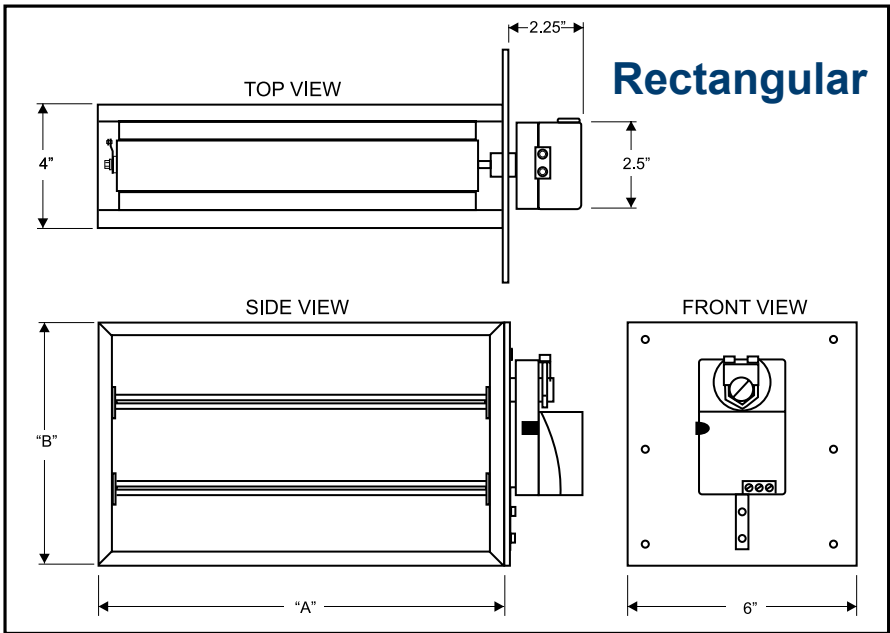
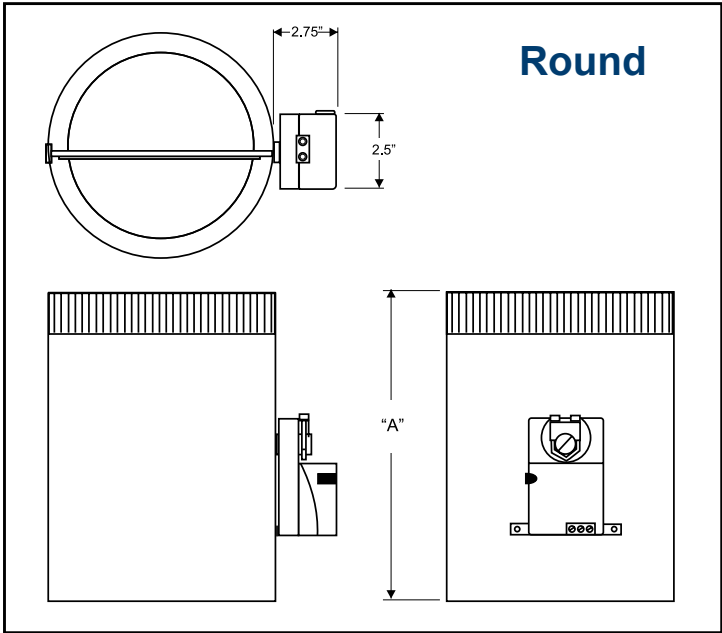


EQUIPPED WITH  
**BELIMO**  
 ACTUATORS

### Specifications:

<b>Construction</b>	Round: 22-gauge steel shell Rectangular: extruded aluminum
<b>Sizes</b>	Round: 4" to 20" Rectangular: 6" x 6" to 30" x 20" side-mount and bottom-mount
<b>Damper Actuator Type</b>	24VAC, 2.5VA, 3-wire power open/power close
<b>Timing</b>	60 seconds

# DAMPER DIAGRAM



5351 East Thompson Road Suite 142  
Indianapolis, IN 46237  
P: 888.359.0362  
F: 317.489.5204

info@iOhvaccontrols.com  
www.iOhvaccontrols.com