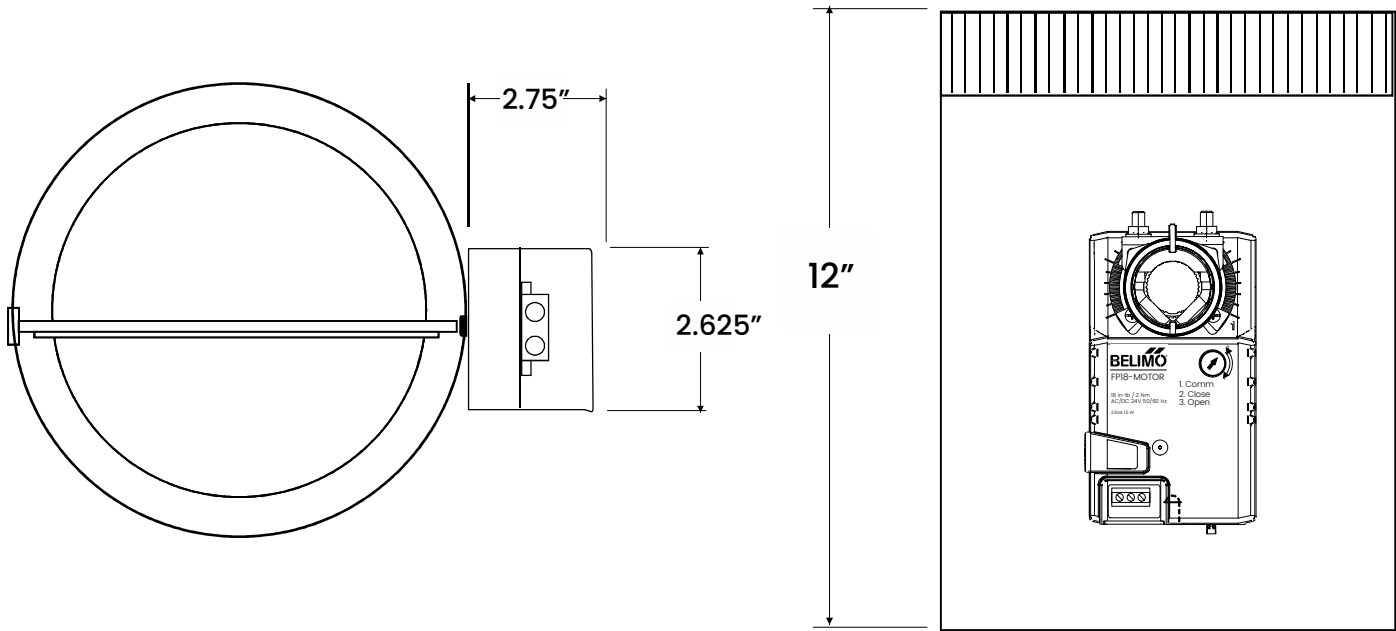


SPECIFICATION SHEET

MD-XX Round, 3-wire Floating Point Motorized Zone Control Dampers



SPECIFICATIONS

DIMENSIONS:

Damper models MD-XX are available in standard sizes from 5" to 20"

APPLICATION:

Used with all iO HVAC Controls ESP zone control panels and can be used with other panels using a 3-wire damper.

CONSTRUCTION:

22 gauge steel shell
20 gauge steel blade
½" aluminum shaft
Nylon bushings
Air tight blade seals
Minimum position adjustment

ELECTRICAL:

24 Volt, 2.5 VA
3-Wire
60 second timing
18 lb.-in.

Drawings are intended to show general, overall product dimensions and provide guidance for installation clearance. Drawings are not to scale. iO HVAC Controls reserves the right to make product changes without notification or obligation.