

RBD-XX REGISTER BOOT DAMPER

INSTALLATION INSTRUCTIONS

INTRODUCTION:

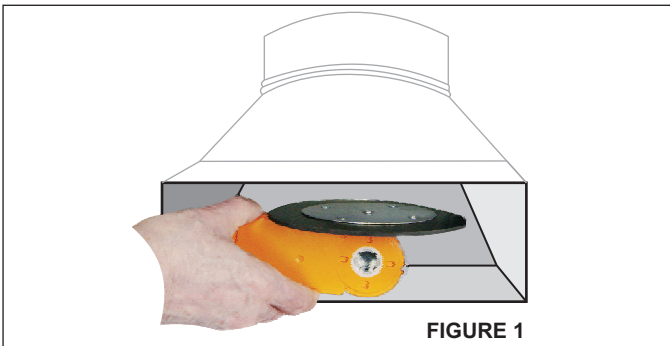
The RBD Register Boot Damper is a retrofit zone damper that has been designed to be installed in a register boot without having to take the duct work apart. RBD Register Boot Dampers are available for register boots with 6" or 8" collars and can be installed in most boot styles.

INSTALLATION:

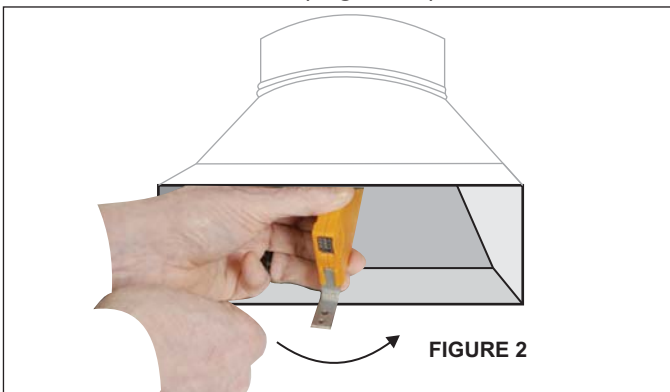
1. The RBD Register Boot Damper requires 18/3 thermostat wire to power the actuator. Wire should be run from the boot damper to the zoning panel through or outside the duct work depending on the specific application. Plenum rated wire is highly recommended. (Check local codes)

2. If the wire is pulled through the duct, the wire should be flat against the bottom of the collar so that the damper gasket will self-seal around the wire.

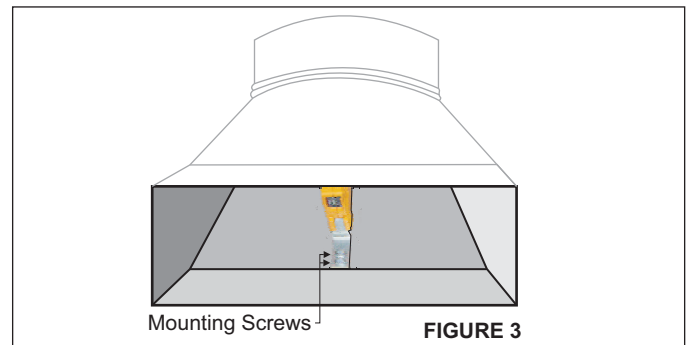
3. The boot damper comes with the blade in the open position. Insert the damper into the boot in a parallel position. (Figure 1)



4. Rotate the boot damper so that the blade slides into the collar. (Figure 2)



5. Position the damper mounting bracket in the center of the boot with the end butted against the transition seam and use the included self-tapping screws to secure the bracket to the boot. (Figure 3)



6. Connect the thermostat wire to the actuator as follows:

- 1 = Common
- 2 = Power Close
- 3 = Power Open

7. Once wiring is completed, test the damper by running the air handler and powering the damper closed to assure the blade is sealing off the boot collar and then power it open to make sure there is no binding.

