

COMMUNICATES WIRELESSLY UP TO ¼ MILE

The Wireless Relay Plus is the perfect solution when you can't run wire or existing wires have been cut or damaged. The Wireless Relay communicates wirelessly up to ¼ mile between two devices via a 915MHz radio frequency. The Wireless Relay Plus contains 2 four-channel transceivers. The base module has 3 transmitting channels and 1 receiving channel. The satellite module has 3 receiving channels and 1 transmitting channel. The relays can be used to control or monitor heat pumps, condensing units, fans, pumps, lighting, and industrial equipment.



Features and Benefits:

Can wirelessly control or monitor the following:

- Heat pumps
- Condensing units
- Fans, pumps, lighting
- Industrial equipment

Warranty:

- 1 Year

Specifications: Base and Satellite Modules

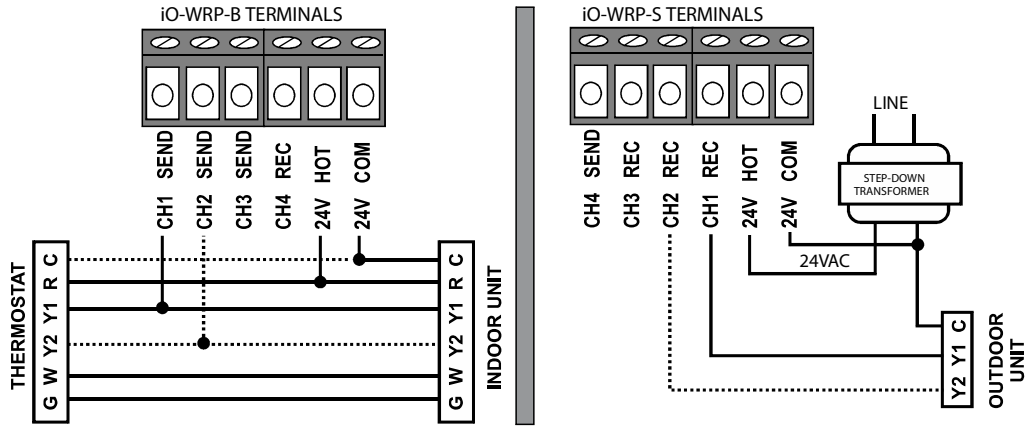
Dimensions	5.125" Height x 2.625" Width x 1.125" Depth
Input Voltage	24 VAC
Signal Input/Output	24 VAC
Channels	Base: 3 Send - 1 Receive Satellite: 3 Receive - 1 Send
Contact Rating	1A per channel
Frequency	915MHz Operation
Range	Up to ¼ mile
Factory-paired, multiple pairs can be installed in same building	



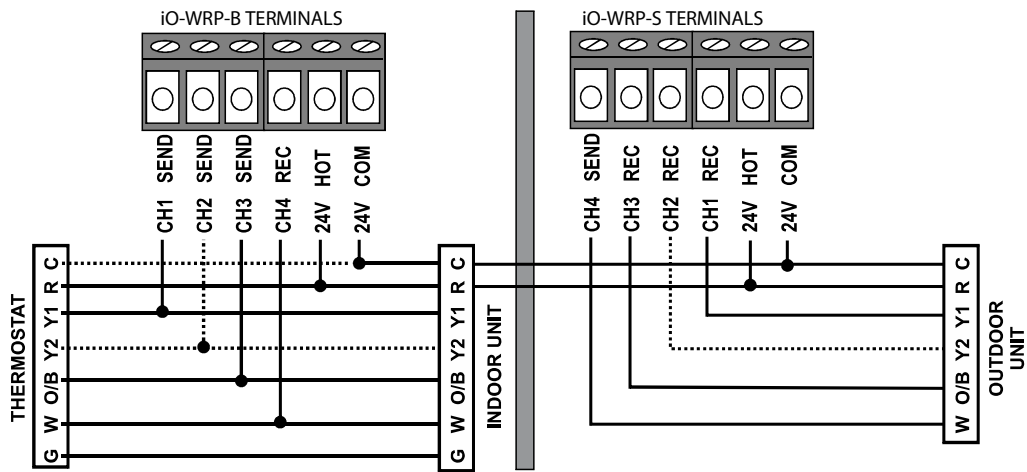
5351 East Thompson Road Suite 142
 Indianapolis, IN 46237
 P: 888.359.0362
 F: 317.489.5204

info@iOhvaccontrols.com
 www.iOhvaccontrols.com

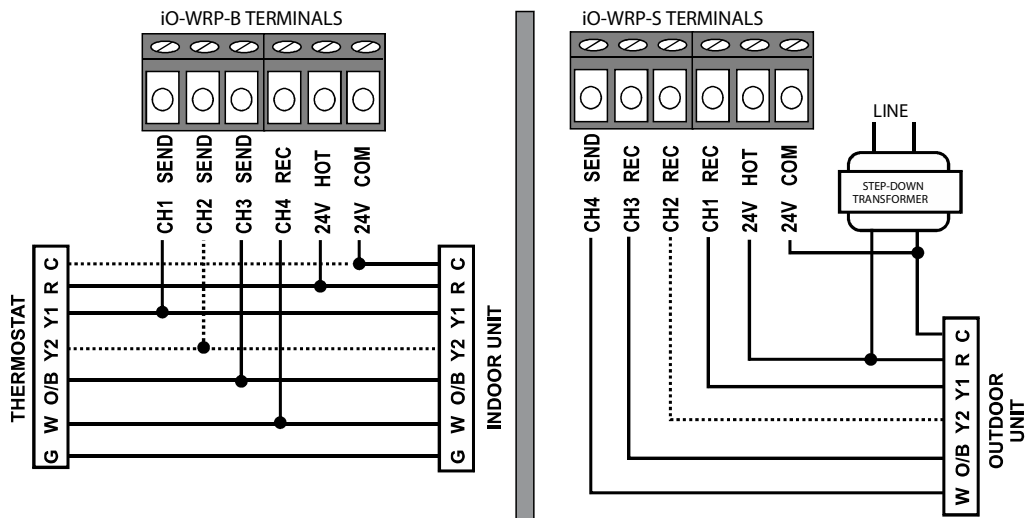
SINGLE OR MULTI-STAGE COOLING WITH BROKEN WIRE TO OUTDOOR UNIT



HEAT PUMP UPGRADE WITH ONLY TWO WIRES TO OUTDOOR UNIT



HEAT PUMP UPGRADE WITH NO WIRES TO OUTDOOR UNIT



5351 East Thompson Road Suite 142
 Indianapolis, IN 46237
 P: 888.359.0362
 F: 317.489.5204

info@iohvaccontrols.com
 www.iohvaccontrols.com