



MD6 - Motorized Damper Submittal

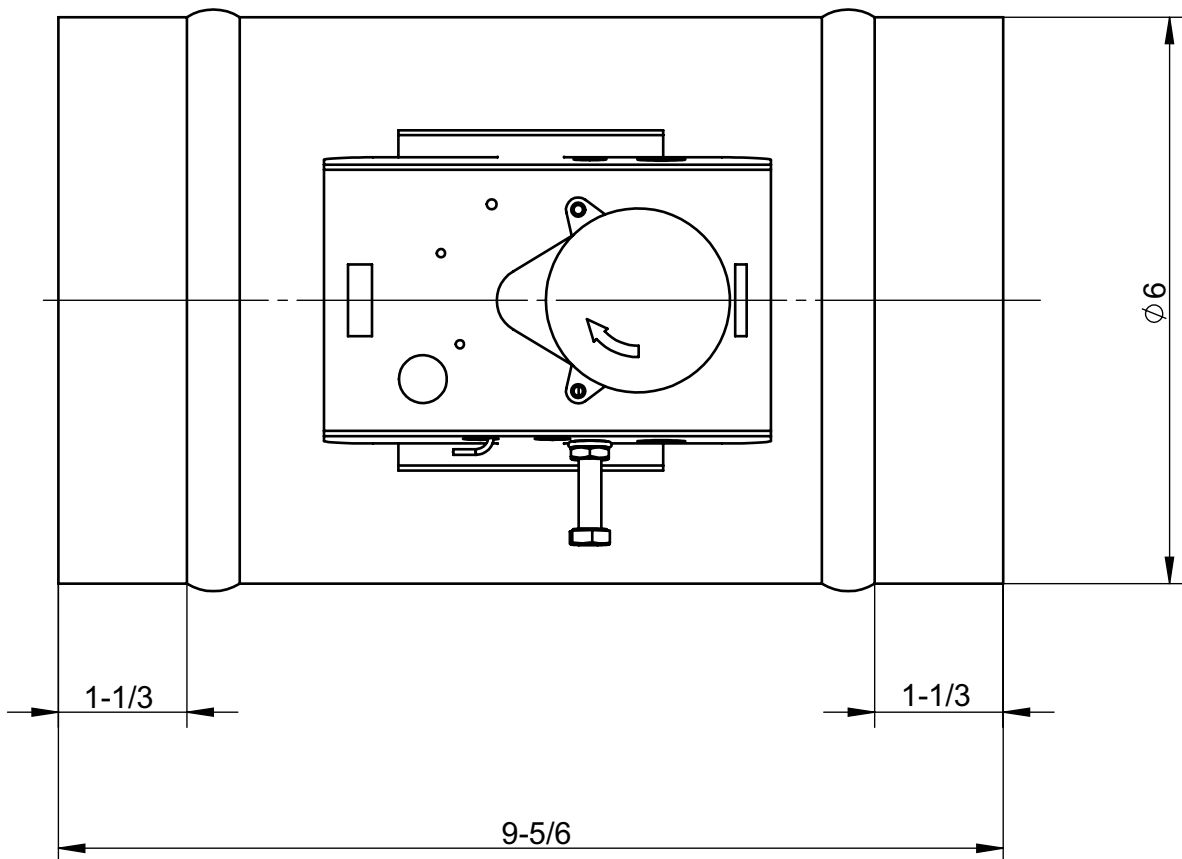


This normally closed, power open, 24V motorized damper for 6" round duct can be used to control the sequencing of outside air in forced-air systems.

Specifications

| Round Duct Size (inches) | Frequency | Voltage | Current | Number of Speeds | RPM | Ins Class | Duty | Rated Ambient (°C) |
|--------------------------|-----------|---------|---------|------------------|-----|-----------|------|--------------------|
| 6 | 60 Hz | 24 | 0.3 A | 1 | 6 | A | Int | 40 |

Dimensions



All specifications are subject to change without notice unless approved in submittal by S&P USA.

MD6-Submittal-4-11-2018