



ReFresh RF8-120AC

Submittal

RF8-120AC



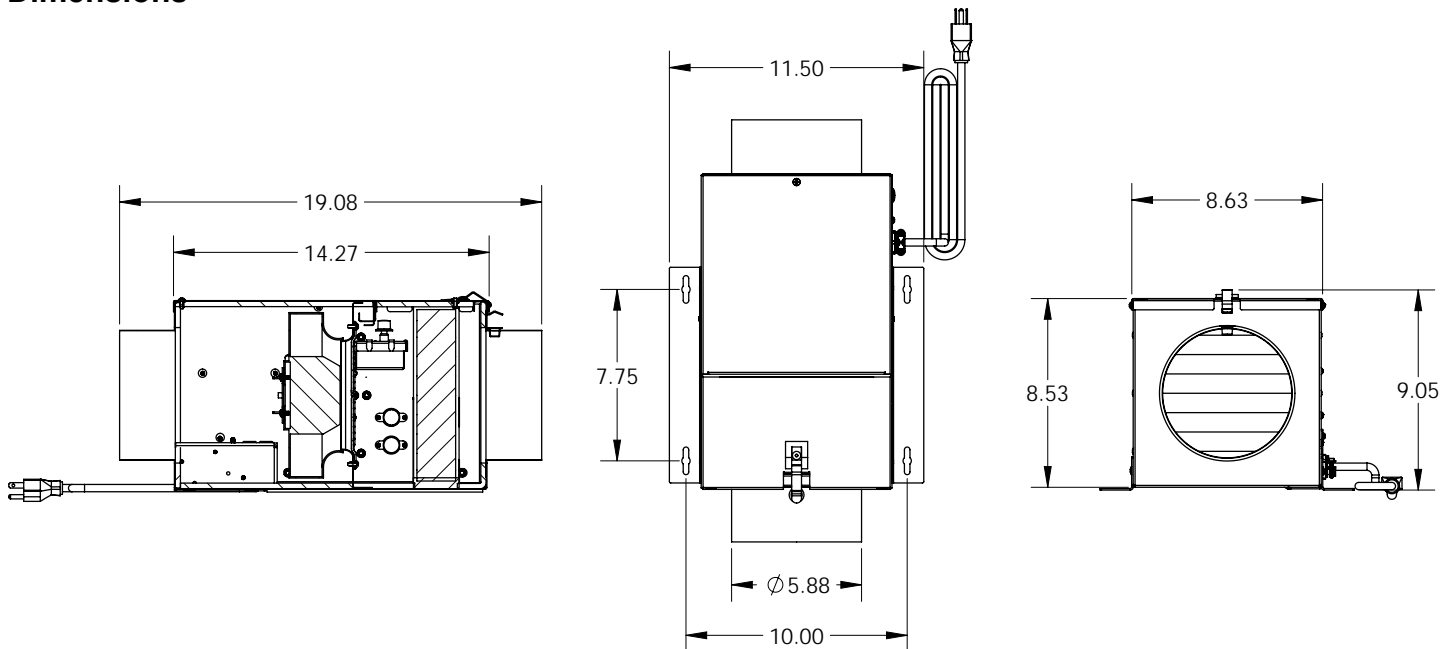
Specifications

- Low profile, galvanized, 26 ga., insulated housing
- 6" round duct connectors
- Test port for easy air flow measurement
- 2" wide filter slot for optional 8 x 8 x 2" filters
- Integral mounting tabs allow mounting in any orientation
- Backward inclined wheel
- Speed controllable, AC motor, 115/120V, 60 Hz
- 4 pole, permanently lubricated, thermally protected motor
- Internally mounted speed control to set required intake with high, medium, and low set points
- 6' power cord
- HVI Certified performance with and without optional MERV13 Filters
- cULus 705 Listed

Options and Accessories

- 8 x 8 x 2" MERV8 or MERV13 filters
- Steel backdraft dampers
- Motorized backdraft damper
- Duct heater

Dimensions





ReFresh RF8-120AC-ES24V

Submittal

RF8-120AC-ES24V



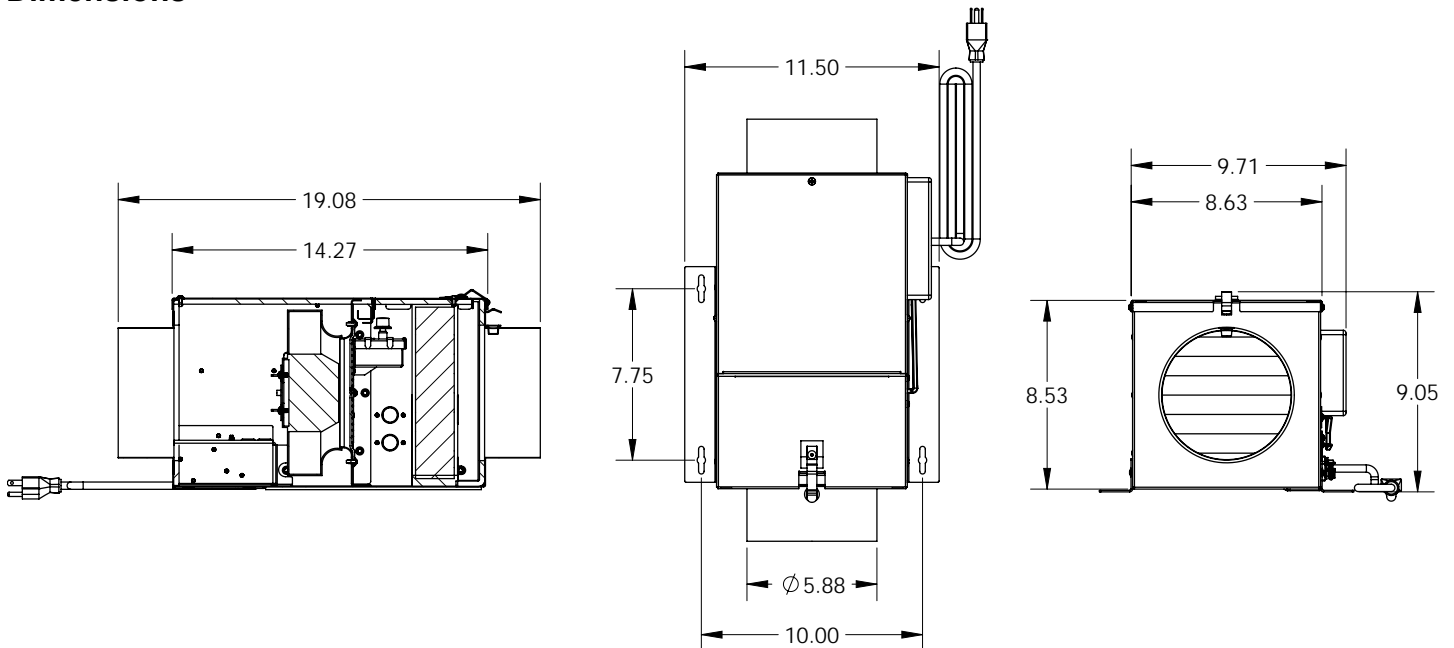
Specifications

- ES24V – Envirosense Ventilation Control mounted to outside of unit
- Low profile, galvanized, 26 ga., insulated housing
- 6" round duct connectors
- Test port for easy air flow measurement
- 2" wide filter slot for optional 8 x 8 x 2" filters
- Integral mounting tabs allow mounting in any orientation
- Backward inclined wheel
- Speed controllable, AC motor, 115/120V, 60 Hz
- 4 pole, permanently lubricated, thermally protected motor
- Internally mounted speed control to set required intake with high, medium, and low set points
- 6' power cord
- HVI Certified performance with and without optional MERV13 Filters
- cULus 705 Listed

Options and Accessories

- 8 x 8 x 2" MERV8 or MERV13 filters
- Steel backdraft dampers
- Motorized backdraft damper
- Duct heater

Dimensions





ReFresh RF8-120EC Submittal

RF8-120EC



EcoWatt®



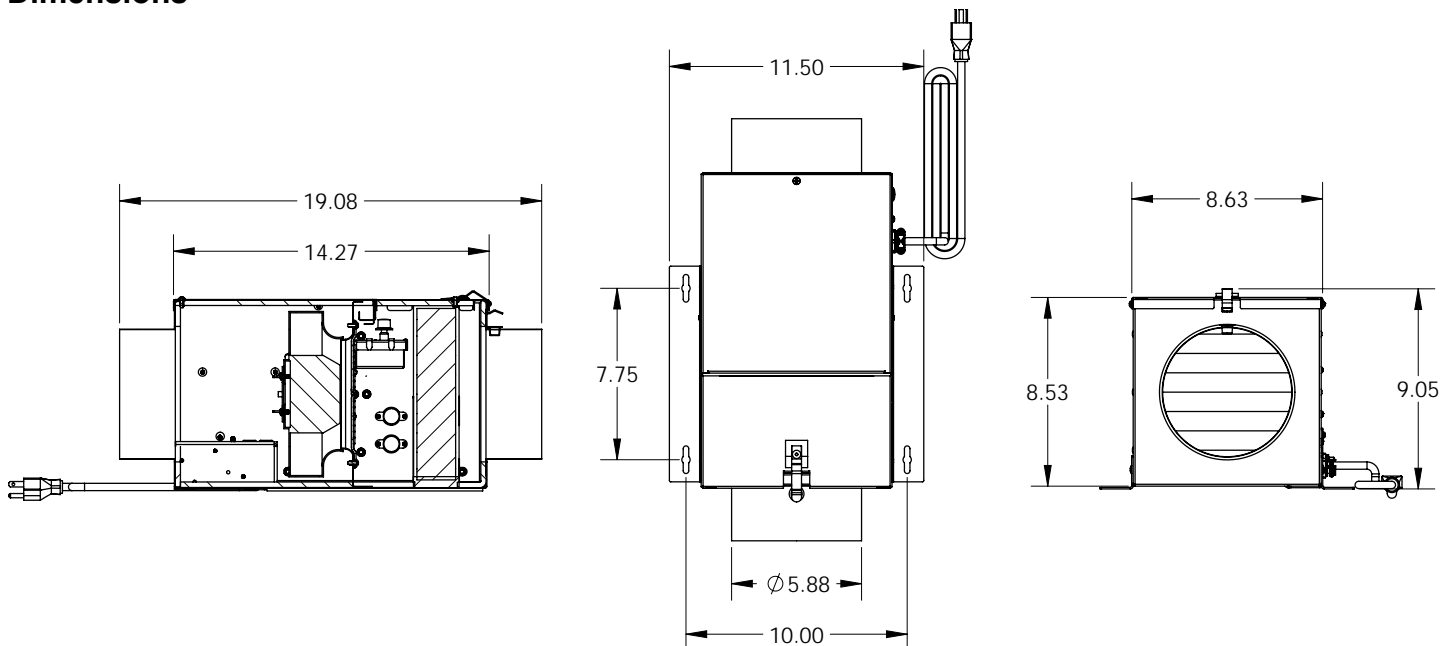
Specifications

- Low profile, galvanized, 26 ga., insulated housing
- 6" round duct connectors
- Test port for easy air flow measurement
- 2" wide filter slot for optional 8 x 8 x 2" filters
- Integral mounting tabs allow mounting in any orientation
- Backward inclined wheel
- Speed controllable, EC motor, 115/120V, 60 Hz
- 4 pole, permanently lubricated, thermally protected motor
- Internally mounted speed control to set required intake with high, medium, and low set points
- 6' power cord
- ENERGY STAR® qualified
- HVI Certified performance with and without optional MERV13 Filters
- cULus 705 Listed

Options and Accessories

- 8 x 8 x 2" MERV8 or MERV13 filters
- ES24V – Envirosense Ventilation Control (loose)
- Steel backdraft dampers
- Motorized backdraft damper
- Duct heater

Dimensions





ReFresh RF8-120EC-ES24V

Submittal

RF8-120EC-ES24V



EcoWatt®



ENERGY STAR



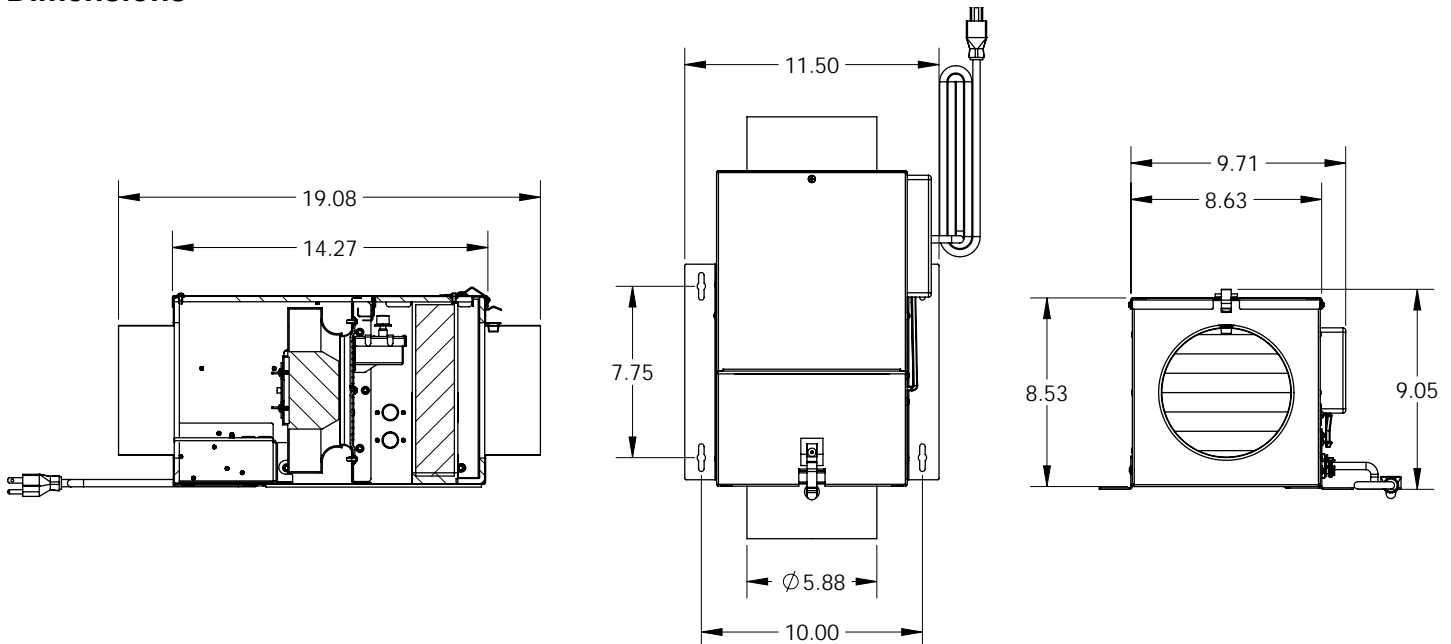
Specifications

- ES24V – Envirosense Ventilation Control mounted to outside of unit
- Low profile, galvanized, 26 ga., insulated housing
- 6" round duct connectors
- Test port for easy air flow measurement
- 2" wide filter slot for optional 8 x 8 x 2" filters
- Integral mounting tabs allow mounting in any orientation
- Backward inclined wheel
- Speed controllable, EC motor, 115/120V, 60 Hz
- 4 pole, permanently lubricated, thermally protected motor
- Internally mounted speed control to set required intake with high, medium, and low set points
- 6' power cord
- ENERGY STAR® qualified
- HVI Certified performance with and without optional MERV13 Filters
- cULus 705 Listed

Options and Accessories

- 8 x 8 x 2" MERV8 or MERV13 filters
- Steel backdraft dampers
- Motorized backdraft damper
- Duct heater

Dimensions





ReFresh RF10-160AC

Submittal

RF10-160AC



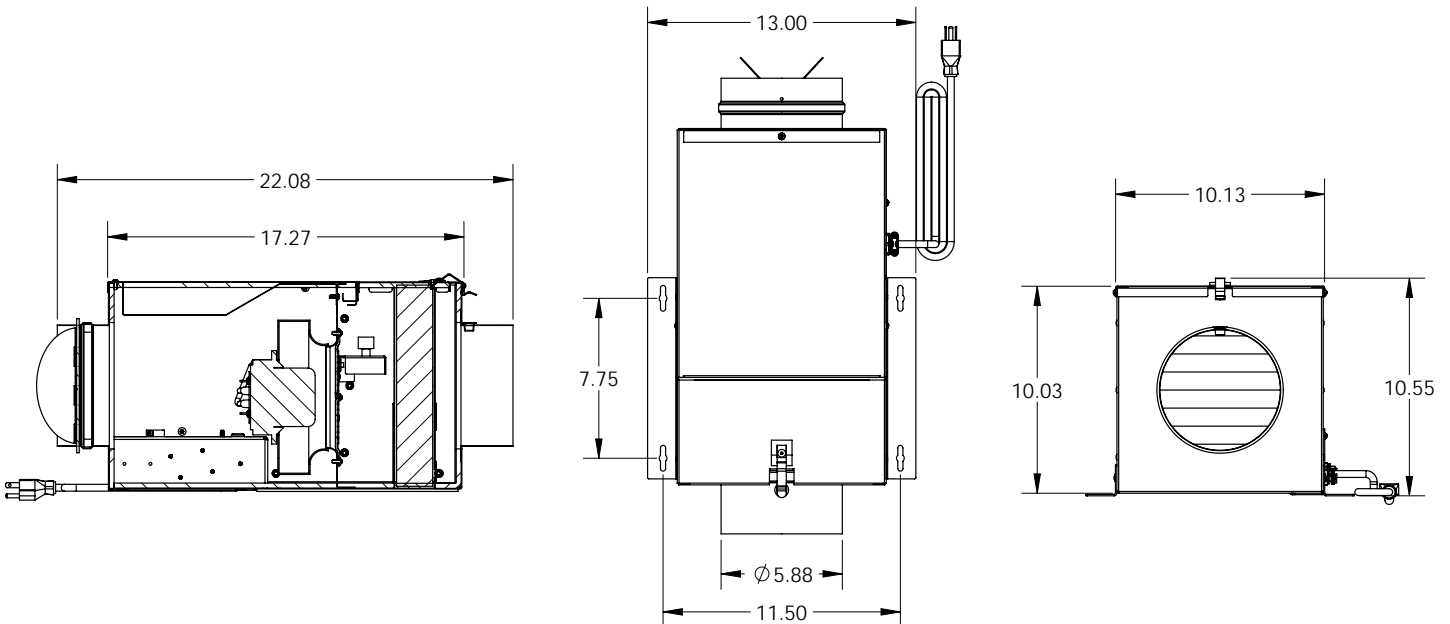
Specifications

- Galvanized, 26 ga., insulated housing
- 6" round duct connectors
- Integral backdraft damper
- Test port for easy air flow measurement
- 2" wide filter slot for optional 10 x 10 x 2" filters
- Integral mounting tabs allow mounting in any orientation
- Backward inclined wheel
- Speed controllable, AC motor, 115/120V, 60 Hz
- 4 pole, permanently lubricated, thermally protected motor
- Internally mounted speed control to set required intake with high, medium, and low set points
- 6' power cord
- AMCA Air and Sound Licensed
- HVI Certified performance with and without optional MERV13 Filters
- cULus 705 Listed

Options and Accessories

- 10 x 10 x 2" MERV8 or MERV13 filters
- ES24V – Envirosense Ventilation Control (loose)
- Steel backdraft dampers
- Motorized backdraft damper
- Duct heater

Dimensions





ReFresh RF10-160AC-ES24V

Submittal

RF10-160AC-ES24V



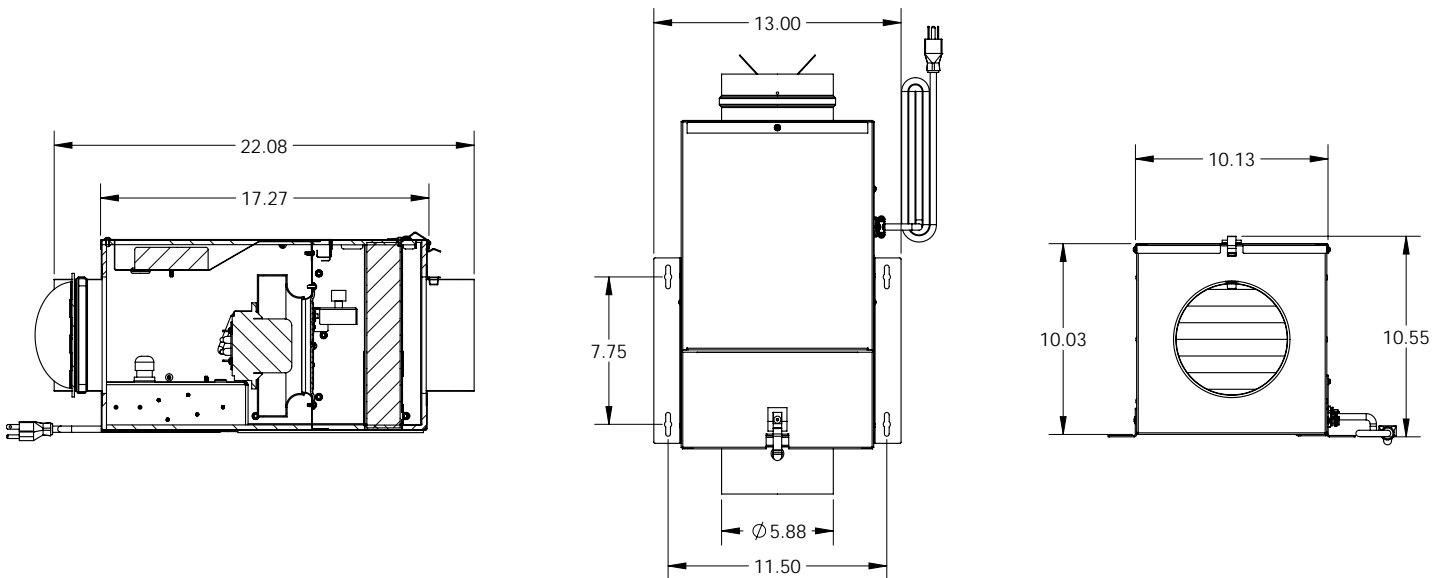
Specifications

- ES24V – Envirosense Ventilation Control mounted to outside of unit
- Galvanized, 26 ga., insulated housing
- 6" round duct connectors
- Integral backdraft damper
- Test port for easy air flow measurement
- 2" wide filter slot for optional 10 x 10 x 2" filters
- Integral mounting tabs allow mounting in any orientation
- Backward inclined wheel
- Speed controllable, AC motor, 115/120V, 60 Hz
- 4 pole, permanently lubricated, thermally protected motor
- Internally mounted speed control to set required intake with high, medium, and low set points
- 6' power cord
- AMCA Air and Sound Licensed
- HVI Certified performance with and without optional MERV13 Filters
- cULus 705 Listed

Options and Accessories

- 10 x 10 x 2" MERV8 or MERV13 filters
- Steel backdraft dampers
- Motorized backdraft damper
- Duct heater

Dimensions





ReFresh RF10-160AC-P Submittal

RF10-160AC-P



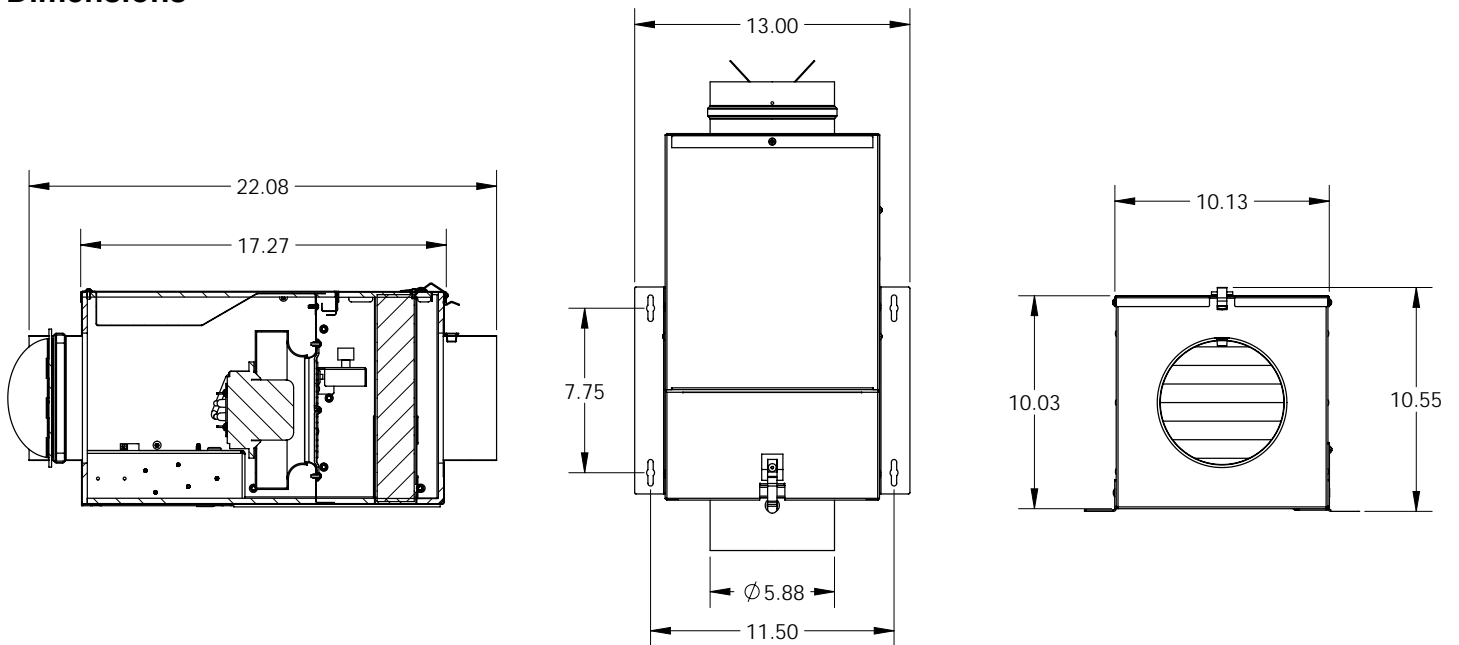
Specifications

- Galvanized, 26 ga., insulated housing
- 6" round duct connectors
- Integral backdraft damper
- Test port for easy air flow measurement
- 2" wide filter slot for optional 10 x 10 x 2" filters
- Integral mounting tabs allow mounting in any orientation
- Backward inclined wheel
- Speed controllable, AC motor, 115/120V, 60 Hz
- 4 pole, permanently lubricated, thermally protected motor
- Internally mounted speed control to set required intake with high, medium, and low set points
- AMCA Air and Sound Licensed
- HVI Certified performance with and without optional MERV13 Filters
- cULus 705 Listed
- UL 2043 - Suitable for Use In Air Handling Spaces

Options and Accessories

- 10 x 10 x 2" MERV8 or MERV13 filters
- ES24V – Envirosense Ventilation Control (loose)
- Steel backdraft dampers
- Motorized backdraft damper
- Duct heater

Dimensions





ReFresh RF10-160AC-P-ES24V

Submittal

RF10-160AC-P-ES24V



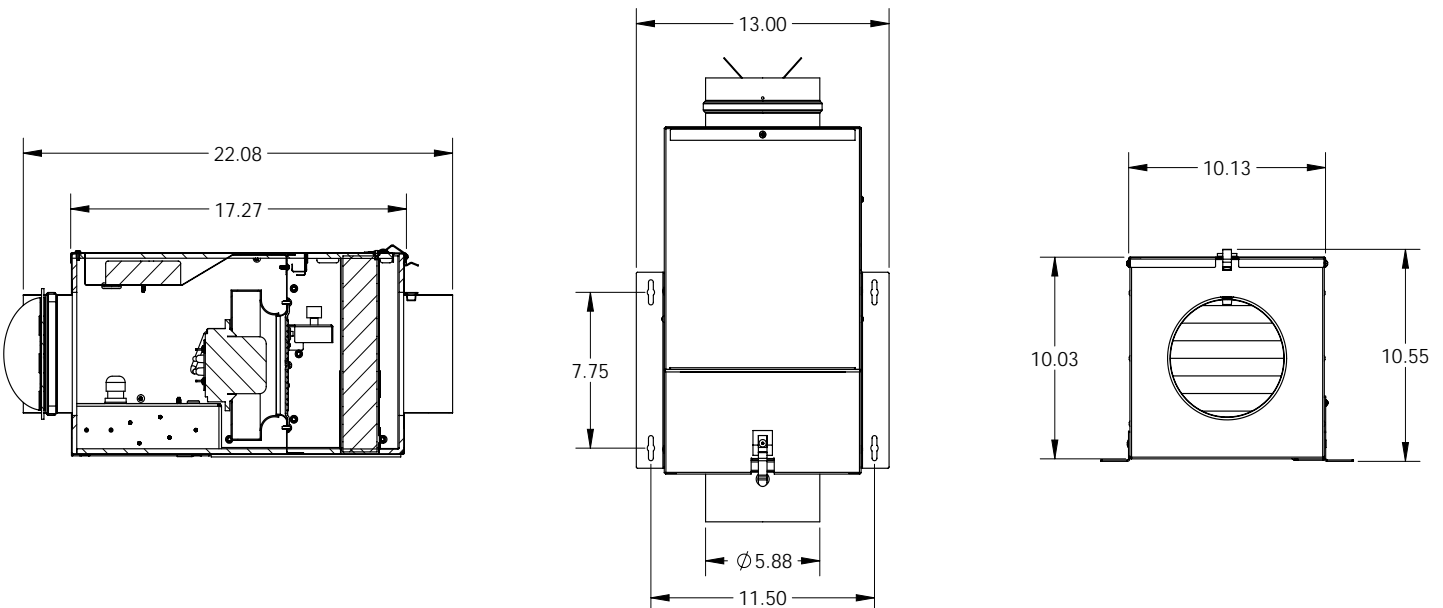
Specifications

- ES24V – Envirosense Ventilation Control mounted to outside of unit
- Galvanized, 26 ga., insulated housing
- 6" round duct connectors
- Integral backdraft damper
- Test port for easy air flow measurement
- 2" wide filter slot for optional 10 x 10 x 2" filters
- Integral mounting tabs allow mounting in any orientation
- Backward inclined wheel
- Speed controllable, AC motor, 115/120V, 60 Hz
- 4 pole, permanently lubricated, thermally protected motor
- Internally mounted speed control to set required intake with high, medium, and low set points
- AMCA Air and Sound Licensed
- HVI Certified performance with and without optional MERV13 Filters
- cULus 705 Listed
- UL 2043 - Suitable for Use In Air Handling Spaces

Options and Accessories

- 10 x 10 x 2" MERV8 or MERV13 filters
- Steel backdraft dampers
- Motorized backdraft damper
- Duct heater

Dimensions





ReFresh RF10-160EC Submittal

RF10-160EC



EcoWatt®



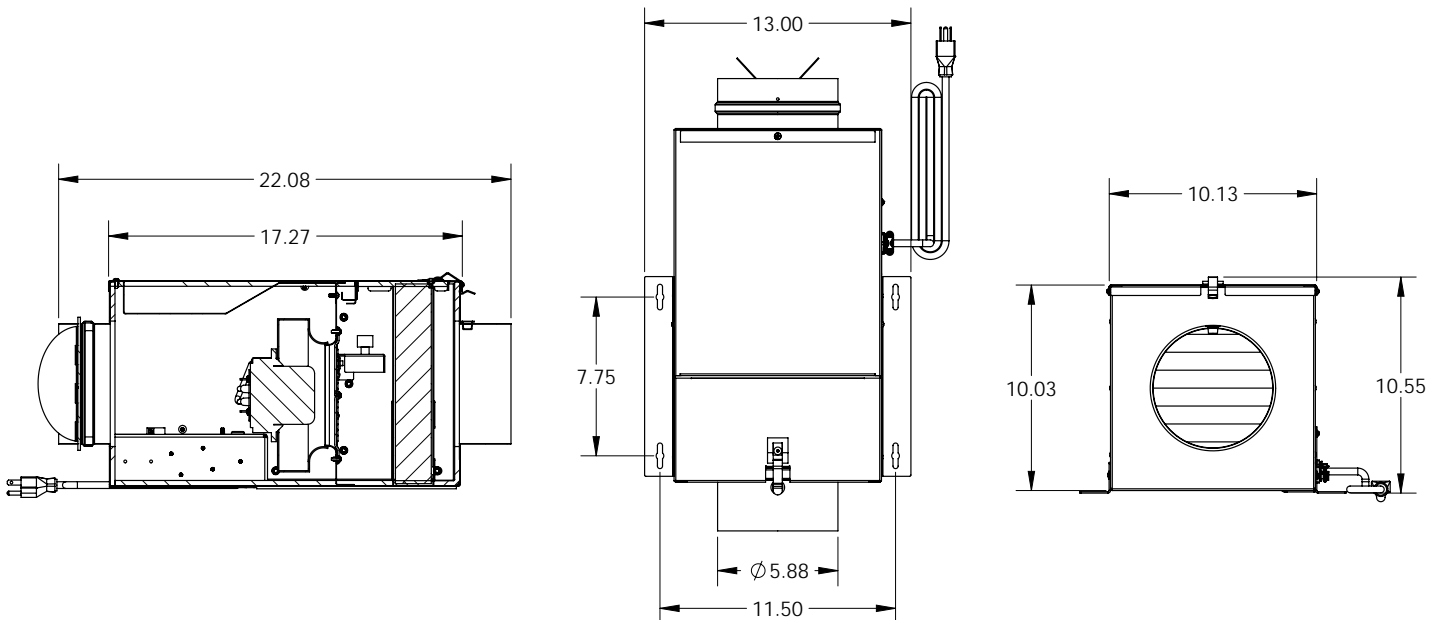
Specifications

- Galvanized, 26 ga., insulated housing
- 6" round duct connectors
- Integral backdraft damper
- Test port for easy air flow measurement
- 2" wide filter slot for optional 10 x 10 x 2" filters
- Integral mounting tabs allow mounting in any orientation
- Backward inclined wheel
- Speed controllable, EC motor, 115/120V, 60 Hz
- 4 pole, permanently lubricated, thermally protected motor
- Internally mounted speed control to set required intake with high, medium, and low set points
- 6' power cord
- ENERGY STAR® qualified
- AMCA Air and Sound Licensed
- HVI Certified performance with and without optional MERV13 Filters
- cULus 705 Listed

Options and Accessories

- 10 x 10 x 2" MERV8 or MERV13 filters
- ES24V – Envirosense Ventilation Control (loose)
- Steel backdraft dampers
- Motorized backdraft damper
- Duct heater

Dimensions





ReFresh RF10-160EC-ES24V

Submittal

RF10-160EC-ES24V



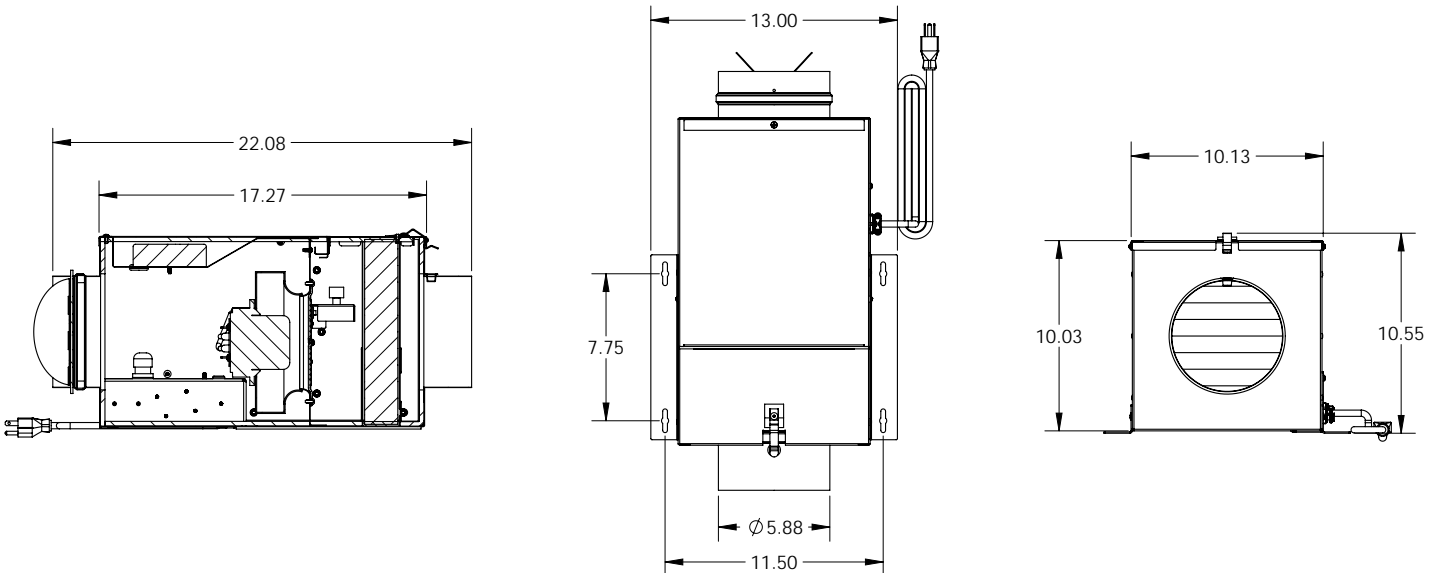
Specifications

- ES24V – Envirosense Ventilation Control mounted to outside of unit
- Galvanized, 26 ga., insulated housing
- 6" round duct connectors
- Integral backdraft damper
- Test port for easy air flow measurement
- 2" wide filter slot for optional 10 x 10 x 2" filters
- Integral mounting tabs allow mounting in any orientation
- Backward inclined wheel
- Speed controllable, EC motor, 115/120V, 60 Hz
- 4 pole, permanently lubricated, thermally protected motor
- Internally mounted speed control to set required intake with high, medium, and low set points
- 6' power cord
- ENERGY STAR® qualified
- AMCA Air and Sound Licensed
- HVI Certified performance with and without optional MERV13 Filters
- cULus 705 Listed

Options and Accessories

- 10 x 10 x 2" MERV8 or MERV13 filters
- Steel backdraft dampers
- Motorized backdraft damper
- Duct heater

Dimensions





ReFresh RF10-160EC-P Submittal

RF10-160EC-P



EcoWatt®



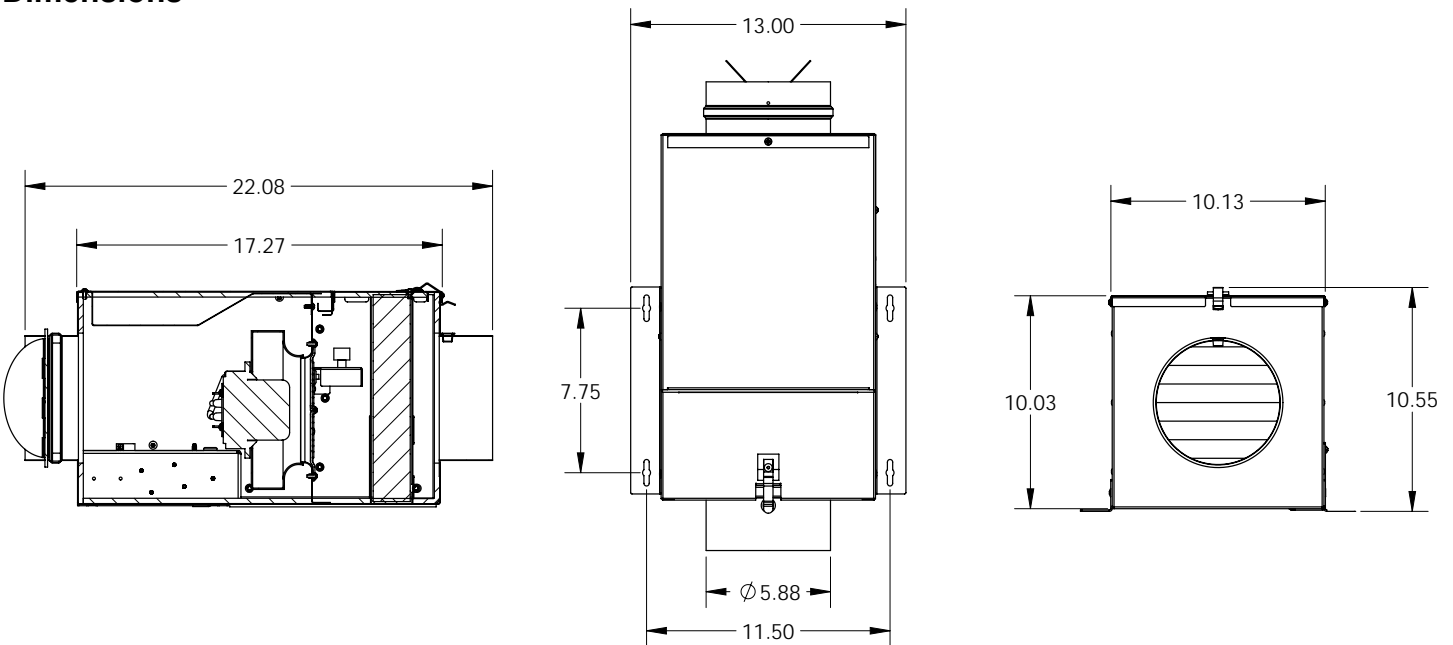
Specifications

- Galvanized, 26 ga., insulated housing
- 6" round duct connectors
- Integral backdraft damper
- Test port for easy air flow measurement
- 2" wide filter slot for optional 10 x 10 x 2" filters
- Integral mounting tabs allow mounting in any orientation
- Backward inclined wheel
- Speed controllable, EC motor, 115/120V, 60 Hz
- 4 pole, permanently lubricated, thermally protected motor
- Internally mounted speed control to set required intake with high, medium, and low set points
- ENERGY STAR® qualified
- AMCA Air and Sound Licensed
- HVI Certified performance with and without optional MERV13 Filters
- cULus 705 Listed
- UL 2043 - Suitable for Use In Air Handling Spaces

Options and Accessories

- 10 x 10 x 2" MERV8 or MERV13 filters
- ES24V – Envirosense Ventilation Control (loose)
- Steel backdraft dampers
- Motorized backdraft damper
- Duct heater

Dimensions





ReFresh RF10-160EC-P-ES24V Submittal

RF10-160EC-P-ES24V



EcoWatt®



ENERGY STAR



Specifications

- ES24V – Envirosense Ventilation Control mounted to outside of unit
- Galvanized, 26 ga., insulated housing
- 6" round duct connectors
- Integral backdraft damper
- Test port for easy air flow measurement
- 2" wide filter slot for optional 10 x 10 x 2" filters
- Integral mounting tabs allow mounting in any orientation
- Backward inclined wheel
- Speed controllable, EC motor, 115/120V, 60 Hz
- 4 pole, permanently lubricated, thermally protected motor
- Internally mounted speed control to set required intake with high, medium, and low set points
- ENERGY STAR® qualified
- AMCA Air and Sound Licensed
- HVI Certified performance with and without optional MERV13 Filters
- cULus 705 Listed
- UL 2043 - Suitable for Use In Air Handling Spaces

Options and Accessories

- 10 x 10 x 2" MERV8 or MERV13 filters
- Steel backdraft dampers
- Motorized backdraft damper
- Duct heater

Dimensions

