

# MODELS TRe90 & TRe90H

(Energy Recovery Ventilators (ERV) - EC Motor Standard)  
TRe90 is line cord power supply - TRe90H is hard wired/no cord



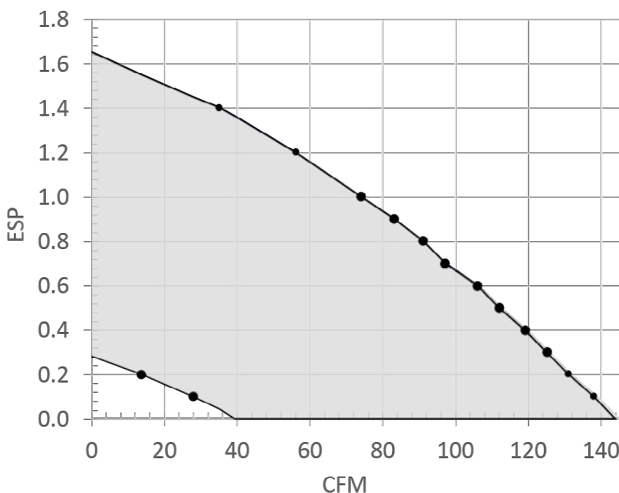
## Specifications

<b>Ventilation Type:</b> Static Plate, Heat and Humidity Transfer
<b>Typical Airflow Range:</b> 30-130 CFM
<b>Unit is HVI Tested/Certified per CSA C439</b>
<b>Protocol:</b> Using one L-50-G5 Core
<b>Standard Features:</b> <ul style="list-style-type: none"> <li>• White painted cabinet</li> <li>• Line-cord power supply for the TRe90</li> <li>• Hard wired/no cord for the TRe90H</li> <li>• Low-voltage circuit for controls</li> <li>• Unit may be mounted in any orientation</li> <li>• Cross-core differential pressure ports</li> <li>• Dial-A-Flow - balance and airflow adjustment</li> <li>• Variable speed</li> <li>• Boost mode</li> </ul>
<b>Controls:</b> Onboard digital controller with independent variable speeds
<b>Filters:</b> QTY 2: MERV 8, spun-polyester media: 7 1/2" X 10 1/2" X 1"
<b>Unit Weight:</b> 32 lbs.
<b>Max. Shipping Dimensions &amp; Weight (in carton):</b> 30" L x 22" W x 15" H 38 lbs.
<b>Motor(s):</b> Qty. 2, 120V EC motorized impellers

## EC Operating Range

Airflow (CFM)	External Static Pressure (inches w.g.)	Unit Power Consumption
Max Speed		
138	0.1	137
131	0.2	136
125	0.3	134
119	0.4	133
112	0.5	133
106	0.6	130
97	0.7	128
91	0.8	124
83	0.9	121
74	1.0	116
56	1.2	98
35	1.4	85
Min. Speed		
28	0.1	13
13	0.2	12

\*Airflow performance includes effect of clean standard filter  
\*Refer to CORES for specific operating point electrical data.  
\*Watts is for the entire unit



## Core Performance

Airflow(CFM)	Sensible EFF %	Total EFF% Winter/Summer*
Max Speed		
138	62	58/36
131	64	59/38
125	65	61/40
119	66	62/41
112	67	63/43
106	68	65/45
97	70	67/48
91	71	68/49
83	73	70/51
74	75	71/54
56	78	75/59
35	82	80/65
Min. Speed		
28	83	81/67
13	86	85/71

\*These are core only ratings and are not HVI certified.  
HVI ratings apply to complete units only.

## Electrical Data

Watts	Volts	HZ	Phase	FLA per motor	Min. Cir. Amps	Max Overcurrent Protection
53	120	60	1	0.85	10	10



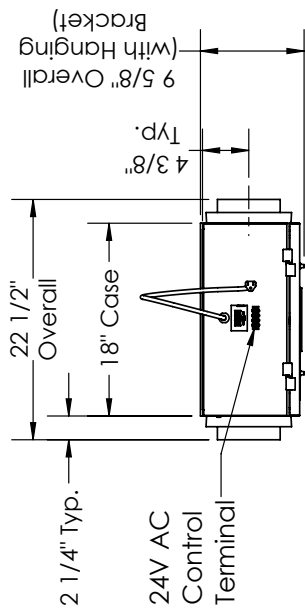
# MODEL TRe90 Dimensions

(Energy Recovery Ventilators (ERV) - EC Motor Standard)

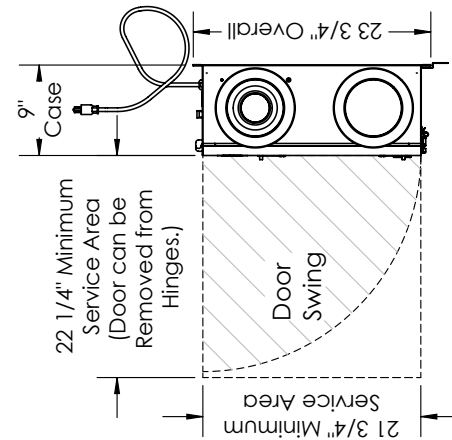
**ABBREVIATIONS**  
 EA: Exhaust Air to Outside  
 RA: Room Air to be Exhausted  
 SA: Supply / Fresh Air to Inside  
 OA: Outside Air Intake

**INSTALLATION ORIENTATION**  
 Unit may be installed in any orientation.

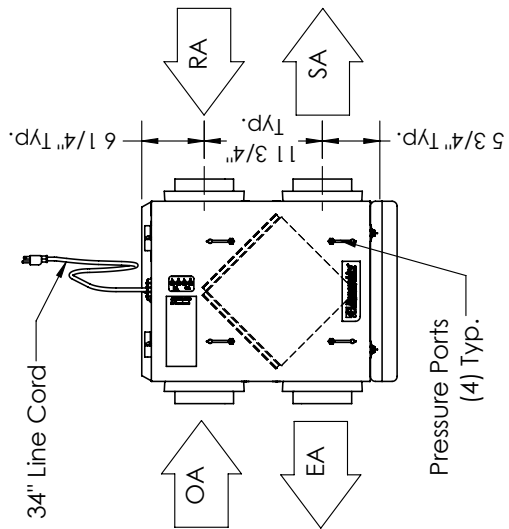
**NOTE:**  
 1. UNLESS OTHERWISE SPECIFIED, DIMENSIONS ARE ROUNDED TO THE NEAREST EIGHTH OF AN INCH.  
 2. SPECIFICATIONS MAY BE SUBJECT TO CHANGE WITHOUT NOTICE.



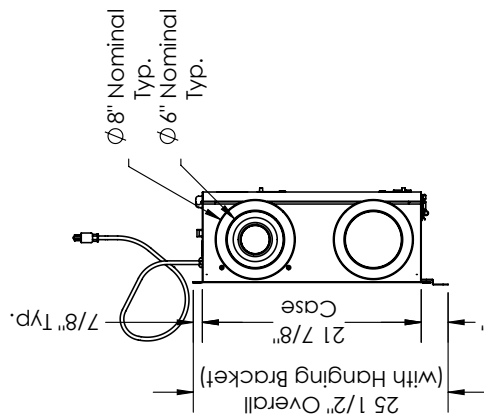
TOP VIEW



RIGHT VIEW



FRONT VIEW



LEFT VIEW



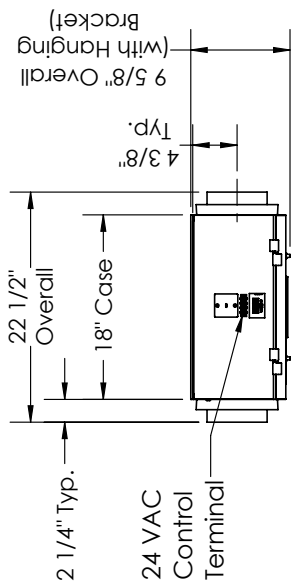
# MODEL TRe90H Dimensions

(Energy Recovery Ventilators (ERV) - EC Motor Standard)

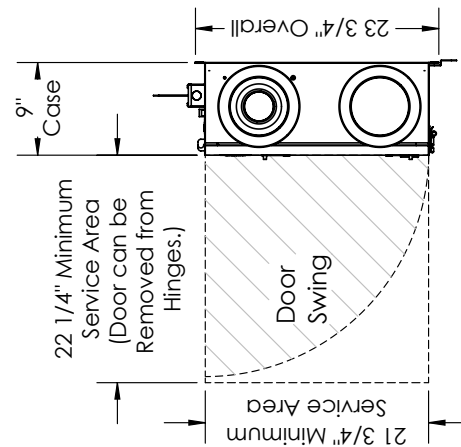
**ABBREVIATIONS**  
 EA: Exhaust Air to Outside  
 RA: Room Air to be Exhausted  
 SA: Supply / Fresh Air to Inside  
 OA: Outside Air Intake

**INSTALLATION ORIENTATION**  
 Unit may be installed in any orientation.

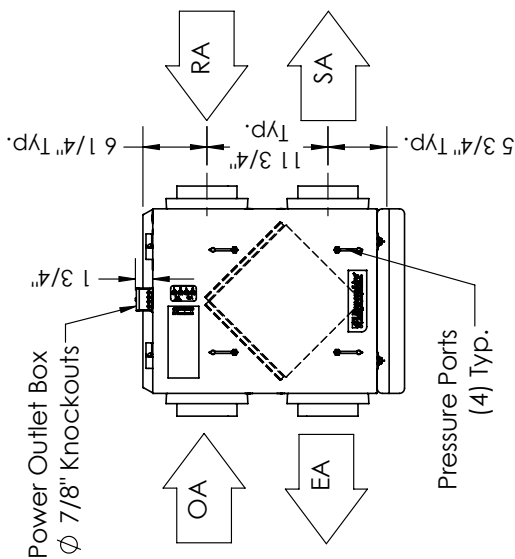
**NOTE:**  
 1. UNLESS OTHERWISE SPECIFIED, DIMENSIONS ARE ROUNDED TO THE NEAREST EIGHTH OF AN INCH.  
 2. SPECIFICATIONS MAY BE SUBJECT TO CHANGE WITHOUT NOTICE.



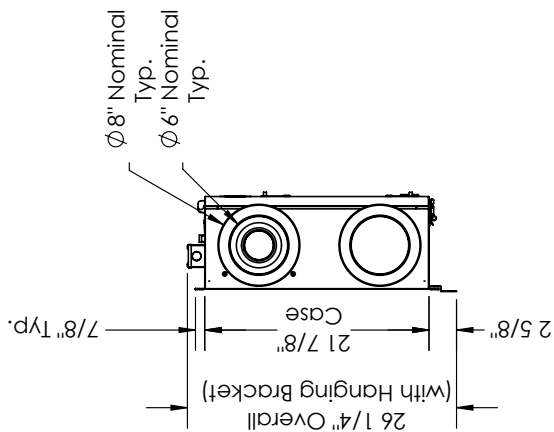
TOP VIEW



RIGHT VIEW



FRONT VIEW



LEFT VIEW