



# EXHAUSTO

## Chimney Fan RS 009-016

### Description

Mechanical draft fan for installation at the chimney termination point, vertically or for side-wall venting. Assures a negative pressure in the entire chimney or stack system. Discharges horizontally (vertically, if side-wall vented) at a high velocity.

The fan housing is hinged and the top can be opened for easy service and access to stack.

For use with gas, wood, coal, pellets, oil, and others.

### Material

Housing is made of cast aluminum with a thickness of 3/16" and is extremely corrosion resistant. One coat of grey hammerpaint finish is applied.

Axial vanes in stainless steel, dynamically and statically balanced to assure low noise level and vibration-free operation.

### Motor

Split capacitor, totally enclosed. Class H insulated, IP54 Protection Class. Sealed ball bearings. Variable Speed. Thermal overload protection.

### Standard Equipment

2"x4" or 4"x4" junction box with cover and conduit

Fiber Mat and Mounting Brackets

Bird Screen

5 Amp Fan Speed Control

### Optional Equipment

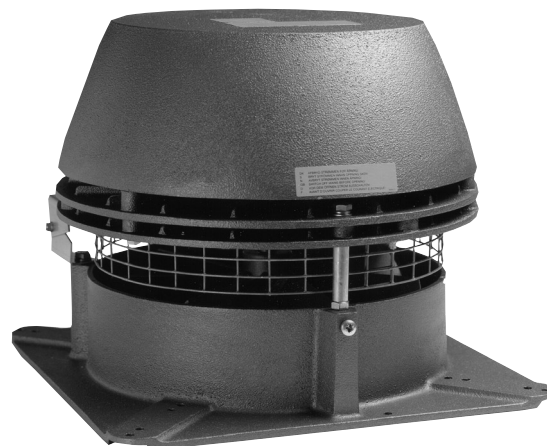
Fan Proving Switch

### Listings

ETL listing #E109205550D

UL378 - Draft Equipment

CSA-CAN3-B255-M81 - Mechanical Flue Gas Exhausters



### Approvals

CE Compliant

City of New York Department of Building

City of Los Angeles

The Commonwealth of Massachusetts (G1-1295-29)

### Warranty

2-year factory warranty on entire fan.

10-year warranty against corrosion perforation.

Manufactured at ISO9001 certified plant.

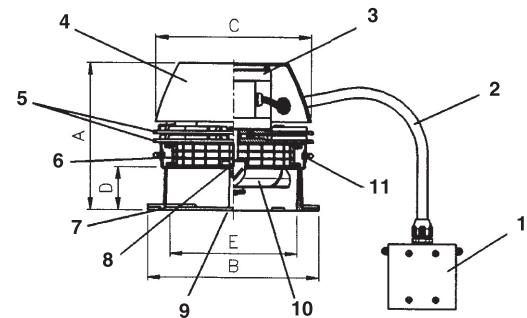
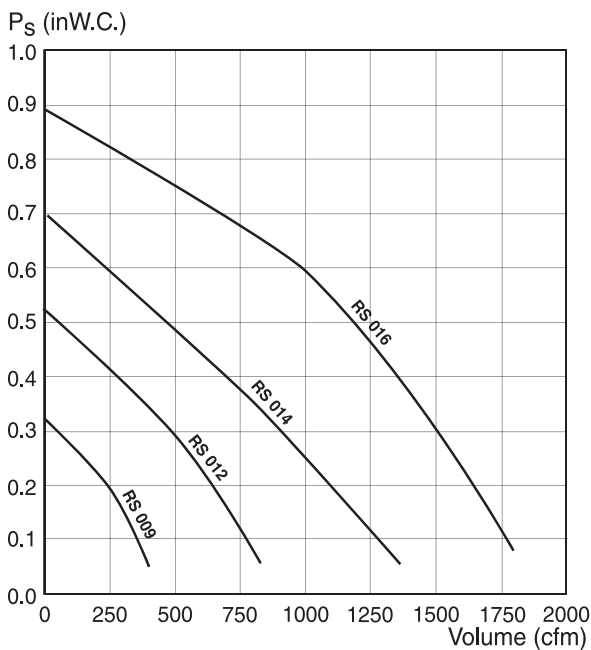
Specifications are subject to change without notice.

# EXHAUSTO

## Specifications

Model		RS 009	RS 012	RS 014	RS 016		
Discharge		Horizontal					
Fan Type		Axial Vane					
Motor Type		Totally enclosed, Variable speed, Class H					
Voltage		V AC					
RPM		1600					
Amperage		Amps	0.5	1.2	1.4	3.9	
Motor Output		HP	1/30	1/10	1/7	1/3	
		kW	0.025	0.08	0.1	0.25	
Weight		lbs.	29	37	47	61	
		kg	13	17	21	28	
Dimensions		A	in	10.0	11.0	13.2	18.0
			mm	250	275	330	450
		B x B	in	12.0	14.6	16.8	19.2
			mm	300	365	420	480
		C	in	11.4	14.0	15.8	18.0
			mm	285	350	395	450
		D	in	3.0	3.4	4.0	4.0
			mm	75	85	100	100
		E	in	8.0	11.0	12.0	14.0
			mm	203	275	300	350
Temperature Rating		Interm.	575°F/300°C				
		Cont.	482°F/250°C				

## Capacity



- |   |                |    |             |
|---|----------------|----|-------------|
| 1 | Junction Box   | 7  | Base Plate  |
| 2 | Conduit/cord   | 8  | Locking Nut |
| 3 | Motor          | 9  | Inlet       |
| 4 | Motor Housing  | 10 | Axial Vane  |
| 5 | Cooling Plates | 11 | Hinges      |
| 6 | Bird Screen    |    |             |

## Sound Diagrams

Model	Lw dB (measured in accordance with ISO 3744)							Lp dB(A)
	125Hz	250Hz	500Hz	1000Hz	2000Hz	4000Hz	8000Hz	
RS 009	54	50	47	43	38	31	25	21
RS 012	64	60	55	52	48	42	34	30
RS 014	75	69	65	62	57	51	44	41
RS 016	81	76	72	69	64	58	52	47