

PROFESSIONAL INLINE TWIN-BATHROOM EXHAUST KIT | ASBI-350T

Recommended for 2 large bathrooms up to 350 sq. ft total; delivers 470 CFM through a 8" duct system. Other sizes available.



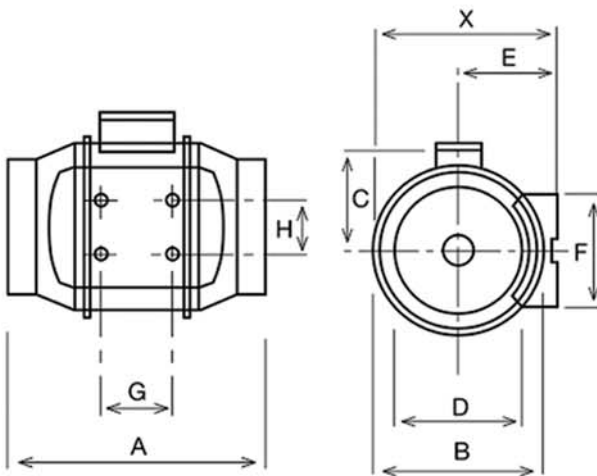
This high-flow bathroom exhaust system uses a powerful inline fan to deliver commercial ventilation performance with a fraction of the noise. A push-button timer is included that allows you to run the fan post bathroom use, fighting the effects of moisture, mold, and mildew.

The kit includes:

- Soler & Palau TD-200 8" inline centrifugal fan (470 cfm @ .2" sp)
- Plastic Contour Grill (2) w/built in backdraft damper
- Decora-Style Push Button timer (10, 20, 30 & 60 min. operation plus on/off)
- Duct attachment ties (10)
- Galvanized Steel Y-Splitter
- 25' of 6" & 8" flexible-insulated ductwork
- Heavy-duty, high-performance galvanized roof cap (or wall hood)



*choose a wall hood or roof cap



Soler & Palau TD-200 8" Inline Centrifugal Fan

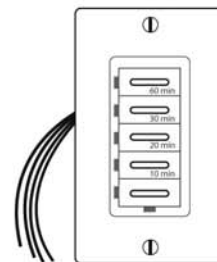
- ▶ 470 cfm fan @ .2" static pressure
- ▶ Single-phase (120V, 60 HZ) induction asynchronous motor, with permanent capacitor and external rotor in die cast aluminum.
- ▶ Direct, two-speed connection and speed-controllable
- ▶ Removeable body for mounting & servicing
- ▶ Thermal Overload Protection
- ▶ Can be mounted in any orientation
- ▶ Proven in countless commercial and high-end residential applications worldwide

Dimensional Information

X	A	B	C	D	E	F	G	H
9 3/16	11 7/8	8 9/16	5 9/16	7 13/16	4 7/8	5 1/2	3 15/16	3 11/16

Performance Information

Nom. RPM	Volts	Max. Watts	Spd	CFM vs. Static Pressure (SP) Ins. WG						Max. SP	Duct Dia. Ins.	
				0"	0.125"	0.25"	0.375"	0.5"	0.75"			1.0"
2781	120	184	High	538	495	458	418	367	190	10	1.0	8"

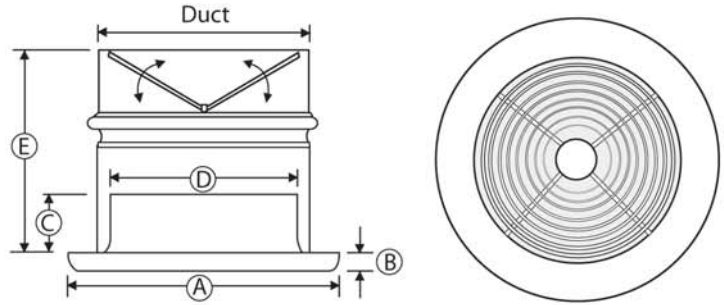


Push-Button Timer (Decora Style)

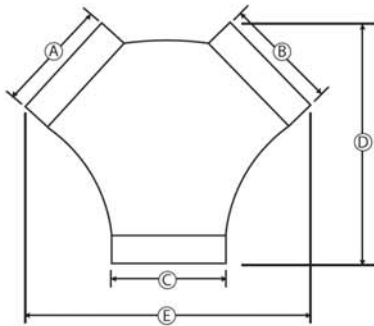
- ▶ 115V, 20 amp timer
- ▶ Fits standard single gang box
- ▶ 10, 20, 30 & 60 min operation
- ▶ On/Off control

Plastic Contour Grille (2) w/ Backdraft Damper

- ▶ Low-profile, fixed circular design
- ▶ Integrated backdraft damper
- ▶ 6" duct connection
- ▶ Galvanized steel mounting collar w/nailing strip



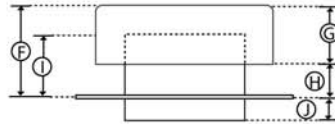
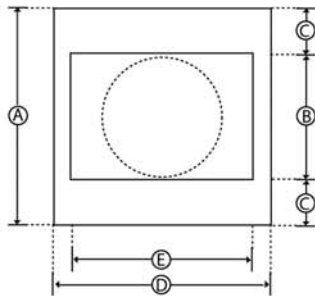
A	B	C	D	E
7	3/16	1 7/16	5 3/8	4 1/8



Y-Splitter (galvanized steel)

- ▶ Galvanized steel construction

A	B	C	D	E
6	6	8	10.5	15



Galvanized Steel Roofcap*

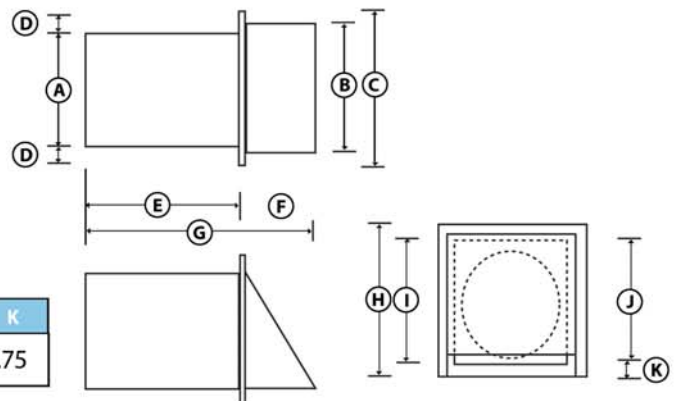
- ▶ Galvanized steel construction
- ▶ Includes insect screen
- ▶ Low-profile design (*installs on any pitch*)

A	B	C	D	E	F	G	H	I	J
15	8	3.5	15	12	5.5	3.5	1.875	3.25	3.125

↕ choose between roofcap or wall hood ↕

Galvanized Steel Wall Hood*

- ▶ Galvanized steel construction
- ▶ Includes a built-in damper & insect screen
- ▶ Rain-proof



A	B	C	D	E	F	G	H	I	J	K
8	10	11	1.5	8.5	5.125	14	11	8.375	9.875	.75