

TWO POSITION ROOM THERMOSTATS

MODELS MB-420-GS / ET5-S-1S / ETD5-S-1S

DESCRIPTION

The **ET Series** and **MB-420-GS** are Two-Position Room Thermostats designed for on/off control with set points from 50° to 90°F. The **MB-420-GS** uses a mercury bulb switch and is designed for low voltage control applications. The **ET5-S-1S** is a heating only thermostat and uses a snap-acting switch for line or low voltage applications. The **ETD5-S-1S** is a heating/cooling thermostat and uses a snap-acting switch for line or low voltage applications.

FEATURES

- *Line or low voltage ET5*
- *Line or low voltage ETD5*
- *Low voltage MB-420*



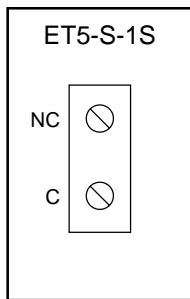
SPECIFICATIONS

Model	Voltage / Current	Differential	Switch	Contact	Dimensions
MB-420-GS	24 VAC/1 amp	Htg-1°F , Clg-1.5°F	Fan & System	SPDT, mercury bulb	2.75" W x 4.75" H x 1.25" D
ET5-S-1S	24-277 VAC/22 amp	Htg-2°F	None	SPST, snap acting	2.75" W x 4.75" H x 2.75" D
ETD5-S-1S	24-277 VAC/22 amp	Htg-2°F, Clg-4°F	None	SPDT, snap acting	2.75" W x 4.75" H x 2.75" D

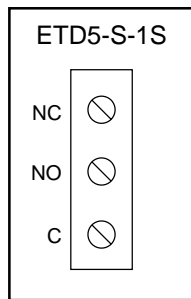
Set point range 50° to 90°F
Control type 2-position, ON/OFF

Mounting 2x4 vertical switch box
Agency listings UL & CSA (ET5)
 CSA (MB-420-G) UL not required

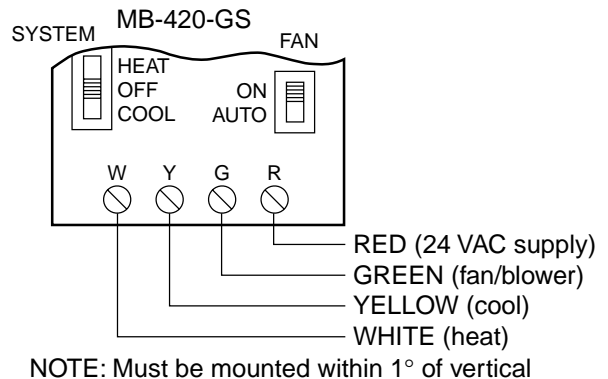
WIRING



Opens on temperature rise



C-NC Open on temp. rise
 C-NO Close on temp. rise



ORDERING INFORMATION

MB-420-GS	Low voltage thermostat w/ fan & system switch
ET5-S-1S	Line or low voltage heating thermostat
ETD5-S-1S	Line or low voltage heating or cooling thermostat