

Laing Thermotech, Inc.

# UCT-909 Tankless

The industry's first hot water recirculation pump designed specifically for tankless water heater applications



- compact spherical motor design
- energy efficient
- silent operation
- 24 hour timer
- strap-on temperature control
- 3/4" union connections for quick and easy installations
- built-in ball valve
- built-in check valve

The UCT-909 -Tankless is a timer and temperature controlled circulator. This innovative product design provides a controlled hot water recirculation system for tankless water heaters. The benefits of tankless water heater systems are increased by adding the luxury and convenience of instant hot water at all fixtures in the home.

The strap-on temperature sensor regulates the system temperature and limits the length of time the tankless heater will be operating during the recirculation period. The system will maintain a constant temperature at all fixtures in the home providing the immediate availability of hot water. The built-in 24 hour timer also allows you to select the times of day that you wish to have the system cycle. The timer is programmable in 1/2 hour increments and multiple on/off settings can be programmed. A built-in ball valve and check valve allows for quick and easy installation and service.

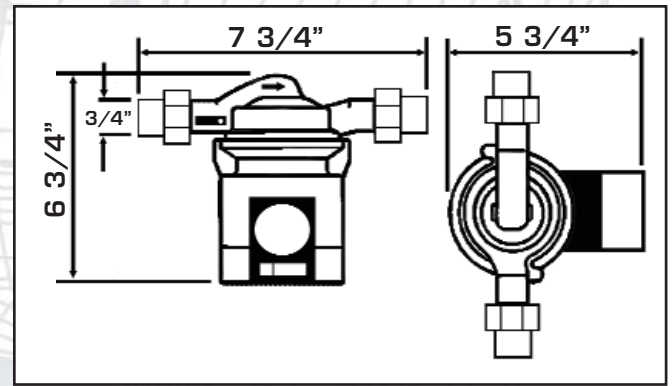
**LAING**

simply the best • by design

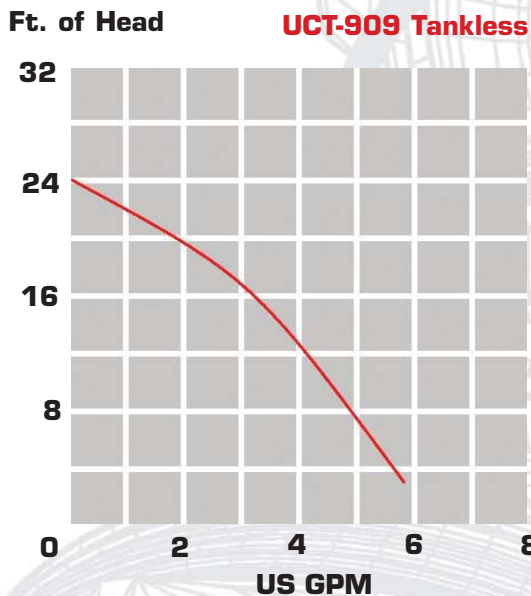
## Product Specifications:

- 1/20th horsepower
- 120 volt 60 cycle
- 98 watt 0.9 amp
- max fluid temp. 230° F
- max line pressure 150 PSI
- noise level 30dB
- weight 5 Lbs

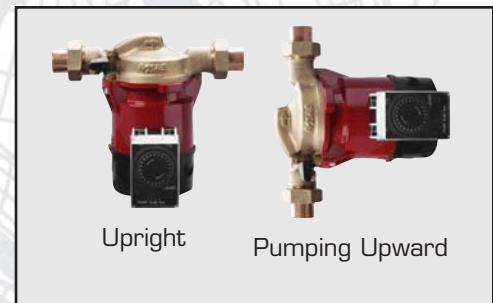
## Pump Dimensions:



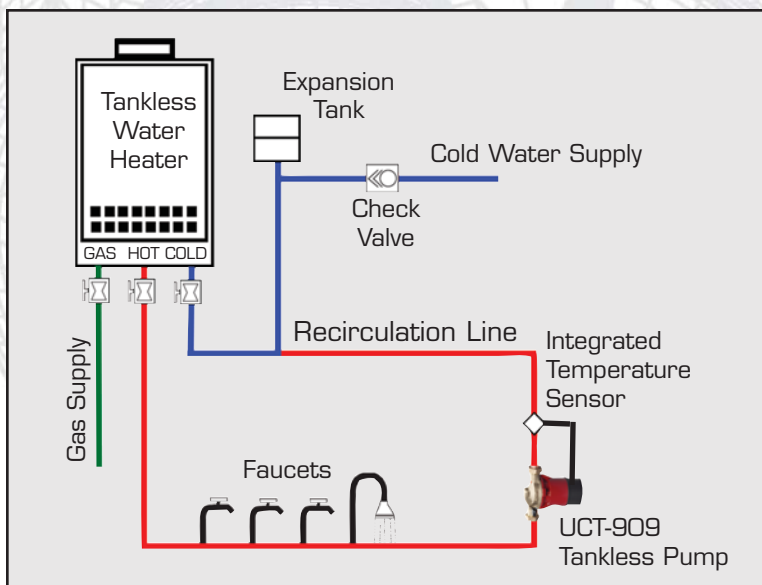
## Pump Curve:



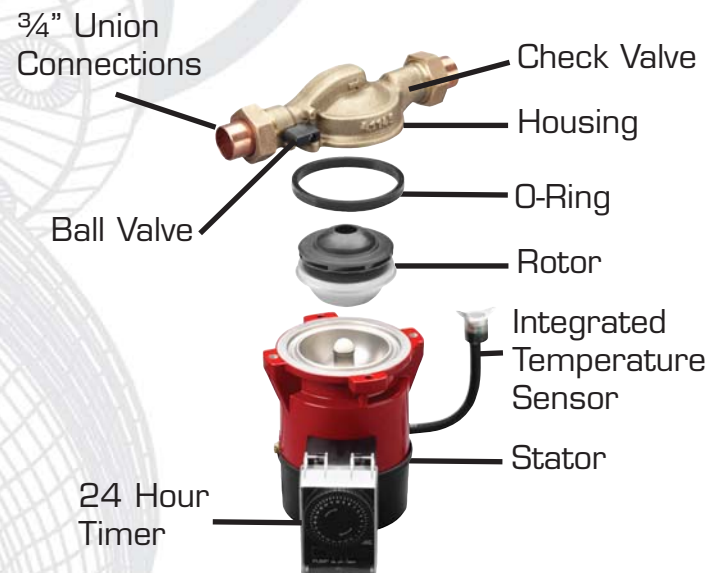
## Mounting Positions:



## System Diagram:



## Exploded View:



# LAING