



<b>Submittal Data</b> <b>Sheet</b> <b>SD102</b>	<b>EFFECTIVE</b> <b>2-10-2020</b>
---	--------------------------------------

# Hot Water Recirculation Systems



AquaMotion Hot Water Under-Sink System



AquaMotion Hot Two Instant Hot Water Dedicated Return-Line System

## SUBMITTAL DATA APPROVAL

For: \_\_\_\_\_

Job: \_\_\_\_\_

Date Submitted: \_\_\_\_\_ By: \_\_\_\_\_

Date Approved: \_\_\_\_\_ By: \_\_\_\_\_

Model Number: \_\_\_\_\_ Quantity: \_\_\_\_\_

Model Number: \_\_\_\_\_ Quantity: \_\_\_\_\_

Model Number: \_\_\_\_\_ Quantity: \_\_\_\_\_

Model Number: \_\_\_\_\_ Quantity: \_\_\_\_\_



US DESIGN • US BUILT • PATENTED

## Stainless circulators with patented serviceable Green Eco Replacement Cartridge™

### APPLICATION:

AquaMotionHot systems deliver instant hot water while saving time, money, energy and water. AquaMotionHot One is an under sink system. AquaMotionHot Two is a dedicated return line system. Both provide instant hot water with low energy consumption. AquaMotionHot On-Call systems are user activated for additional energy savings and to meet certain code requirements.

### FEATURES:

The revolutionary “Green Eco Cartridge™ Design” is the heart of the circulator and contains all moving parts. It has the only field replaceable and field serviceable cartridge on the market. When competitors’ circulators fail, the entire cartridge, motor assembly or pump must be replaced, increasing the foot print on the environment and doubling the cost to the consumer. With our pump simply remove the rotor assembly, flush the cartridge with water and reinstall it. Simple, cost effective, patented. Patent No. 8,083,500 and No. US 8.303.184 B1.

### SPECIFICATIONS

- Maximum water temperature  
 AquaMotionHot One 176°F (80°C)  
 AquaMotionHot Two and On-Call 230°F (110°C)
- Maximum working pressure 125 psi
- Maximum ambient temperature 104°F
- Minimum inlet pressure 20 psi
- Electrical Ratings 120V, 60Hz
- Equipped with 10 ft. Grounded Line Cord
- AMH2K-7 includes aquastat with an 8Ft cord, temperature range of 85°F-105°F
- AMH2K-R has a built-in aquastat, temperature range of 85°F-105°F

### MATERIALS OF CONSTRUCTION

#### Components

STAINLESS STEEL: Pump Housing, wear ring, bearing support, cartridge sleeve, rotor sleeve, rotor cover

CARBON STEEL: Motor housing

ALUMINUM OXIDE CERAMIC: Shaft

CARBON IMPREGNATED: Radial bearings

EP (Ethylene Propylene Rubber): O-ring and gaskets

COMPOSITE: Impeller

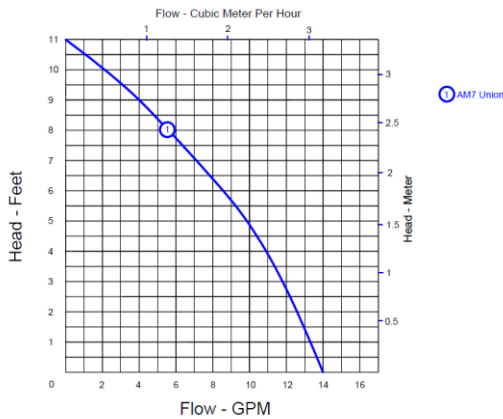
## AquaMotion Hot Circulator Technical Data

<b>AquaMotionHot One</b>					
<b>Under Sink System</b>					
Pump Model	Ampere	Connection	Housing Material	Accepts Check Valve	Speed
AM7-SU1LAM	0.60	Union	Stainless	20mm	1
AMR-S3FVAL	Hi: 0.79 Med: 0.62 Low: 0.46	Flange, 4 Bolt	Stainless	25mm	3
<b>AquaMotionHot Two</b>					
<b>Dedicated Return Line System</b>					
AM7-SUV1L	0.60	Union	Stainless	20mm	1
AMR-S3FVAL	Hi: 0.79 Med: 0.62 Low: 0.46	Flange, 4 Bolt	Stainless	25mm	3

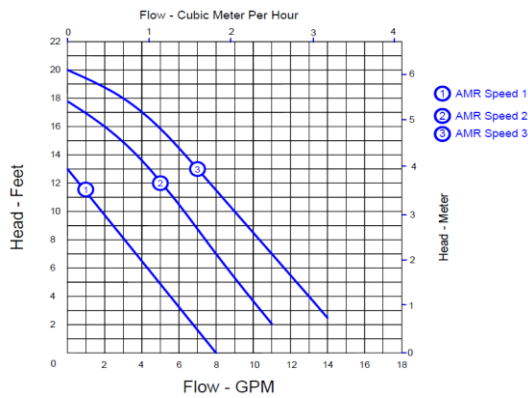
### Recirculation Circulators Performance

#### AquaMotion Hot - Performance

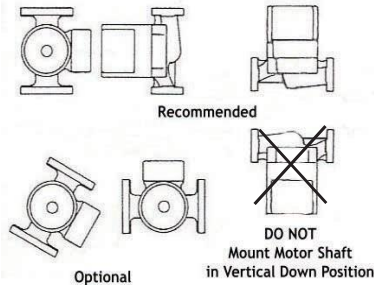
AM7 Curve



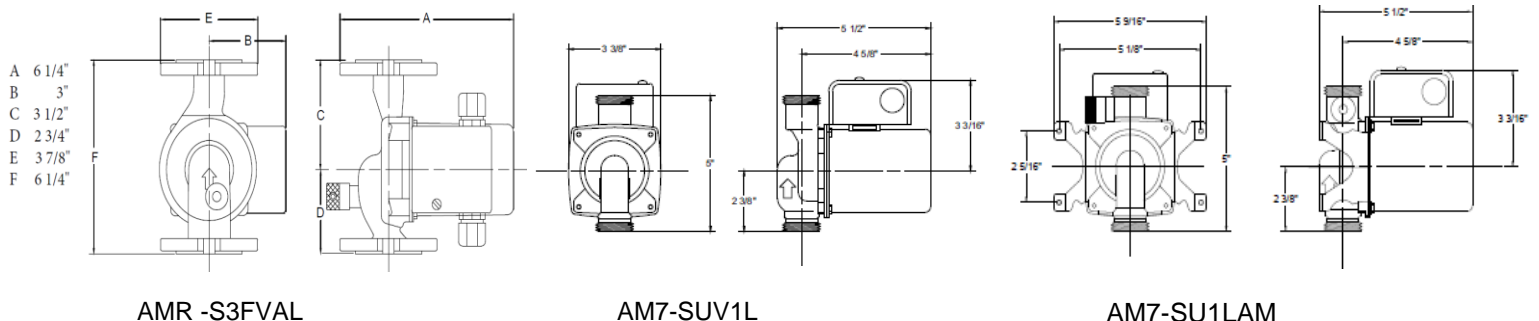
#### AquaMotion - Performance AMR Curves



### Mounting Positions



For Indoor Use Only



### AquaMotionHot™ Part Number and Descriptions

Part Number	Description
	AquaMotionHot One - for UNDER SINK installation
AMH3K-7	AM7-SU1LAM Circulator with Union, Line Cord, Built-In Aquastat, BICV, & with Fittings and Hoses For systems with hot water tanks. Automatic or On-Call. <u>Medium</u> Pipe length
AMH3K-R	AMR-S3FVAL Circulator with Union, Line Cord, Built-In Aquastat, BICV & Fittings and Hoses For systems with hot water tanks or tankless water heaters. Automatic or On-Call. <u>Long</u> pipe length
	AquaMotionHot Two - for DEDICATED RETURN LINE installation
AMH2K-7	AM7-SUV1L Circulator, 1/2" Sweat & Pex Fittings, 3/4" Pex & Sweat Fittings, 3/4" Tee, 2" long by 3/4" Nipple, 3/4" NPT tailpiece, Universal 1/2" & 3/4" Aquastat For systems with hot water tanks. Automatic or On-Call.
AMH2K-R	AMR-S3FVAL Circulator, 3/4" Male Threaded Flange, Built-in Aquastat for Systems with tankless water heaters. Automatic or On-Call.
	AquaMotionHot On-Call™ Kits- for user controlled hot water
AMK-CB	On Call Air Actuated Chrome Counter Control Kit with Relay and Auto Shut Off, Counter Top Mount or Through Cabinet
AMK-WB	On Call Remote RF Wireless Control with Adjustable Auto Shut Off and Plug-in Receptacle - No Wiring Required
AMK-MS	On Call Wireless Control Kit with Motion Sensor, Wireless Motion Detector with adjustable wall mounting bracket, Adjustable Auto Shut Off and Plug-in Receptacle - No Wiring Required (9volt battery required)
	Additional On-Call Components
AMK-T	Digital Timer, Plugs in to standard wall outlet; <u>for all systems</u>
AMK-CBW	White Replacement Button for AMK-CB Kit
AMK-WBR	Additional Wireless Button with Wall Mounting Bracket for AMK-WB Kit
AMK-MSR	Additional Motion Wireless Motion Detector for AMK-MS Kit