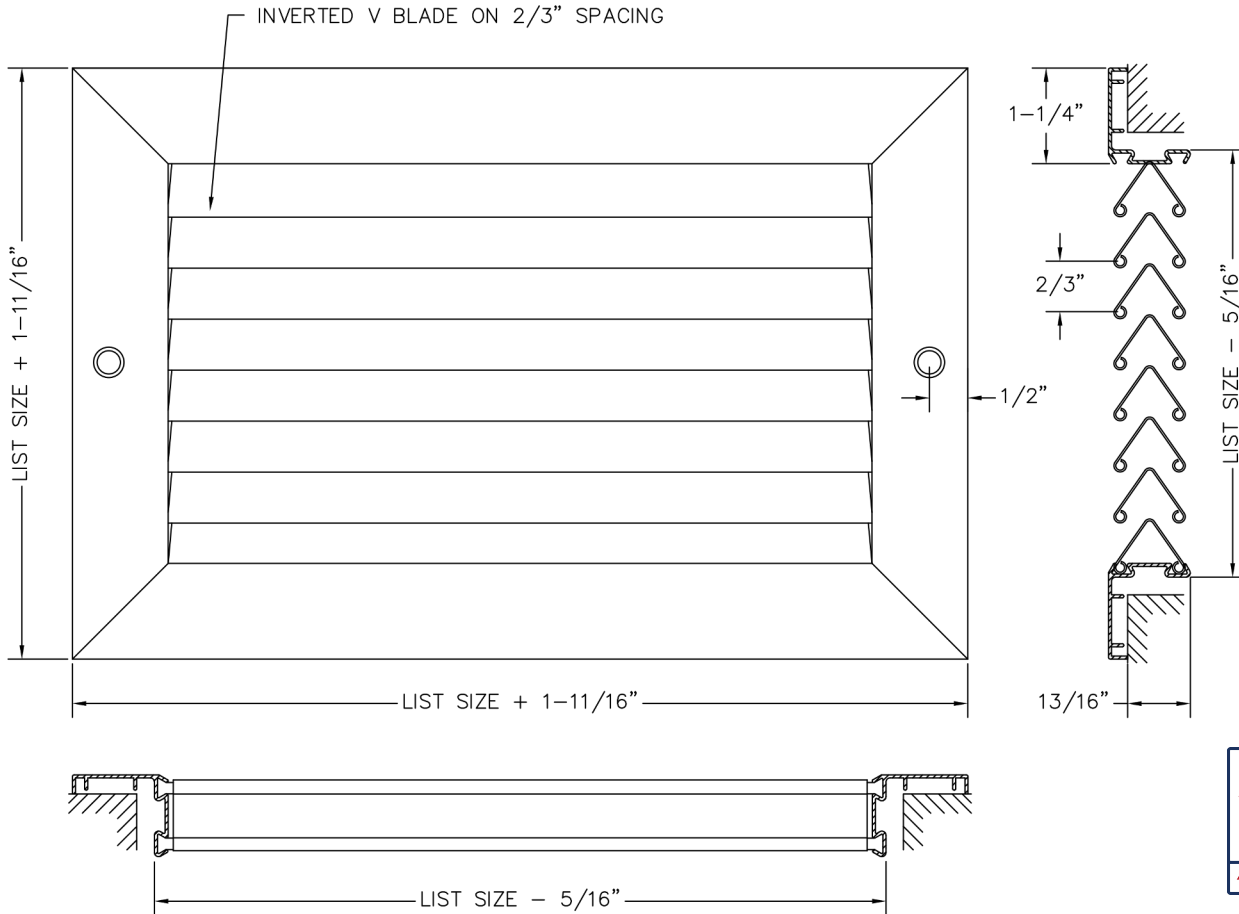




- Inverted V-shaped blades on 2/3" spacing.
- Roll-formed blades designed to minimize vision past core, while maintaining free for transfer.
- Pressure-fit nylon pivot pins provide rattle free performance.
- High quality aluminum extruded frame.
- Countersunk #6 screw hole mounting c/w painted screws.
- Mullions used for sizes over 22" in length.
- Available on 2" increments as standard. Custom sizes available down to 1/16" increments.
- Available with durable powder coat finish.



See submittal **DANV-A** for Transfer/Door Grille with Standard Flange Frame and Auxiliary Frame.
See submittal **DANV-C** for Transfer/Door Grille with Trim Frame Only.

1. Specify the Length x Height Dimensions

Inches MM _____ x _____

3. Select a Finish

- W White
- S Silver
- M Mill

4. Select a Lead Time

- 3 Day Ship
- Next Friday
- Standard Delivery

Additional Options

- TB** - No Screw Holes
- IS** - Insect Screen
- AA** - All Aluminum

Project / Location: _____

Architect: _____

Engineer: _____

Contractor: _____

