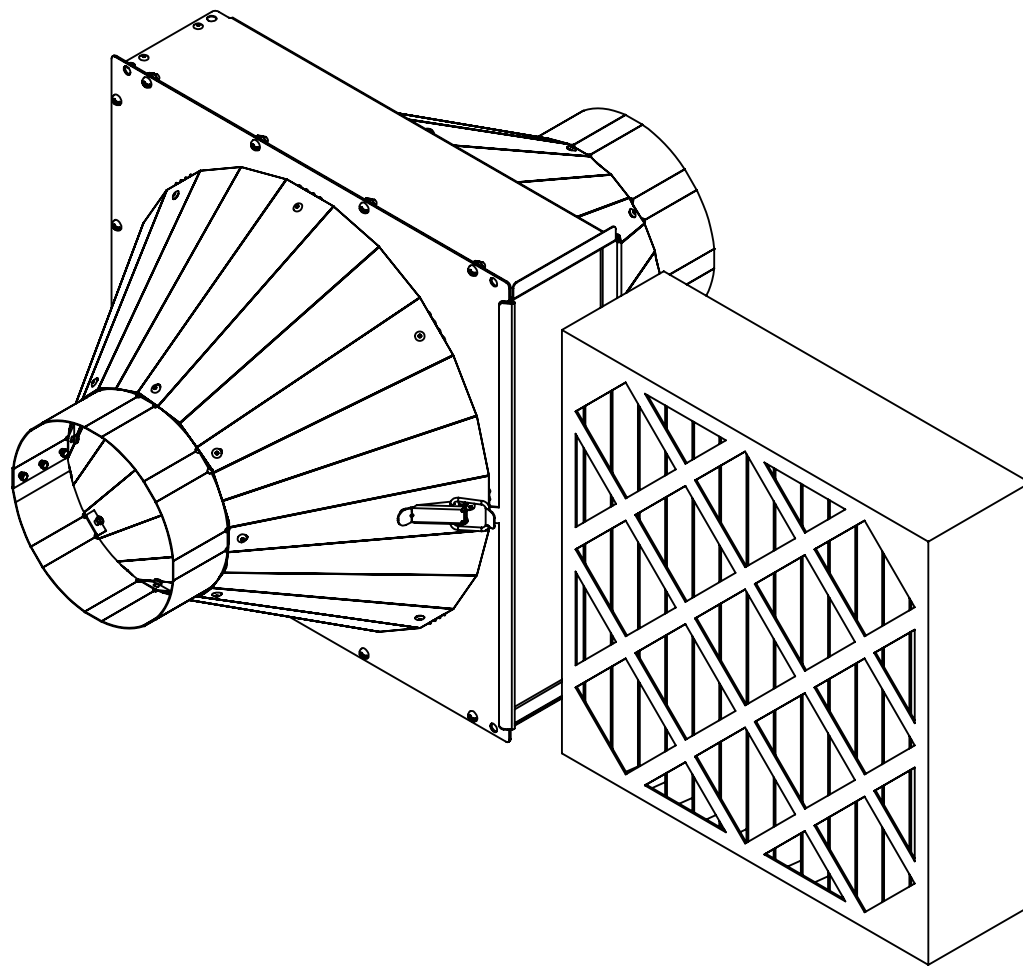
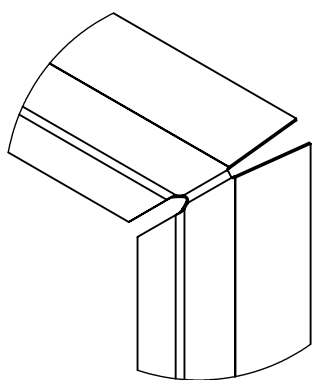


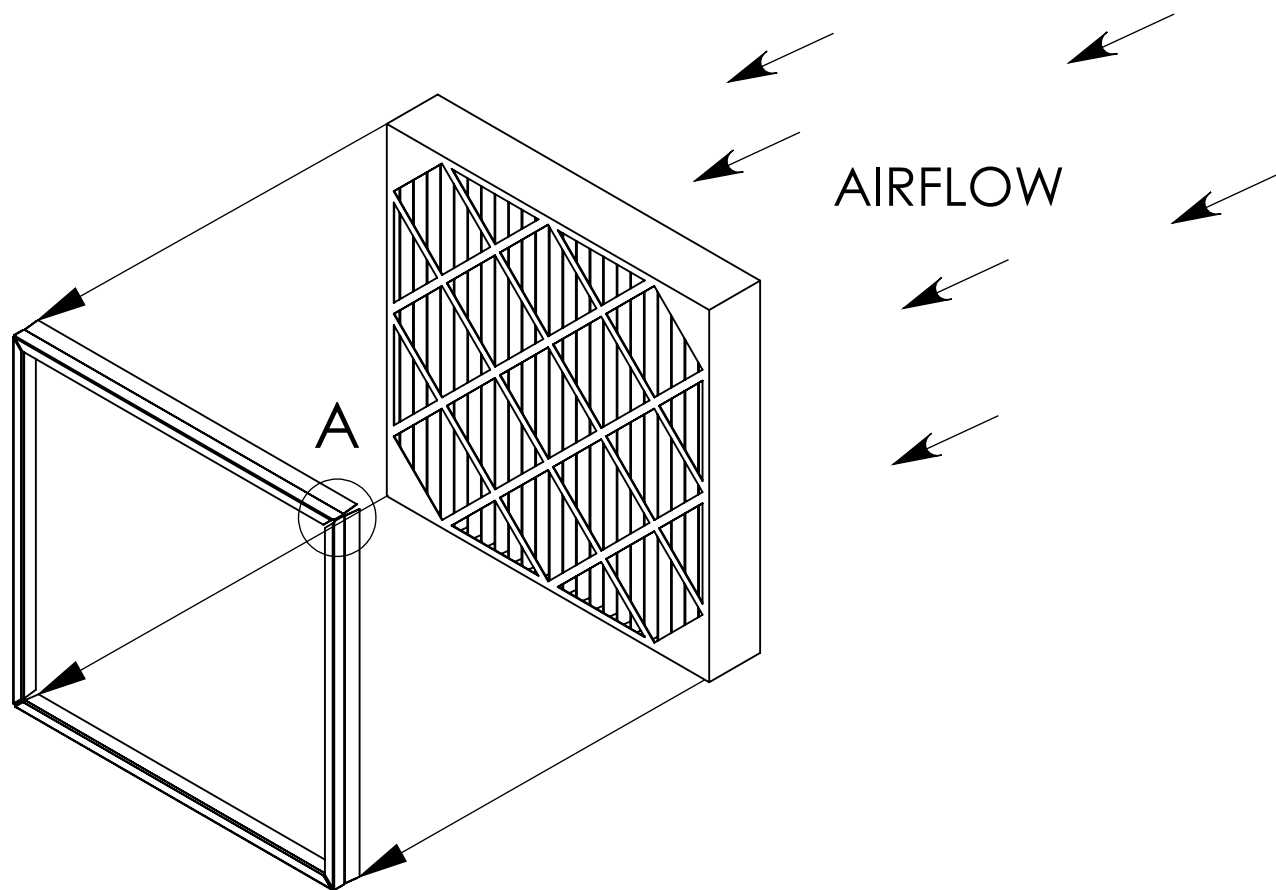
FILTER REPLACEMENT



- Step 1:** Release the clips and remove the filter lid
- Step 2:** Pull out the filter, using the lever for assistance
- Step 3:** Insert new **MERV 13** filter and reattach lid*



Detail A

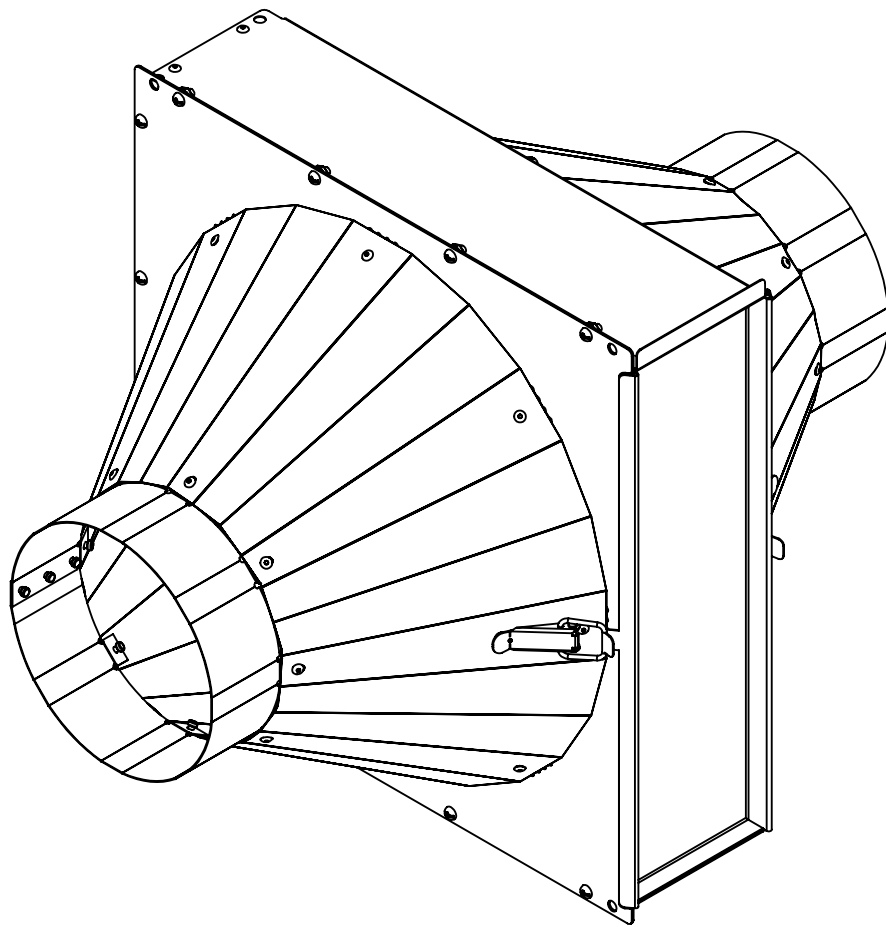


***CFB 10 and CFB 12 models ship with an added filter frame that must be positioned relative to the direction of airflow through the unit. Check the airflow stickers on the frame when replacing the filter to make sure the frame is installed correctly.**

MERV 13 Filter Dimensions

| | |
|-----------------|-----------------|
| CFB 6 -14x14x4 | CFB 8 -18x18x4 |
| CFB 10 -24x24x4 | CFB 12 -24x24x4 |

Thank you for your purchase



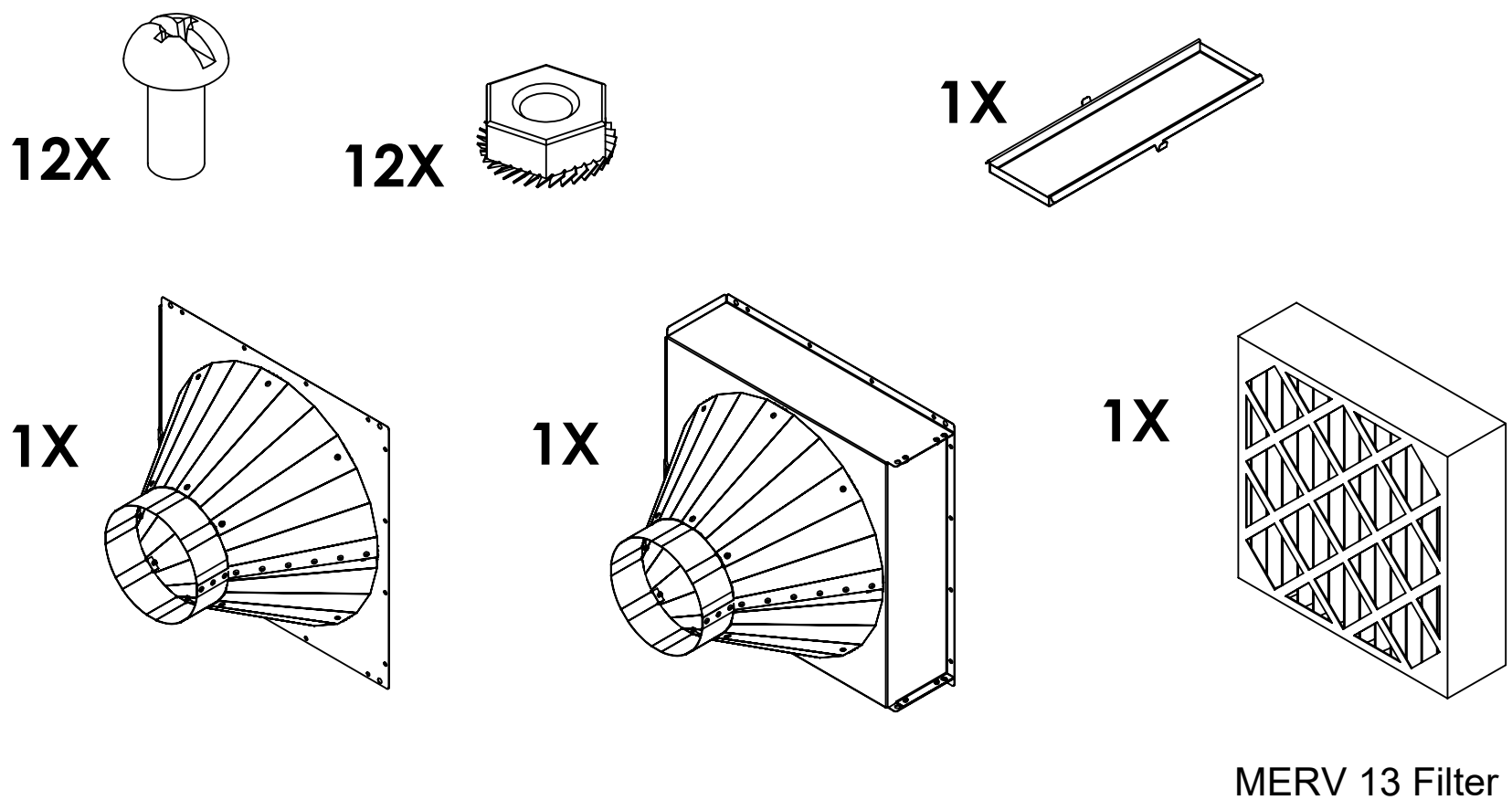
CFB
Conical Filter Box
6"/8"/10"/12" Duct

Uses MERV 13 Filters
 -available on HVACquick.com

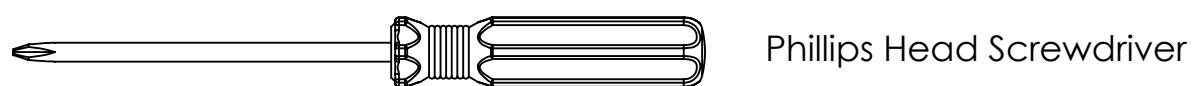
MERV 13 Filter Dimensions

- CFB 6 - 14x14x4
- CFB 8 - 18x18x4
- CFB 10 - 24x24x4
- CFB 12 - 24x24x4

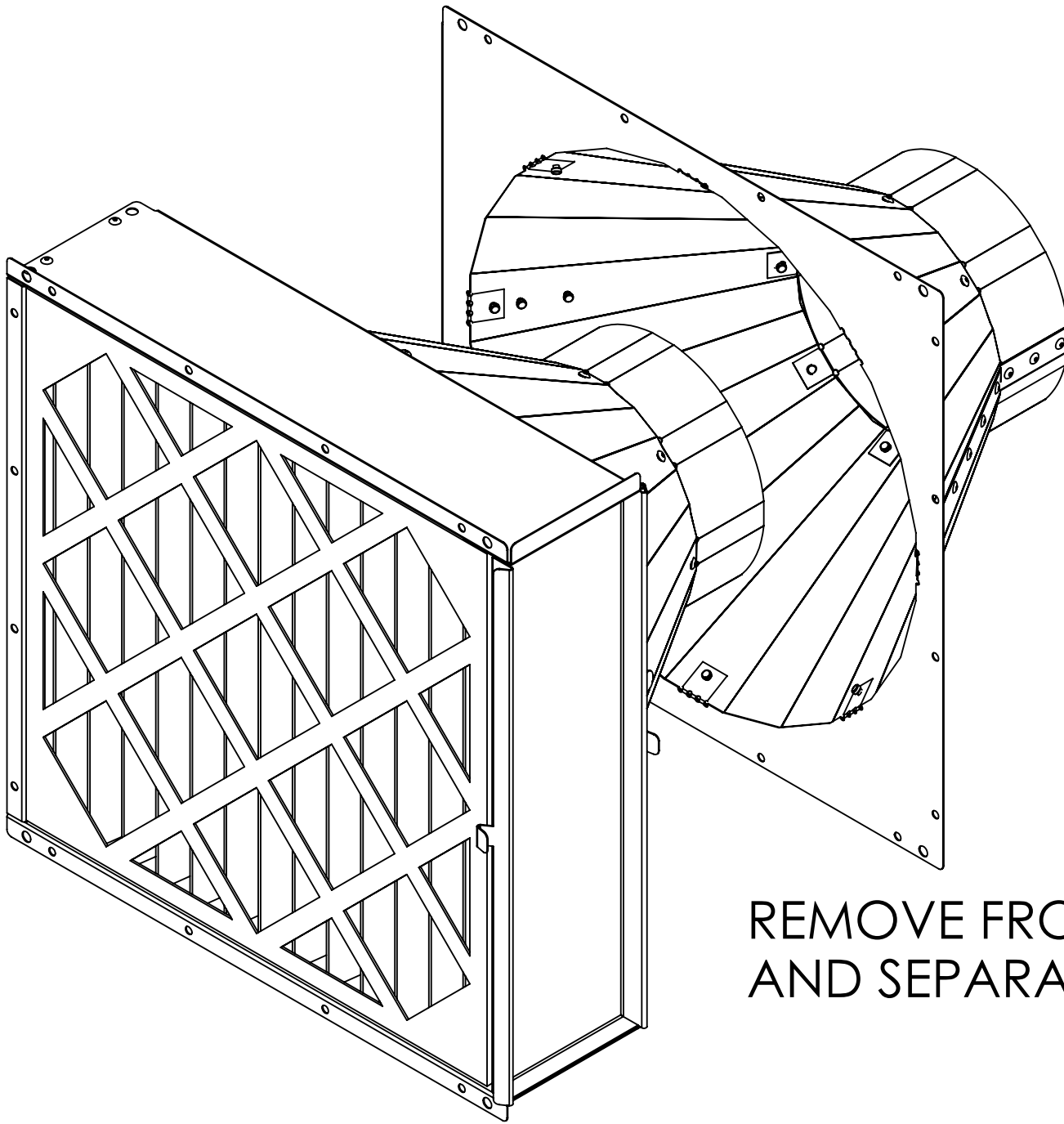
Included in this kit



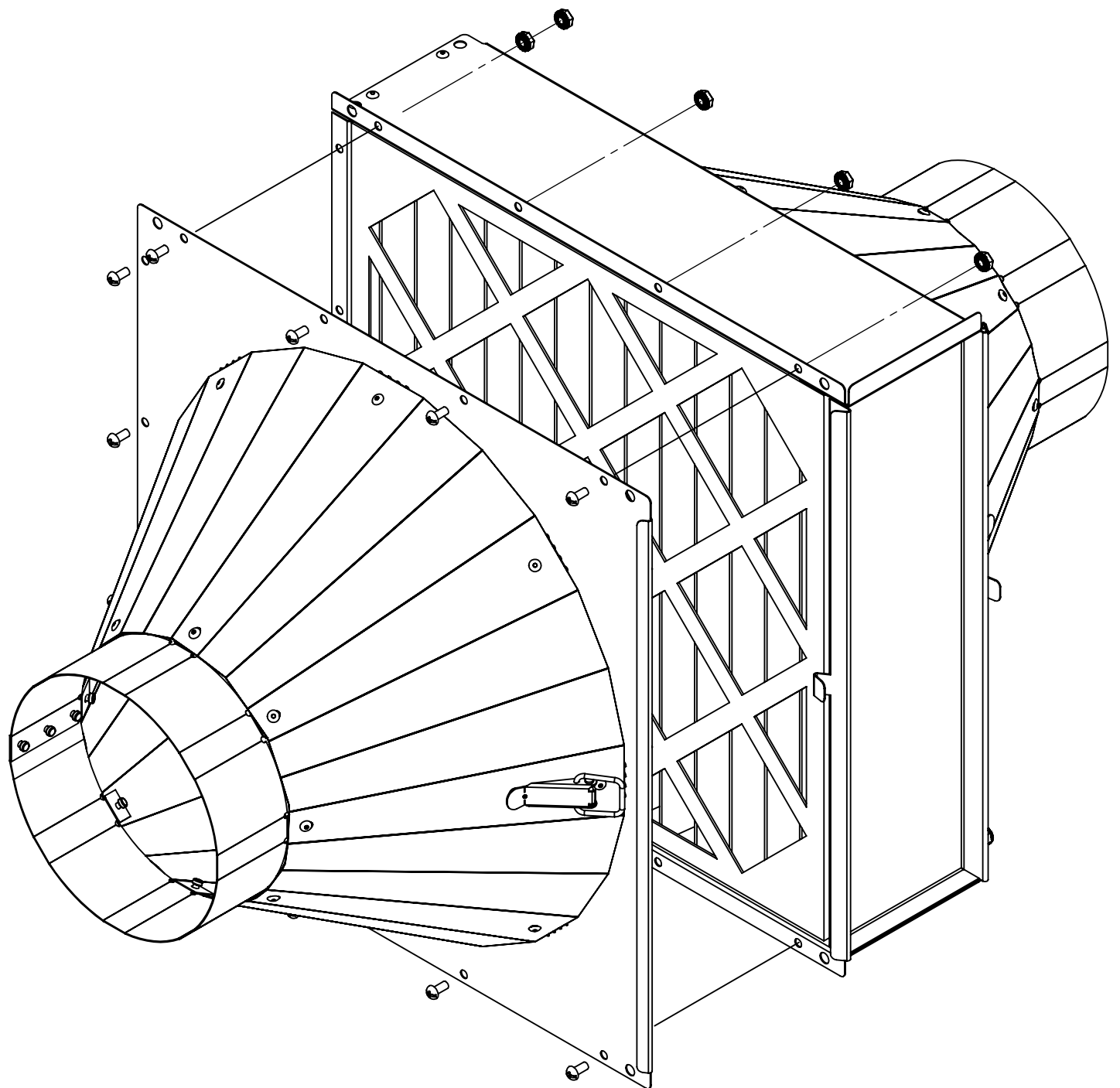
NOT Included in this kit



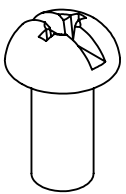
WARNING:
 Sheet metal can be sharp and installing the hardware can produce metal shards. We recommend wearing safety glasses and gloves



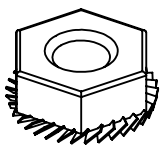
REMOVE FROM PACKAGING
AND SEPARATE ALL PIECES

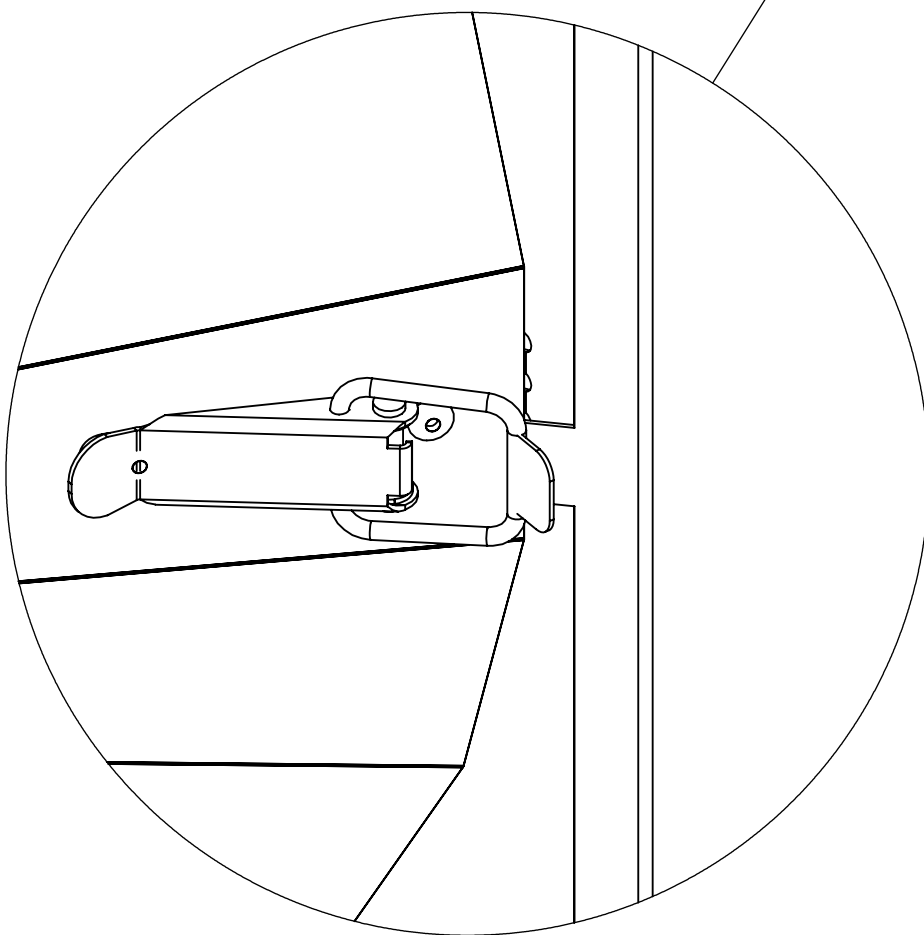
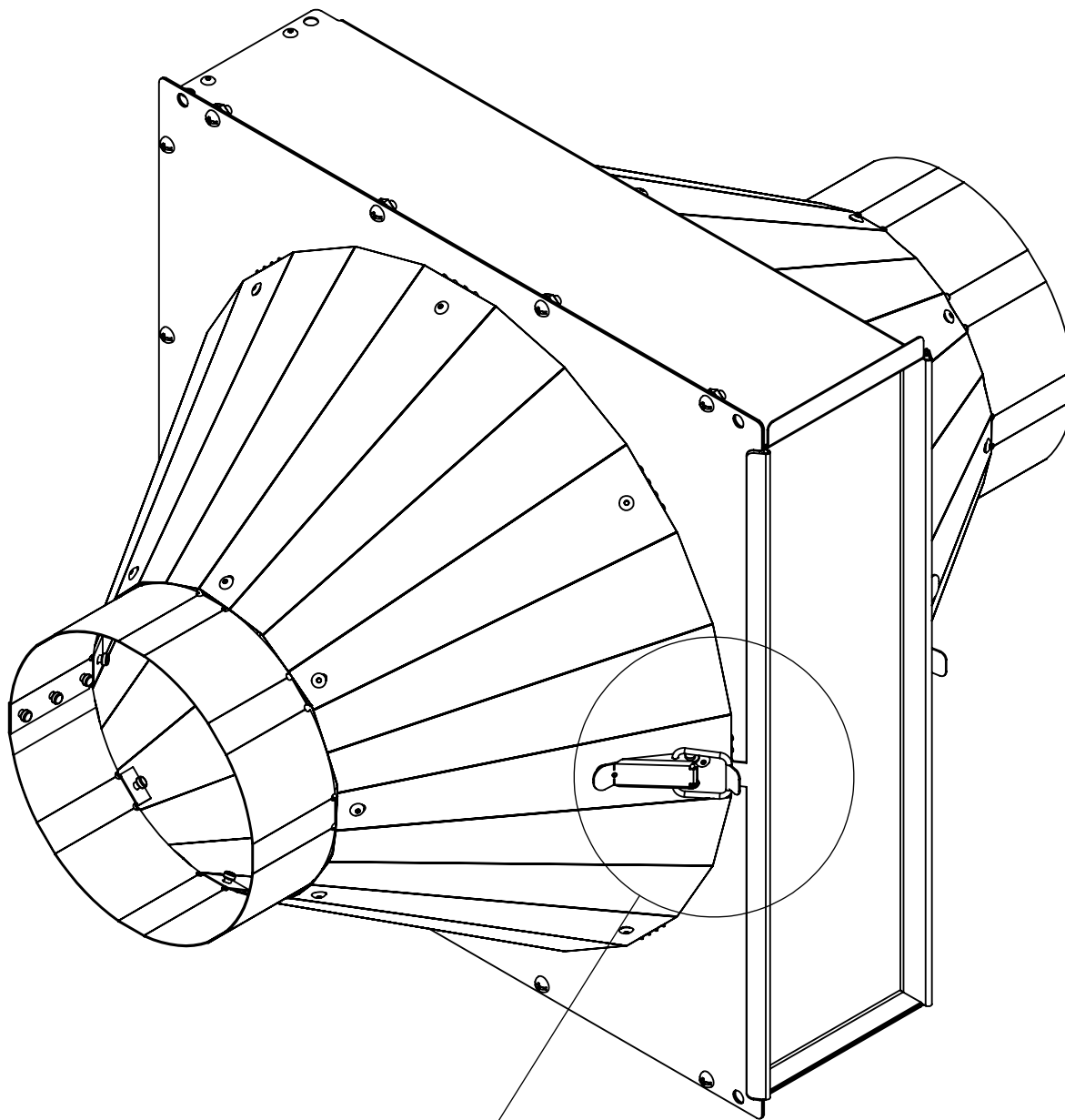


12X



12X





ATTACH LID WITH
CLIPS AS SHOWN



Ready to install