

## Features:

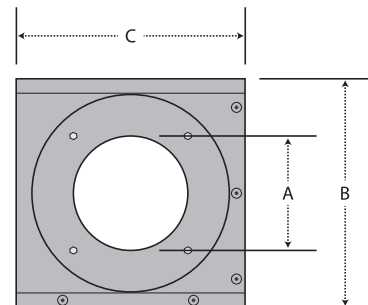
- 22-gauge galvanized steel construction
- Lid attaches securely with latches; opens easily for quick filter replacement
- MERV 6 polypropelene filter media; replacement media available from HVACQuick.com
- **Large orders are welcome, and may benefit from additional discounts: Call us for more information or for resale opportunities**

## Specifications:

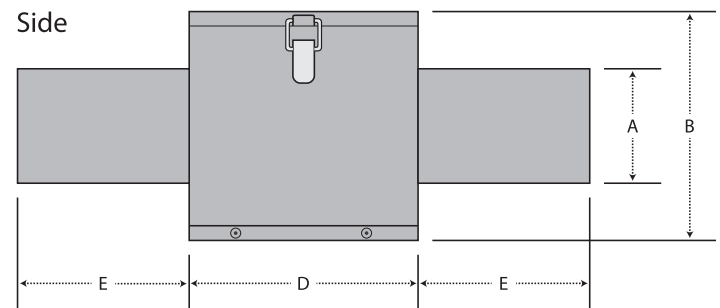
	Dimensions (inches)					Maximum Airflow (CFM)*		
	A	B	C	D	E	Low	Typical	High
IFB-4	4	8	8	8	6	170	240	345
IFB-5	5	9	9	9	6	220	305	435
IFB-6	6	10	10	10	6	270	375	535
IFB-8	8	12	12	12	6	385	540	775
IFB-10	10	14	14	14	6	530	740	1055
IFB-12	12	16	16	16	6	695	970	1385
IFB-14	14	18	18	18	6	1005	1400	2000

(Lid not pictured above)

Front



Side



\*Low, Typical, and High maximum airflow specifications assume airflow velocities of 250, 350, and 500 ft/min. If your application requires airflows near the High maximum, we recommend "sizing up" to a larger unit. As airflow velocity increases, the pressure drop across the filter increases exponentially (square of the velocity).