

SDUB SERIES - DIRECT DRIVE UPBLAST SPUN ALUMINUM EXHAUSTERS



Canarm certifies that the SDUB Series shown herein are licensed to bear the AMCA Seal. The ratings shown are based on tests and procedures performed in accordance with AMCA Publications 211 & 311 and comply with the requirements of the AMCA Certified Ratings Programme.



PERFORMANCE SPECIFICATIONS

TYPICAL MAXIMUM CFM @ SP				
MODEL	1/2" SP	1" SP	1 1/2" SP	2" SP
SDUB-10	340	--	--	--
SDUB-12	450	75	--	--
SDUB-30	1150	850	300	--
SDUB-33	1100	750	--	--
SDUB-50	1750	1500	1100	--
SDUB-85	3100	2700	2200	1600

FOR FAN CURVES & FULL PERFORMANCE DATA, CONSULT OUR DELAIR SOFTWARE. DOWNLOAD DELAIR @ WWW.CANARM.COM/DELAIR

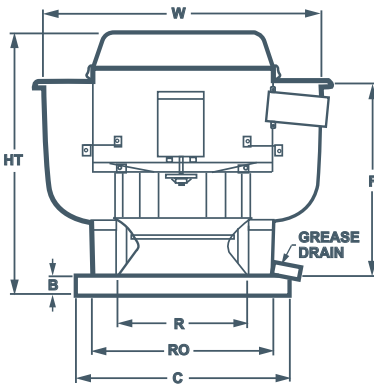
FEATURES

- Heavy duty construction, durable and weather resistant.
- Non-overloading backward inclined wheels, blades and inlets fabricated from 3003-H14 aluminum.
- Wall mount applications (all units)
- Variable speed motor control (single phase only).
- External disconnect switch - standard.
- Quick release latches for easy motor access.
- Optional grease collection box.
- ETL listed for compliance with UL 705 & UL 762 standards.



EXTERNAL DISCONNECT SWITCH BOX

DIMENSIONS



MODEL	WHEEL DIAMETER	HT	W	B	C	F	R	RO	MOTOR HP (115V)	UNIT WEIGHT (LBS)
SDUB-10	9"	14 1/2"	17 3/4"	2"	19"	9 1/2"	8 1/8"	15 1/2"	1/12	40
SDUB-12	10 1/2"	18"	22"	2"	19"	14 1/2"	10 5/8"	15 1/2"	1/7	40
SDUB-30	11 3/4"	24 3/4"	25 1/2"	2"	21"	18 1/2"	12 1/8"	17 1/2"	1/4	50
SDUB-33	11 3/4"	24 3/4"	25 1/2"	2"	21"	18 1/2"	12 1/8"	17 1/2"	1/3	50
SDUB-50	13 3/4"	26 3/4"	28 7/8"	2"	21"	21 1/2"	13 1/4"	17 1/2"	1/2	55
SDUB-85	15 3/4"	30 1/2"	31 7/8"	2"	24 3/4"	23"	14 7/8"	21"	3/4	60

OPTIONS

- Gravity damper (UL 705 only)
- Motorized damper (UL 705 only)
- Wall mount sleeve.
- Roof curb (vented & non-vented).
- Grease collection box.
- Bird screen (UL 705 only)
- Base hinging kit or hinged sub-base (for NFPA96 compliance)

RELATED MODELS



SBRM
Belt Drive Upblast Spun Aluminum Exhauster



SB
Belt Drive Downblast Spun Aluminum Exhauster



SD
Direct Drive Downblast Spun Aluminum Exhauster